

IMPORTANT  
READ CAREFULLY BEFORE USE  
KEEP IN SAFE PLACE READY TO CONSULT AT LATER DATE



MADE  
IN  
GERMANY

Translation of the original operating instructions  
for KETTLER pedelegs



**BOSCH**

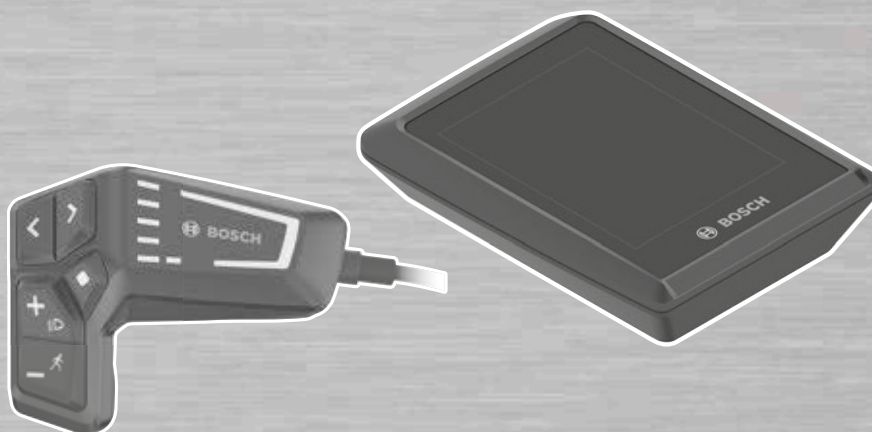
KETTLER B-750 FS1

KB196-xxKD



KETTLER B-750 FS2

KB197-xxKD



# Contents

<b>1</b>	<b>About these operating instructions</b>	
1.1	Manufacturer	11
1.2	Laws, standards and directives	11
1.3	Language	11
1.4	For your information	11
1.4.1	Warnings	11
1.4.2	Markups	11
1.5	Type number and model	12
1.6	Frame number	12
1.7	Identifying the operating instructions	12
1.8	Aim of the operating instructions	13
<b>2</b>	<b>Safety</b>	
2.1	Residual risk	14
2.1.1	Risk of fire and explosion	14
2.1.2	Electric shock	16
2.1.3	Risk of a crash	16
2.1.4	Risk of amputation	16
2.1.5	Key breaking off	16
2.1.6	Malfunctions due to Bluetooth®	17
2.1.7	Data privacy information	17
2.2	Toxic substances	18
2.2.1	Toxic substances	18
2.2.2	Irritants and corrosive substances	18
2.3	Requirements for the rider	18
2.4	Vulnerable groups	18
2.5	Personal protective equipment	19
2.6	Safety guards	19
2.7	Safety markings and safety instructions	19
2.8	What to do in an emergency	20
2.8.1	Dangerous situation in road traffic	20
2.8.2	Leaked brake fluid	20
2.8.3	Battery vapour emission	21
2.8.4	Battery fire	21
2.9	Toxic substances	22
2.9.1	Carcinogenic substances	22
2.9.2	Toxic substances	22
2.9.3	Irritants and corrosive substances	22
2.10	Requirements for the pedelec rider	23
2.11	Vulnerable groups	23
2.12	Personal protective equipment	23
2.13	Safety guards	23
2.14	Safety markings and safety instructions	24
2.15	What to do in an emergency	24
2.15.1	Dangerous situation in road traffic	24
2.15.2	Leaked brake fluid	24
2.15.3	Battery vapour emission	25
2.15.4	Battery fire	25
2.15.5	Oil and lubricant leaks from the rear frame damper	25
2.15.6	Oil and lubricant leaks from the fork	25
2.15.7	Lubricant leaking from the eightpins suspension seat post	26
<b>3</b>	<b>Description</b>	
3.1	Proper use	27
3.1.1	Improper use	28

---

3.1.2	Permitted total weight (PTW)	29
3.1.3	Environmental requirements	30
3.2	Nameplate	32
3.3	Components	33
3.3.1	Overview	33
3.3.2	Chassis	34
3.3.2.1	Frame	34
3.3.2.2	Steering system	34
3.3.2.3	Steering headset	34
3.3.2.4	Stem	34
3.3.2.5	Handlebars	35
3.3.2.6	Fork	35
3.3.3	Suspension	36
3.3.3.1	Rigid fork	36
3.3.3.2	Suspension fork	36
3.3.4	Wheel	40
3.3.4.1	Tyres	40
3.3.4.2	Tube-type tyre	40
3.3.4.3	Rim	42
3.3.4.4	Valve	42
3.3.4.5	Spoke	43
3.3.4.6	Spoke nipples	43
3.3.5	Brake	44
3.3.5.1	Mechanical brake	44
3.3.5.2	Hydraulic brake	44
3.3.5.3	Disc brake	45
3.3.6	Seat post	46
3.3.6.1	Patent seat post	46
3.3.6.2	Suspension seat post	46
3.3.7	Mechanical drive system	47
3.3.7.1	Chain drive layout	47
3.3.7.2	Parts of a belt drive	47
3.3.8	Electric drive system	48
3.3.8.1	Motor	48
3.3.8.2	Charger	48
3.3.8.3	Lighting	48
3.3.8.4	Rechargeable battery	49
3.3.9	On-board computer	50
3.3.9.1	Display	50
3.4	Description of controls and screens	51
3.4.1	Handlebars	51
3.4.2	Control panel	52
3.4.2.1	System message	53
3.4.2.2	Creating a user account	54
3.4.2.3	Software updates	54
3.4.2.4	Activity tracking	54
3.4.2.5	Lock function	54
3.4.3	Display	55
3.4.3.1	Start screen	55
3.4.3.2	Status screen	56
3.4.3.3	TRIP screen	57
3.4.3.4	Range screen	57
3.4.3.5	Fitness screen	58
3.4.3.6	ABS screen	58
3.4.3.7	Settings	59
3.4.4	Battery level indicator (battery)	60
3.4.5	Gear shift	61
3.4.5.1	SHIMANO derailleur gears	61
3.4.6	Handbrake	62

3.4.7	Fork lock	63
3.4.7.1	SR Suntour	63
3.5	Technical data	64
3.5.1	Pedelec	64
3.5.2	Emissions	64
3.5.3	Display mount	64
3.5.4	LED Remote on-board computer	64
3.5.5	BOSCH Kiox 300 display	64
3.5.6	BOSCH Performance Line CX motor	64
3.5.7	Rechargeable battery	65
3.5.7.1	BOSCH PowerTube 500	65
3.5.7.2	BOSCH PowerTube 625	65
3.5.7.3	PowerTube 750 battery	65
3.5.8	ABS	65
3.5.9	Bicycle lighting	65
3.5.10	KETTLER B-750 FS1 components	66
3.5.11	KETTLER B-750 FS2 components	68
3.5.12	Torque	70
<b>4</b>	<b>Transporting and storing</b>	
4.1	Weight and dimensions for transportation	81
4.2	Designated handles, lifting points	81
4.3	Transporting	82
4.3.1	Using the transport securing system	82
4.3.2	Transporting the pedelec	82
4.3.3	Shipping a pedelec	82
4.3.4	Transporting the battery	82
4.3.5	Shipping the battery	82
4.4	Storing	83
4.4.1	Pedelec	83
4.4.2	On-board computer, display and charger	83
4.4.3	Rechargeable battery	83
4.4.4	Break in operation	84
4.4.4.1	Preparing a break in operation	85
4.4.4.2	Carrying out a break in operation	85
<b>5</b>	<b>Assembly</b>	
5.1	Unpacking	86
5.2	Required tools	86
5.3	Commissioning	87
5.3.1	Checking the battery	87
5.3.2	Preparing the wheel	88
5.3.3	Installing the wheel in the SUNTOUR fork	89
5.3.3.1	Screw-on axle (12AH2 and 15AH2)	89
5.3.3.2	20 mm cross axle	90
5.3.3.3	Q-LOC quick release	92
5.3.4	Fitting the pedals	93
5.3.5	Adjusting the LIMOTEC seat post	94
5.3.6	Checking the stem and handlebars	95
5.3.6.1	Checking the connections	95
5.3.6.2	Checking stem is firmly in position	95
5.3.6.3	Checking the bearing clearance	95
5.4	Selling the pedelec	95
<b>6</b>	<b>Operation</b>	
6.1	Risks and hazards	96
6.2	Tips for a greater range	98
6.3	Error message	99



6.3.1	On-board computer	99
6.3.1.1	Critical errors	99
6.3.1.2	Less critical errors	99
6.3.2	Rechargeable battery	99
6.4	Instruction and customer service	101
6.5	Adjusting the pedelec	101
6.5.1	Preparing	101
6.5.2	Pedelec adjustment procedure	102
6.5.3	Riding position	103
6.5.3.1	Straighten saddle	105
6.5.3.2	Positioning the saddle with eightpins suspension seat post	105
6.5.3.3	Adjusting the saddle height	106
6.5.3.4	Setting the saddle height with the remote control	107
6.5.3.5	Adjusting the saddle position	108
6.5.3.6	Adjusting the saddle tilt	108
6.5.3.7	Checking saddle stability	108
6.5.4	Handlebars	109
6.5.4.1	Replace handlebars	109
6.5.4.2	Adjusting the handlebar width	109
6.5.4.3	Adjusting the hand position	109
6.5.4.4	Adjusting the handlebars	110
6.5.5	Stem	111
6.5.5.1	Replacing the handlebars	111
6.5.5.2	Adjusting the handlebar height with quick release	111
6.5.5.3	Checking the stem stability	111
6.5.5.4	Adjusting the quick release clamping force	111
6.5.5.5	Setting the quill stem	112
6.5.5.6	Adjusting the Ahead stem	112
6.5.5.7	Adjusting the angle-adjustable stem	113
6.5.6	Handles	114
6.5.6.1	Replacing the handles	114
6.5.6.2	Adjusting ergonomic handles	114
6.5.6.3	Checking handlebar stability	114
6.5.7	Tyres	115
6.5.7.1	Adjust tyre pressure	115
6.5.8	Brake	116
6.5.8.1	Change handbrake position	116
6.5.8.2	Change handbrake inclination angle	116
6.5.8.3	Determining the grip distance	117
6.5.8.4	Replacing brakes	118
6.5.8.5	Retracting the brake linings	118
6.5.9	Tyres	119
6.5.9.1	Adjust tyre pressure	119
6.5.9.2	Replacing tyres	120
6.5.9.3	Grip distance on a SHIMANO ST-EF41 brake lever	121
6.5.9.4	Grip distance on a SHIMANO ST-EF41 handbrake	122
6.5.10	Suspension	123
6.5.11	Fork sag	123
6.5.11.1	ROCKSHOX Paragon Silver coil spring	124
6.5.11.2	Adjusting the RockShox coil spring with an external preload adjuster	126
6.5.11.3	Adjusting the ROCKSHOX fork coil spring with spacer for pre-tensioning	127
6.5.12	Adjust the rear frame damper sag	129
6.5.12.1	Adjusting the RockShox rear frame damper	130
6.5.13	Adjusting the rear frame damper rebound damper	132
6.5.14	Fork rebound damping	133
6.5.14.1	Adjusting the RockShox suspension fork	134
6.5.14.2	Adjusting the RockShox rear frame damper	135
6.5.15	Compression adjuster on rear frame damper	136
6.5.15.1	Adjusting the RockShox compression adjuster	137

---

6.5.15.2	Adjusting the RockShox threshold	138
6.5.16	Riding light	139
6.5.16.1	Adjusting the headlight	140
6.5.17	On-board computer	141
6.5.17.1	Creating a user account	141
6.5.17.2	Connecting the on-board computer with the smartphone	141
6.5.17.3	Update software	141
6.5.17.4	Activating activity tracking	141
6.5.17.5	Setting up the lock function (optional)	141
6.5.17.6	Inserting the display	142
6.5.17.7	Securing the on-board computer (optional)	142
6.5.17.8	Removing the on-board computer	142
6.5.17.9	Adjust on-board computer	143
6.5.17.10	Adjust on-board computer	144
6.5.17.11	Selects the language	144
6.5.17.12	Adjusting the clock	144
6.5.17.13	Adjusting the time format	144
6.5.17.14	Selecting units	144
6.5.17.15	Setting the brightness	144
6.5.17.16	Reset settings	145
6.6	Accessories	146
6.6.1	Child seat	146
6.6.2	Trailer	147
6.6.2.1	Approval for trailer with Enviolo hub	147
6.6.2.2	Approval for trailer with ROHLOFF hub	148
6.6.3	Pannier rack	148
6.6.4	Panniers and cargo boxes	148
6.6.5	Front baskets	149
6.6.6	Bar ends	149
6.6.7	Kickstands	149
6.6.8	Additional battery headlight	149
6.6.9	Mobile holder	149
6.6.10	Suspension fork coil spring	149
6.6.11	Fixed weather protection systems	149
6.7	Personal protective equipment and accessories for road safety	150
6.8	Before each ride	150
6.9	Straightening the quickly adjustable stem	151
6.10	Using the pannier rack	151
6.11	Raising the kickstand	152
6.12	Using the saddle	152
6.12.1	Using the leather saddle	152
6.13	Using the pedals	152
6.14	Setting the saddle height with the remote control	153
6.14.1	Lowering the saddle	153
6.14.2	Raising the saddle	153
6.15	Using the bell	153
6.16	Using the handlebars	153
6.16.1	Using multi-position handlebars	153
6.16.2	Using bar ends	154
6.16.3	Using leather handles	154
6.17	Using the battery	155
6.17.1	Using the integrated battery	155
6.17.1.1	Removing the integrated battery	155
6.17.1.2	Inserting the integrated battery	155
6.17.2	Frame battery	156
6.17.2.1	Removing the frame battery	156
6.17.2.2	Inserting the frame battery	156
6.17.3	Charging the battery	156
6.18	Using the electric drive system	157

6.18.1	Switching on the electric drive system	157
6.18.2	Switching off the electric drive system	157
6.19	Using the on-board computer	158
6.19.1	Using the diagnosis port	158
6.19.2	Charging the control panel battery	158
6.19.3	Using the riding light	159
6.19.4	Setting the brightness of indicators	159
6.19.5	Using the push assist system	159
6.19.6	Selecting the level of assistance	160
6.20	Brake	161
6.20.1	Using the brake lever	161
6.21	Gear shift	162
6.21.1	Using the derailleur gears	162
6.22	Use suspension and damping	163
6.22.1	Locking the suspension	163
6.22.1.1	Locking the SR SUNTOUR suspension fork	163
6.22.2	Adjusting the suspension fork compression damper	164
6.22.2.1	Using SR Suntour high-speed compression damping	165
6.22.2.2	Using the SR Suntour low-speed compression damping	166
6.22.2.3	Adjusting the RockShox compression adjuster	167
6.23	Parking the pedelec	168
6.23.1	Screwing in the quickly adjustable stem	169
6.23.2	Activating the lock function	170

## 7 Cleaning, maintenance and inspection

7.1	Before each ride	175
7.1.1	Checking the guards	175
7.1.2	Checking the frame	175
7.1.3	Checking the fork	175
7.1.4	Checking the rear frame damper	175
7.1.5	Checking the pannier rack	175
7.1.6	Checking the mudguards	175
7.1.7	Check wheel concentricity	175
7.1.8	Checking the quick releases	175
7.1.9	Checking the suspension seat post	176
7.1.10	Checking the bell	176
7.1.11	Checking the handles	176
7.1.12	Checking the USB cover	176
7.1.13	Checking the riding light	176
7.1.14	Checking the brake	176
7.2	After each ride	177
7.2.1	Cleaning the riding light and reflectors	177
7.2.2	Cleaning the suspension fork	177
7.2.3	Maintaining the suspension fork	177
7.2.4	Cleaning the pedals	177
7.2.5	Cleaning the brake	177
7.2.6	Cleaning the suspension seat post	177
7.2.7	Cleaning the rear frame damper	177
7.3	Basic cleaning	178
7.3.1	Cleaning the on-board computer and control panel	178
7.3.2	Cleaning the battery	178
7.3.3	Cleaning the motor	178
7.3.4	Cleaning the frame, fork, pannier rack, guards and kickstand	179
7.3.5	Cleaning the stem	179
7.3.6	Cleaning the handlebars	179
7.3.7	Cleaning the handles	179
7.3.7.1	Cleaning leather handles	179
7.3.8	Cleaning the seat post	179
7.3.9	Cleaning the saddle	180

---

7.3.9.1	Cleaning the leather saddle	180
7.3.10	Cleaning the tyres	180
7.3.11	Cleaning the spokes and spoke nipples	180
7.3.12	Cleaning the hub	180
7.3.13	Cleaning the switching elements	180
7.3.14	Cleaning the SRAM AXS rear derailleur	180
7.3.14.1	Cleaning the shifter	181
7.3.15	Cleaning the cassette, chain wheels and front derailleur	181
7.3.16	Cleaning the brake	181
7.3.16.1	Cleaning the handbrake	181
7.3.17	Cleaning the brake disc	181
7.3.18	Cleaning the belt	181
7.3.19	Cleaning the chain	182
7.3.19.1	Cleaning the chain, including all-round chain guard	182
7.4	Maintenance	183
7.4.1	Maintain frame	183
7.4.2	Maintain fork	183
7.4.3	Maintain pannier rack	184
7.4.4	Maintain mudguard	184
7.4.5	Servicing the kickstand	184
7.4.6	Maintaining the stem	184
7.4.7	Maintaining the handlebars	184
7.4.8	Maintaining the handles	185
7.4.8.1	Maintaining rubber handles	185
7.4.8.2	Maintaining the leather handles	185
7.4.9	Maintaining the seat post	185
7.4.9.1	Maintaining the suspension seat post	185
7.4.9.2	Maintaining the carbon seat post	185
7.4.10	Maintaining the rims	185
7.4.11	Maintaining the leather saddle	185
7.4.12	Maintaining the hub	186
7.4.13	Maintaining the spoke nipples	186
7.4.14	Maintaining the gear shift	186
7.4.14.1	Maintaining the rear derailleur articulated shafts and jockey wheel	186
7.4.14.2	Maintaining the shifter	186
7.4.15	Maintaining the pedals	186
7.4.16	Maintaining the chain	187
7.4.16.1	Maintaining the chain and all-round chain guard	187
7.4.17	Maintaining the battery	187
7.4.18	Maintaining the brake	188
7.4.18.1	Maintaining the handbrake	188
7.4.19	Lubricating the Eightpins seat post tube	188
7.5	Inspection	189
7.5.1	Checking the wheel	189
7.5.1.1	Checking tyre pressure	189
7.5.1.2	Checking the tyres	191
7.5.1.3	Checking the rims	192
7.5.1.4	Checking the nipple holes	192
7.5.1.5	Checking the nipple well	192
7.5.1.6	Checking the rim hooks	192
7.5.1.7	Checking the spokes	192
7.5.2	Checking the brake system	193
7.5.2.1	Checking the handbrake	193
7.5.2.2	Checking the hydraulic brake system	193
7.5.2.3	Checking the Bowden cables	193
7.5.2.4	Checking the disc brake	194
7.5.3	Checking the riding light	195
7.5.4	Checking the chain	196
7.5.4.1	Checking the chain tension	196

7.5.4.2	Checking the belt for wear	196
7.5.5	Checking the stem	198
7.5.6	Checking the handlebars	198
7.5.7	Checking the saddle	198
7.5.8	Checking the seat post	198
7.5.9	Checking the pedal	198
7.5.10	Checking the gear shift	199
7.5.10.1	Checking the electric gear shift	199
7.5.10.2	Checking the mechanical gear shift	199
7.5.10.3	Checking derailleur gears	199
7.5.10.4	Checking the hub gear	199
7.5.10.5	Adjusting the ROHLOFF hub	200
7.5.10.6	Adjusting the cable-operated gear shift, dual-cable	200
7.5.10.7	Adjusting the dual-cable, Bowden-cable-operated twist grip shifter	200
7.5.10.8	Checking kickstand stability	201
<b>8</b>	<b>Inspection and maintenance</b>	
8.1	Initial inspection	202
8.2	Major inspection	202
8.3	Component-specific maintenance	202
8.4	Carry out initial inspection	205
8.5	Perform major inspection	206
8.5.1	Inspect frame	213
8.5.1.1	Inspecting the carbon frame	213
8.5.2	Inspecting the pannier rack	213
8.5.3	Inspecting and maintaining the rear frame damper	213
8.5.4	Inspecting the gear hub	214
8.5.4.1	Adjusting the hub with cone bearing	214
8.5.5	Inspecting the stem	214
8.5.6	Inspect and grease steering headset	214
8.5.7	Inspecting the axle with quick release	215
8.5.8	Inspecting the fork	216
8.5.8.1	Inspecting the carbon suspension fork	216
8.5.8.2	Inspecting the suspension fork	216
8.5.9	Inspecting the seat post	217
8.5.9.1	Inspecting the carbon seat post	217
8.5.9.2	Inspecting and greasing BY.SCHULZ suspension seat post	217
8.5.9.3	Inspecting and greasing RS SUNTOUR suspension seat post	218
<b>9</b>	<b>Troubleshooting, fault clearance and repair</b>	
9.1	Troubleshooting and fault clearance	219
9.1.1	Drive system or on-board computer does not start up	219
9.1.2	Errors in assistance function	220
9.1.3	Battery errors	221
9.1.4	Display screen errors	222
9.1.5	Lighting does not work	222
9.1.6	Other errors	223
9.1.7	Lighting does not work	224
9.1.8	Problems with the tyres	224
9.1.9	Problems with the seat post	224
9.1.10	RockShox suspension fork	225
9.1.10.1	Rebound too fast	225
9.1.10.2	Rebounding too slowly	226
9.1.10.3	Suspension too soft on inclines	227
9.1.10.4	Excessively hard damping on bumps	228
9.1.11	Correcting faults in the ROCKSHOX rear frame damper	229
9.1.11.1	Rebound too fast	229
9.1.11.2	Rebounding too slowly	230
9.1.11.3	Suspension too soft on inclines	231

---

9.1.11.4	Excessively hard damping on bumps	232
9.2	Repairs at the specialist dealer	233
9.2.1	Original parts and lubricants	233
9.2.2	Repairing the frame	233
9.2.2.1	Removing paint damage on frame	233
9.2.2.2	Removing damage from impact on the carbon frame	233
9.2.3	Repairing the suspension fork	233
9.2.3.1	Removing paint damage on the fork	233
9.2.3.2	Removing damage from impact on the carbon frame	233
9.2.3.3	Repairing the seat post	233
9.2.3.4	Repairing damage from impact on the carbon seat post	233
9.2.4	Replacing the riding light	234
9.2.5	Adjusting the headlight	234
9.2.6	Checking suspension fork-tyre clearance	234
9.2.7	Replacing pedelec components if lock function is installed	235
9.2.7.1	Replacing a smartphone	235
9.2.7.2	Replacing the on-board computer	235
9.2.7.3	Activating the lock function after motor replacement	235
<b>10</b>	<b>Recycling and disposal</b>	
10.1	Guidelines on removal of waste	236
<b>11</b>	<b>Documents</b>	
11.1	Assembly report	238
11.2	Inspection and maintenance log	240
11.3	Parts list	244
11.4	Charger operating instructions	246
11.5	Tyre size table	253
<b>12</b>	<b>Glossary</b>	
12.1	Abbreviations	259
12.2	Simplified terms	259
<b>13</b>	<b>Appendix</b>	
I.	Directive declaration of conformity with RED Directive	260
II.	CE Declaration of Conformity	260
<b>14</b>	<b>Keyword index</b>	

## Thank you for your trust!

KETTLER *pedelecs* are premium quality vehicles. You have made an excellent choice. Your specialist dealer will provide you with guidance and instruction and assemble your product. Your specialist dealer will also be happy to assist you in the future, whether you require maintenance, a retrofit or repair.

Your new pedelec comes with these operating instructions. Please take time to become familiar with your new pedelec. Use the tips and suggestions in the operating instructions. They will help you to enjoy your pedelec for a long time to come. We hope you have fun and wish you well on all of your rides!

Download the operating instructions onto your phone at the following link, so that you can use them when you are out riding:



<https://www.kettler-alu-rad.de/gb/en/index/service.html>.

## Copyright

© KETTLER Alu-Rad GmbH

Distribution or reproduction of these operating instructions and utilisation or communication of their content is prohibited unless expressly approved. Anyone who does not comply with these restrictions is liable for compensation. All rights reserved in the event that a patent, utility model or industrial design is registered.

## Subject to internal changes

The information contained in these *operating instructions* are the approved technical specifications at the time of printing. In addition to the functions described here, the software may be modified at any time to rectify errors and extend functions.

Any significant changes are included in a new published version of the operating instructions. All changes and new versions of the operating instructions are published on the following website:

<https://www.kettler-alu-rad.de/de/de/index/service/downloads.html>

## Editing

Text and images:  
ZEG Zweirad-Einkaufs-Genossenschaft eG  
Longericher Strasse 2  
50739 Köln  
Germany

## Translation

ElaN Languages  
Bahnhofstrasse 27  
78713 Schramberg  
Germany

**If you have any questions or problems regarding these operating instructions, please contact:**

[tecdoc@zeg.de](mailto:tecdoc@zeg.de)

# 1 About these operating instructions

## 1.1 Manufacturer

Atala spa  
Via Della Guerrina, 108  
MONZA (MB), 20900, Italy

Tel.: +39 2651030278  
Fax: [www.atala.it/en/](http://www.atala.it/en/)  
E-mail: [info@kettler-alu-rad.de](mailto:info@kettler-alu-rad.de)

## 1.2 Laws, standards and directives

The *operating instructions* comply with the essential requirements specified in:




- Machinery Directive 2006/42/EC
- Electromagnetic Compatibility Directive 2014/30/EU
- ISO 20607:2018 Safety of machinery – Instruction handbook – General drafting principles
- EN 15194:2018 Cycles – Electrically power assisted cycles – pedelec bicycles
- EN 11243:2016 Cycles – Pannier racks for bicycles – Requirements and test methods
- ISO 17100:2016-05 Translation Services – Requirements for translation services.

## 1.3 Language

The *original operating instructions* are written in German. A translation is invalid without the *original operating instructions*.

## 1.4 For your information

Different markings are used in the operating instructions to make them easier to read.

	Text for specialist dealers
	Notice on replacing components
	Notice on fitness

## 1.4.1 Warnings

Warnings indicate hazardous situations and actions. You will find three categories of warnings in the operating instructions:



May lead to serious or even fatal injuries if ignored. Medium-risk hazard.



May lead to minor or moderate injuries if ignored. Low-risk hazard.



May lead to material damage if ignored.

## 1.4.2 Markups

You will find ten text markups in the *operating instructions*:

Stylised form	Use
<i>Italics</i>	Glossary term, first mention in section
<u>Underlined in blue</u>	Link
<u>Underlined in grey</u>	Cross references
✓	Requirements
▶	Instructions for actions without specific order
1	Instructions for actions in specified order
⇒	Result of the action
SPACED	Indicators on the display screen
•	Bulleted lists
<i>Only applies to pedelecs with this equipment</i>	A notice beneath the heading indicates components which can be used as an option.

Table 1: Markups



## 1.5 Type number and model

These operating instructions are an integral part of pedelecs with the type numbers:

Type no.	Model	Pedelec type
KB196-xxKD	KETTLER B-750 FS1	Mountain bike
KB197-xxKD	KETTLER B-750 FS2	Mountain bike

**Table 2: Type number, model and pedelec type**

## 1.6 Frame number

Each frame has an individual frame number stamped on it (see Figure 2). The frame number can be used to associate the pedelec with the owner. The frame number is the most important identifier for verifying ownership.

## 1.7 Identifying the operating instructions

The operating instructions identification number is located in bottom left-hand corner of each page.

The identification number is composed of the document number, the version number and the release date.

<b>Identification number</b>	MY22 K0b - 62_1.0_18.10.2023
------------------------------	------------------------------

## 1.8 Aim of the operating instructions

These operating instructions are not a substitute for personal instruction by the specialist dealer supplying the bike. These operating instructions are an integral part of the pedelec. Therefore, if it is re-sold at a later time, they must be handed over to the subsequent owner.

These operating instructions are mainly designed for riders and operators of the pedelec.

Paragraphs with a white background are intended to enable non-professionals to make safe settings on the pedelec, use it, clean it and identify and eliminate any faults.



Sections intended for technical staff are highlighted in blue and marked with a spanner symbol.

These paragraphs aim to allow trained technical staff (bicycle mechatronics engineers, bicycle mechanics or similar) to carry out initial assembly, adjustment, maintenance and repair safely.

Technical staff also need to read all sections for riders and operators to ensure they can provide a better customer service.

All documents in Section 11 need to be filled out whenever any work is performed on the vehicle (assembly report, maintenance report).

Section		Rider	Specialist dealer
1	About these instructions	<input type="checkbox"/>	<input type="checkbox"/>
2	Safety	<input type="checkbox"/>	<input type="checkbox"/>
3	Description	<input type="checkbox"/>	<input type="checkbox"/>
4	Transportation and storage	<input type="checkbox"/>	<input type="checkbox"/>
5	Assembly and installation	<input type="checkbox"/>	<input type="checkbox"/>
6	Operation	<input type="checkbox"/>	<input type="checkbox"/>
7	Cleaning and servicing	<input type="checkbox"/>	<input type="checkbox"/>
8	Maintenance	<input type="checkbox"/>	<input type="checkbox"/>
9.1	Troubleshooting and fault clearance	<input type="checkbox"/>	<input type="checkbox"/>
9.2	Repair	<input type="checkbox"/>	<input type="checkbox"/>
10	Disassembly and disposal	<input type="checkbox"/>	<input type="checkbox"/>
11	Documents	<input type="checkbox"/>	<input type="checkbox"/>
12	Glossary	<input type="checkbox"/>	<input type="checkbox"/>
13	Appendix	<input type="checkbox"/>	<input type="checkbox"/>
14	Keyword index	<input type="checkbox"/>	<input type="checkbox"/>

Table 3: Target groups-section matrix

## 2 Safety

### 2.1 Residual risk

Pedelecs pose the following residual risks:

- Risk of fire and explosion
- Electric shock
- Risk of a crash
- Risk of amputation
- Key breaking off
- Malfunctions due to Bluetooth®



#### 2.1.1 Risk of fire and explosion

##### Never charge if there is a critical fault

If a charger is connected to the drive system when a critical error is reported, the battery may be damaged permanently and may catch fire.

- ▶ Connect charger to fault-free electric drive system only.

##### Protect against penetrating water

The battery is only protected from spray water. Penetration by water can cause a short circuit. The battery may self-ignite and explode.

- ▶ Never immerse battery in water.
- ▶ Take battery out of service if you suspect water has penetrated it.

##### Avoid heat

Temperatures over 60 °C can also cause liquid to leak from the battery and the battery will become damaged. The battery may self-ignite and explode.

- ▶ Protect the battery against heat.
- ▶ Never store next to hot objects.
- ▶ Never expose battery to continuous direct sunlight.
- ▶ Avoid wide temperature fluctuations.

##### Never use incorrect charger

Chargers with excessive voltage damage batteries. This may cause a fire or an explosion.

- ▶ Only use approved batteries to charge.

##### Prevent short circuit due to interconnection

Metal objects may interconnect the battery's electrical terminals. The battery may self-ignite and explode.

- ▶ Never insert paper clips, screws, coins, keys and other small parts into the battery.
- ▶ Place the battery on clean surfaces only. Prevent charging socket and contacts against contamination from dirt, sand and similar.

##### Handling a damaged or faulty battery

Faulty batteries are hazardous goods. These include:

- Cells or batteries which have been identified as faulty for safety reasons;
- Batteries which have leaked or discharged gas;
- Cells or batteries which have sustained external or physical damage;
- Cells or batteries which have not yet undergone a safety test.

The safety electronics may fail if the batteries are damaged or faulty. The residual voltage can cause a short circuit. The battery may self-ignite and explode.

- ▶ Only use and charge battery and accessories if they are in perfect condition.
- ▶ Never open or repair the battery.
- ▶ Batteries with external damage must be removed from service immediately.
- ▶ If a battery is dropped or struck, remove it from service and keep it under observation for at least 24 hours.
- ▶ Contact specialist dealer.

## Storing faulty batteries

Your specialist dealer will dispose of faulty batteries.

▶ Take faulty batteries to your specialist dealer.



▶ Store the battery in a safety container in a dry place as per special regulations (ADR SV 376, P908) until you dispose of it.



Figure 1: Example of a safety container

▶ Never store near flammable substances.

▶ Dispose of faulty batteries in the correct manner.

## Avoid overheating in the charger

The charger heats up when charging the battery. If the battery is not allowed to cool down sufficiently, it can cause a fire or burns to the hands.

▶ Never use charger on a highly flammable surface.

▶ Never cover the charger during charging.

▶ Never leave battery unattended during charging.

## Cool down overheated brakes and motors

The brakes and the motor may become very hot during operation. There is a risk of burns or fire in case of contact.

▶ Never touch the brakes or the motor immediately after a ride.

▶ Never place the pedelec on a flammable surface, such as grass or wood, directly after use.

### 2.1.2 Electric shock



#### Never use damaged network components

Damaged chargers, cables and plug connectors increase the risk of electric shock.

- ▶ Check the charger, cable and plug connector before each use. Never use a damaged charger.

#### Avoid water penetrating

If water penetrates into the charger, there is a risk of electric shock.

- ▶ Use the charger indoors only.

#### Dealing with condensate

Condensation may form in the charger and in the battery when the temperature changes from cold to hot, causing a short circuit.

- ▶ Wait until both charger and battery are at room temperature before connecting them.

### 2.1.3 Risk of a crash



#### Adjust quick release correctly

Excessively high clamping force will damage the quick release and cause it to lose its function. Insufficient clamping force will result in unfavourable transmission of force. This can cause components to break. This will cause a crash with injuries.

- ▶ Never fasten a quick release using a tool (e.g. hammer or pliers).
- ▶ Only use the clamping lever with the specified set clamping force.

### Use correct tightening torque

If a screw is fastened too tightly, it may break. If a screw is not fastened enough, it may loosen. This will cause a crash with injuries.

- ▶ Always observe the indicated tightening torque on the screw or in Section 3.5.

### Use approved brake only

The wheels are designed exclusively for use with rim brakes or disc brakes. The wheel may break if an incorrect brake is used. This will cause a crash with injuries.

- ▶ Only use the approved brakes on the wheel.

### 2.1.4 Risk of amputation



The brake disc in disc brakes is so sharp that it can cause serious injuries to fingers if they are inserted into the brake disc openings.

The chain wheels and belt sprockets can draw in fingers, thus causing serious injuries to fingers.

- ▶ Always keep fingers well away from rotating brake discs and the chain or belt drive.

### 2.1.5 Key breaking off

If you leave a key inserted when riding or transporting the pedelec, it may break off or the locking system may open accidentally.

- ▶ Pull the key from the battery lock.

### 2.1.6 Malfunctions due to Bluetooth®

If you use the on-board computer with Bluetooth® and/or Wi-Fi®, it may cause interference with other devices, other equipment, aircraft, and medical devices, such as pacemakers and hearing aids.

Likewise, it cannot be completely ruled out that you will cause harm to people and animals in the immediate vicinity.

- ▶ Never use the pedelec with Bluetooth® when in close proximity to medical devices, filling stations, chemical plants, areas at risk of explosion and in blasting zones.
- ▶ Never use pedelec with Bluetooth® in aircraft.
- ▶ Avoid operating for longer periods in close proximity to the body.

### 2.1.7 Data privacy information

When the pedelec is connected to the BOSCH diagnosis tool 3, data is transferred to BOSCH eBike Systems (Robert Bosch GmbH) on the use of the Bosch drive unit, including its energy consumption and temperature, to help improve the product.

You will find more information on the Bosch eBike website:

[www.bosch-ebike.com](http://www.bosch-ebike.com).

## 2.2 Toxic substances

If substances are released or used which pose a risk to people and the environment, effective protective measures must be taken.

Possible hazards, contamination and health hazards due to:

- Carcinogenic, germ-cell-mutagenic and reproduction-toxic substances
- Toxic substances
- Irritants (skin, respiratory system) and corrosive substances

### What might happen?

- Serious harmful effects to health
- Threat to life
- Hazard to bystanders due to carry-over and contamination, including in personal sphere



### 2.2.1 Toxic substances

Toxic substances (also known as poison or toxins) refer to substances which can cause damage to living beings if they enter the organism above a specific low dose. The more the ingested amount of a toxic substance increases, the greater the likelihood of damage to health due to poisoning is. This can lead to death.

### Brake fluid

Brake fluid may leak out after an accident or due to material fatigue. Brake fluid can be fatal if swallowed or inhaled.

- ▶ Never dismantle the brake system.
- ▶ Avoid contact with skin.
- ▶ Do not inhale vapours.



### 2.2.2 Irritants and corrosive substances

Corrosive substances (also known as corrosives) destroy living tissue or attack surfaces. Corrosive substances may be in solid, liquid or gaseous form.

Irritants are hazardous substances which irritate the skin and mucous membranes once you come into contact with them. This may cause inflammation of the affected areas.

### Defective battery

Liquids and vapours may leak from damaged or faulty batteries. Excessively high temperatures may also cause liquids and vapours to leak from the battery. Such liquids and vapours can irritate the airways and cause burns.

- ▶ Never dismantle the battery.
- ▶ Avoid contact with skin.
- ▶ Never inhale vapours.

## 2.3 Requirements for the rider

The rider must have adequate physical, motor and mental abilities to ride on public roads. A minimum age of 14 years is recommended.

## 2.4 Vulnerable groups

- ▶ Keep batteries and the charger away from children and people with reduced physical, sensory or mental capacities or lacking in experience and knowledge.
- ▶ Children and young people must be provided with comprehensive instructions by a legal guardian.

## 2.5 Personal protective equipment

- ▶ Wear a suitable helmet. The helmet must have a reflective strip or a light in a clearly visible colour.
- ▶ Wear sturdy shoes.
- ▶ Wear clothing which is as bright or retroreflective as possible. Fluorescent materials are also suitable. High-visibility jackets and straps on your upper body ensure even greater safety. Never wear a skirt. Always wear trousers which reach down to your ankles instead.
- ▶ Wear gloves when it is cold.

## 2.6 Safety guards

Three safety guards on the pedelec protect riders against heat or moving parts:

- Chain or belt guards prevent clothing from being pulled into the drive train.
  - The motor cover on the motor casing protects against heat.
  - Mudguards protect against dirt and water splashing up from the road.
- ▶ Never remove the guards.
  - ▶ Check the guards on a regular basis.
  - ▶ Take pedelec out of service if a guard is damaged or missing. Contact specialist dealer.

## 2.7 Safety markings and safety instructions

Pedelec and battery nameplates contain the following safety markings and safety instructions:



Symbol	Explanation
	General warning
	Adhere to the instructions for use

Table 4: Safety markings












Symbol	Explanation
	Read the instructions
	Separate collection of electrical and electronic devices
	Separate collection of ordinary and rechargeable batteries
	Must not be thrown into fire (burning prohibited)
	It is forbidden to open any batteries
	Device of protection class II
	Only suitable for use indoors
	Fuse (device fuse)
	EU conformity
	Recyclable material
	Protect from temperatures above 50 °C and direct sunlight

Table 5: Safety instructions



## 2.8 What to do in an emergency

### 2.8.1 Dangerous situation in road traffic

- ▶ If you encounter any hazards or dangers in road traffic, apply the brake on the pedelec until it comes to a halt. The brake acts as an emergency stop system in such cases.

### 2.8.2 Leaked brake fluid

- ▶ Remove those affected from the danger area to fresh air.
- ▶ Never leave those affected unattended.
- ▶ Immediately remove any clothing items contaminated with brake fluid.
- ▶ Never inhale vapours. Ensure sufficient ventilation.
- ▶ Wear gloves and safety glasses as protective equipment.
- ▶ Keep unprotected persons away.
- ▶ Take care with leaked brake fluid as it poses a slip hazard.
- ▶ Keep leaked brake fluid away from naked flames, hot surfaces and sources of ignition.
- ▶ Avoid contact with skin and eyes.

#### If inhaled

- 1 Take in fresh air.
- 2 Immediately consult a doctor in case of any discomfort.

#### After skin contact

- 1 Wash affected skin with soap and water and rinse well.
- 2 Remove contaminated clothing.
- 3 Consult doctor in the event of pain or discomfort.

#### After contact with eyes

- 1 Rinse eyes under flowing water for at least ten minutes with the lids open; also rinse under lids.
- 2 Immediately consult a doctor in case of any pain or discomfort.

#### If swallowed

- 1 Rinse out mouth with water. Never induce vomiting. Risk of aspiration.
- 2 If a person is lying on their back and vomiting, place them in the recovery position.
- 3 Seek medical advice immediately.

#### Environmental protection measures

- ▶ Never allow brake fluid to flow into sewage, water courses or groundwater.
- ▶ Notify the relevant authorities if fluid penetrates the ground, water courses or the sewage system.
- ▶ Dispose of leaked brake fluid in an environmentally responsible way in accordance with statutory regulations (see Section 10.1).
- ▶ The brake system must be repaired immediately if brake fluid leaks out. Contact specialist dealer.

### 2.8.3 Battery vapour emission

Vapours may be emitted if the battery is damaged or used improperly. The vapours may cause respiratory tract irritation.

- 1 Get into fresh air.
- 2 Consult doctor in the event of pain or discomfort.

#### After contact with eyes

- 1 Carefully rinse eyes with plenty of water for at least 15 minutes. Protect unaffected eye.
- 2 Seek medical advice immediately.

#### After skin contact

- 1 Remove any solid particles immediately.
- 2 Remove contaminated clothing immediately.
- 3 Rinse the affected area with plenty of water for at least 15 minutes.
- 4 Then dab the affected skin gently. Do not rub dry.
- 5 Immediately consult a doctor if there is any redness, pain or discomfort.

### 2.8.4 Battery fire

The safety electronics may fail if the battery is damaged or faulty. The residual voltage can cause a short circuit. The battery may self-ignite and explode.

- 1 Keep your distance if the battery becomes deformed or starts to emit smoke.
- 2 If charging, remove the plug connector from the socket.
- 3 Contact the fire service immediately.
  - ▶ Use Class fire extinguishers to put out the fire.
  - ▶ Never extinguish damaged batteries with water or allow them to come into contact with water.

Inhaling vapours can cause intoxication.

- ▶ Stand on the side of the fire where the wind is blowing from.
- ▶ Use breathing apparatus if possible.

## 2.9 Toxic substances

If substances are released or used which pose a risk to people and the environment, effective protective measures must be taken.

Possible hazards, contamination and health hazards due to:

- Carcinogenic, germ-cell-mutagenic and reproduction-toxic substances
- Toxic substances
- Irritants (skin, respiratory system) and corrosive substances

### What might happen?

- Serious harmful effects to health
- Threat to life
- Hazard to bystanders due to carry-over and contamination in the personal environment.



### 2.9.1 Carcinogenic substances

Carcinogenic hazardous substances are substances which can trigger cancer or promotes the formation of cancer. They are classified as categories 1A, 1B and 2 under European hazardous substances legislation and are labelled with the H-phrases codes H350/ H350i and H351. It is essential to carry out a professional risk assessment and select and use suitable protective measures due to the serious consequences for health and the occasionally long period of time it takes before the disease manifests itself.

### Suspension oil

If you come into contact with the suspension oil in the fork, the 8pins seat post or the rear frame damper, it will irritate the respiratory tract and can cause cancer, sterility and changes to the genetic make-up of germ cells oil.

- ▶ Never dismantle the rear frame damper or the suspension fork.
- ▶ It is forbidden for pregnant women to carry out maintenance and cleaning tasks.
- ▶ Avoid skin coming into contact with suspension oil.



### 2.9.2 Toxic substances

Toxic substances (also known as poison or toxins) refer to substances which can cause damage to living beings if they enter the organism above a specific low dose. The more the ingested amount of a toxic substance increases, the greater the likelihood of damage to health due to poisoning is. This can lead to death.

### Brake fluid

Brake fluid may leak out after an accident or due to material fatigue. Brake fluid can be fatal if swallowed or inhaled.

- ▶ Never dismantle the brake system.
- ▶ Avoid contact with skin.
- ▶ Do not inhale vapours.

### Suspension oil

The suspension oil in the fork, the 8pins seat post and the rear frame damper is toxic to the touch.

- ▶ Never dismantle the rear frame damper or the suspension fork.
- ▶ It is forbidden for pregnant women to carry out maintenance and cleaning tasks.
- ▶ Avoid skin coming into contact with suspension oil.



### 2.9.3 Irritants and corrosive substances

Corrosive substances (also known as corrosives) destroy living tissue or attack surfaces. Corrosive substances may be in solid, liquid or gaseous form.

Irritants are hazardous substances which irritate the skin and mucous membranes once you come into contact with them. This may cause inflammation of the affected areas.

## Defective battery

Liquids and vapours may leak from damaged or faulty batteries. Excessively high temperatures may also cause liquids and vapours to leak from the battery. Such liquids and vapours can irritate the airways and cause burns.

- ▶ Never dismantle the battery.
- ▶ Avoid contact with skin.
- ▶ Never inhale vapours.

## 2.10 Requirements for the pedelec rider

The pedelec rider must have adequate physical, motor and mental abilities to ride on public roads. A minimum age of 14 years is recommended.

## 2.11 Vulnerable groups

- ▶ Keep batteries and the charger away from children and people with reduced physical, sensory or mental capacities or lacking in experience and knowledge.
- ▶ Children and young people must be provided with comprehensive instructions by a legal guardian.

## 2.12 Personal protective equipment

- ▶ Wear a suitable helmet. The helmet must have a reflective strip or a light in a clearly visible colour.
- ▶ Wear sturdy shoes which are not too tightly laced.
- ▶ Wear padded cycling gloves.
- ▶ Wear gloves when it is cold.
- ▶ Wear clothing which is as bright or retroreflective as possible. Fluorescent materials are also suitable. High-visibility jackets and straps on your upper body ensure even greater safety. Never wear a skirt. Always wear trousers which reach down to your ankles instead.

## 2.13 Safety guards

Three safety guards on the pedelec protect pedelec riders against heat, dirt or moving parts:

- Chain or belt guards prevent clothing from being pulled into the drive train.
  - The motor cover on the motor casing protects against heat.
  - Mudguards protect against dirt and water splashing up from the road.
- ▶ Never remove the guards.
  - ▶ Check the guards on a regular basis.
  - ▶ Take pedelec out of service if a guard is damaged or missing. Contact specialist dealer.

## 2.14 Safety markings and safety instructions

Pedelec and battery nameplates contain the following safety markings and safety instructions:



Symbol	Explanation
	General warning
	Adhere to the instructions for use

Table 6: Safety markings












Symbol	Explanation
	Read the instructions
	Separate collection of electrical and electronic devices
	Separate collection of ordinary and rechargeable batteries
	Must not be thrown into fire (burning prohibited)
	It is forbidden to open any batteries
	Device of protection class II
	Only suitable for use indoors
	Fuse (device fuse)
	EU conformity
	Recyclable material
	Protect from temperatures above 50 °C and direct sunlight

Table 7: Safety instructions

## 2.15 What to do in an emergency

### 2.15.1 Dangerous situation in road traffic

- ▶ If you encounter any hazards or dangers in road traffic, apply the brake until the pedelec comes to a halt. The brake acts as an emergency stop system in such cases.

### 2.15.2 Leaked brake fluid

- ▶ Remove those affected from the danger area to fresh air.
- ▶ Never leave those affected unattended.
- ▶ Remove any clothing contaminated with brake fluid immediately.
- ▶ Never inhale vapours. Ensure sufficient ventilation.
- ▶ Wear gloves and safety glasses as protective equipment.
- ▶ Keep unprotected persons away.
- ▶ Take care with leaked brake fluid as it poses a slip hazard.
- ▶ Keep leaked brake fluid away from naked flames, hot surfaces and sources of ignition.
- ▶ Avoid contact with skin and eyes.

#### If inhaled

- 1 Take in fresh air.
- 2 Immediately consult a doctor in case of any discomfort.

#### After skin contact

- 1 Wash affected skin with soap and water and rinse well.
- 2 Remove contaminated clothing.
- 3 Consult doctor in the event of pain or discomfort.

**After contact with eyes**

- 1 Rinse eyes under flowing water for at least ten minutes with the lids open; also rinse under lids.
- 2 Immediately consult a doctor in case of any pain or discomfort.

**If swallowed**

- 1 Rinse out mouth with water. Never induce vomiting. Risk of aspiration.
- 2 If a person is lying on their back and vomiting, place them in the recovery position.
- 3 Seek medical advice immediately.

**Environmental protection measures**

- ▶ Never allow brake fluid to flow into sewage, water courses or groundwater.
- ▶ Notify the relevant authorities if fluid penetrates the ground, water courses or the sewage system.
- ▶ Dispose of leaked brake fluid in an environmentally responsible way in accordance with statutory regulations (see Section 10.1).
- ▶ The brake system must be repaired immediately if brake fluid leaks out. Contact specialist dealer.

**2.15.3 Battery vapour emission**

Vapours may be emitted if the battery is damaged or used improperly. The vapours may cause respiratory tract irritation.

- 1 Get into fresh air.
- 2 Consult doctor in the event of pain or discomfort.

**After contact with eyes**

- 1 Carefully rinse eyes with plenty of water for at least 15 minutes. Protect unaffected eye.
- 2 Seek medical advice immediately.

**After skin contact**

- 1 Remove any solid particles immediately.
- 2 Remove contaminated clothing immediately.
- 3 Rinse the affected area with plenty of water for at least 15 minutes.
- 4 Then dab the affected skin gently. Do not rub dry.
- 5 Immediately consult a doctor if there is any redness, pain or discomfort.

**2.15.4 Battery fire**

The safety electronics may fail if the battery is damaged or faulty. The residual voltage can cause a short circuit. The battery may self-ignite and explode.

- 1 Keep your distance if the battery becomes deformed or starts to emit smoke.
- 2 If charging, remove the plug connector from the socket.
- 3 Contact the fire service immediately.
  - ▶ Use Class fire extinguishers to put out the fire.
  - ▶ Never extinguish damaged batteries with water or allow them to come into contact with water.

Inhaling vapours can cause intoxication.

- ▶ Stand on the side of the fire where the wind is blowing from.
- ▶ Use breathing apparatus if possible.

**2.15.5 Oil and lubricant leaks from the rear frame damper**

- ▶ Dispose of leaked oils and lubricants in an environmentally responsible way in accordance with statutory regulations (see Section 10.1).
- ▶ Contact specialist dealer.

**2.15.6 Oil and lubricant leaks from the fork**

- ▶ Dispose of leaked oils and lubricants in an environmentally responsible way in accordance with statutory regulations (see Section 10.1).

### 2.15.7 Lubricant leaking from the eightpins suspension seat post

- ▶ Avoid contact with skin and eyes. Wear nitrile gloves to protect yourself.
- ▶ Never inhale vapours. Ensure sufficient ventilation.
- ▶ Immediately remove any clothing items contaminated with lubricants.

#### If swallowed

- ▶ Phone doctor or poison information centre immediately.
- ▶ Never induce vomiting.

#### If inhaled

- ▶ Take in fresh air. Phone doctor or poison information centre immediately if there is any discomfort.

#### After skin contact

- ▶ Wash affected skin with soap and water and rinse well. Remove contaminated clothing. Consult doctor in the event of pain or discomfort.

#### Environmental protection measures

- ▶ Never allow lubricant to flow into the sewage system, water courses or groundwater.
- ▶ Notify the relevant authorities if fluid penetrates the ground, water courses or the sewage system.
- ▶ Dispose of leaked lubricants in an environmentally responsible way in accordance with statutory regulations (see [10.1](#)).

## 3 Description

### 3.1 Proper use







All check lists and instructions for actions in these operating instructions met. Approved accessories can be installed by specialist staff.

Use the pedelec when it is in perfect, proper working order only. National requirements may apply to the pedelec which the standard equipment may not meet. Different regulations apply across the country to the riding light, reflectors and other components when riding on public roads. The general laws and the regulations for the prevention of accidents and environmental protection in the respective country of use must be adhered to.

The rechargeable batteries are designed to supply power to the pedelec motor only. Never use the batteries for other purposes.

A compatible smartphone with the eBike Flow app, available from the Apple App Store or the Google Play Store, is required to use the on-board computer to its full extent.

Each pedelec is assigned a pedelec type, which determines its proper use, function and area of use.

City and trekking bicycle	Cycle for children and young adults	Mountain bike	Racing bicycle	Cargo bike	Folding bicycle
					
<p>City and trekking bicycles are designed for comfortable, daily use and are suitable for riding on public roads.</p>	<p>Cycles for children and young adults are suitable for riding on public roads.</p> <p>Legal guardians must read the operating instructions before putting the bike into use. Tell children and young people what the operating instructions contain in a way appropriate to their age.</p> <p>Check the size of the pedelec every 3 months for orthopaedic reasons.</p> <p>Check compliance with the maximum permitted total weight (PTW) every 3 months</p>	<p>Mountain bikes are designed for sports use. Its specific design features are tyres with a thick tread, a reinforced frame structure and wide transmission range.</p> <p>Mountain bikes are sports bikes and not a means of transport. In addition to being physically fit, riders need time to adapt to using the pedelec. Appropriate training is required for its use. It is especially important to practice braking and riding around bends.</p> <p>The strain on hands, wrists, arms, shoulders, the neck and back is considerable. Inexperienced riders tend to brake too hard and lose control as a result.</p>	<p>Racing bikes are designed for fast rides on roads and paths with a good, undamaged road surface.</p> <p>Racing bikes are sports bikes and not a means of transport. Racing bikes are characterised by their lightweight structure and a design which is stripped to the minimum parts required for riding.</p> <p>The frame geometry and the layout of the operating elements are designed to allow the bike to be ridden at high speeds. Learning how to ride slowly, apply the brakes and get on and off the bike safely takes practice due to the frame design.</p> <p>The sitting position is athletic. The strain on hands, wrists, arms, shoulders, the neck and back is considerable. The sitting position requires a high level of physical fitness.</p>	<p>Cargo bikes are suitable for transporting loads on public roads on a daily basis.</p> <p>The transportation of loads requires skill and physical fitness in order to balance the additional weight. The very varied loading conditions and weight distributions require special practice and skill when braking and riding in bends.</p> <p>A longer period is required to adaptation to the length, width and turning circle. You need to be cautious when riding a cargo bike. You must pay attention to the traffic on public roads and the condition of the route accordingly.</p>	<p>Folding bicycles are suitable for riding on public roads.</p> <p>Folding bikes can be folded together and thus save space when they are transported, e.g. in cars or on local transport.</p> <p>The folding function of the folding bicycle makes it necessary to use smaller wheels and longer brake cables and Bowden cables. With increased strain, you should therefore expect a reduction in riding stability, braking power, comfort and durability.</p>

**Table 8: Proper use for every type of Pedelec**



### 3.1.1 Improper use

Failure to adhere to the proper use poses a risk of personal injury and material damage. It is prohibited to use the pedelec in the following ways:

- when the electrical drive system been manipulated
- riding with a damaged or incomplete pedelec
- riding over steps
- riding through deep water
- charging with an incorrect charger
- lending the pedelec to untrained pedelec rider
- carrying other people
- riding with excessive baggage
- riding with no hands
- riding on ice and snow
- improper servicing
- improper repair
- tough areas of use, such as professional competitions
- stunt riding or acrobatics.






City and trekking bicycle	Cycle for children and young adults	Mountain bike	Racing bicycle	Cargo bike	Folding bicycle
					
City and trekking bicycles are not sports bicycles. If used for sports, the rider can expect reduced riding stability and diminished comfort	Cycles for children and young adults are not toys.	Mountain bikes must be retrofitted with riding light, a bell and other fittings as specified by national laws and regulations before they are used on public roads.	Racing bikes must be retrofitted with riding light, a bell and other fittings as specified by national laws and regulations before they are used on public roads.	Cargo bikes are not a touring or sports bicycle.	A folding bicycle is not a touring or sports bicycle.

Table 9: Notices on improper use

### 3.1.2 Permitted total weight (PTW)

The pedelec may only be loaded to its maximum permitted total weight (PTW).

The maximum permitted total weight is

- the weight of the fully assembled pedelec
- plus body weight
- plus baggage

Type no.	Model	PTW [kg]
KB196-IAKD	KETTLER B-750 FS1	140 kg
KB197-IAKD	KETTLER B-750 FS2	140 kg

**Table 10: Type number, model and PTW**

### 3.1.3 Environmental requirements

You can be ride the pedelec within a temperature range between -5 °C and +40 °C. The electric drive system is limited in its performance outside this temperature range.

Operating temperature	-5... +40 °C
-----------------------	--------------

During winter use, especially at temperatures below 0 °C, we recommend that you don't insert a battery charged and stored at room temperature into the pedelec until just before setting off. We recommend using thermal protection sleeves when riding longer distances at low temperatures.

Temperatures under -10 °C and over +60 °C must be avoided as a general rule. Never put the battery in a car in summer or store it in direct sunlight.

You must also keep within the following temperature ranges:

Transportation temperature	+10... +40 °C
Storage temperature	+10... +40 °C
Work environment temperature	+15... +25 °C
Charging temperature	+10... +40 °C

The nameplate contains symbols for the pedelec's area of use.

- Check what tracks and roads you may ride on before setting off for the first time.











Area of use	City and trekking bicycle	Cycle for children and young adults	Mountain bike	Racing bicycle	Cargo bike	Folding bicycle
						
 <b>1</b>	Suitable for tarmacked and paved roads.	Suitable for tarmacked and paved roads.		Suitable for tarmacked and paved roads.	Suitable for tarmacked and paved roads.	Suitable for tarmacked and paved roads.
 <b>2</b>	Suitable for tarmacked roads, cycle paths and firm gravel paths and roads, and longer sections with moderate slopes and jumps up to 15 cm.	Suitable for tarmacked roads, cycle paths and firm gravel paths and roads, and longer sections with moderate slopes and jumps up to 15 cm.	Suitable for tarmacked roads, cycle paths and firm gravel paths and roads, and longer sections with moderate slopes and jumps up to 15 cm.	Suitable for tarmacked roads, cycle paths and firm gravel paths and roads, and longer sections with moderate slopes and jumps up to 15 cm.		
 <b>3</b>		Suitable for tarmacked roads, cycle paths and easy to demanding off-road riding, sections with moderate slopes and jumps up to 61 cm.	Suitable for tarmacked roads, cycle paths and easy to demanding off-road riding, sections with moderate slopes and jumps up to 61 cm.			
 <b>4</b>			Suitable for tarmacked roads, cycle paths and easy to demanding off-road riding, limited downhill use and jumps up to 122 cm.			

Table 11: Area of use

The pedelec is unsuitable for the following areas of use:











Area of use	City and trekking bicycles	Child's bicycles/ bicycles for young adults	Mountain bikes	Racing bicycle	Cargo bike	Folding bicycle
 <b>1</b>	 Never drive off-road or perform jumps.	 Never drive off-road or perform jumps.		 Never drive off-road or perform jumps.	 Never drive off-road or perform jumps.	 Never drive off-road or perform jumps.
 <b>2</b>	Never drive off-road or perform jumps over 15 cm.	Never drive off-road or perform jumps over 15 cm.	Never drive off-road or perform jumps over 15 cm.	Never drive off-road or perform jumps over 15 cm.		
 <b>3</b>		Never ride downhill or perform jumps over 61 cm.	Never ride downhill or perform jumps over 61 cm.			
 <b>4</b>			Never traverse extremely difficult off-road terrain or perform jumps over 122 cm.			

Table 12: Unsuitable terrain

## 3.2 Nameplate

The nameplate is situated on the *frame*. The precise position of the nameplate is shown in

[Figure 2](#). The nameplate contains thirteen pieces of information.

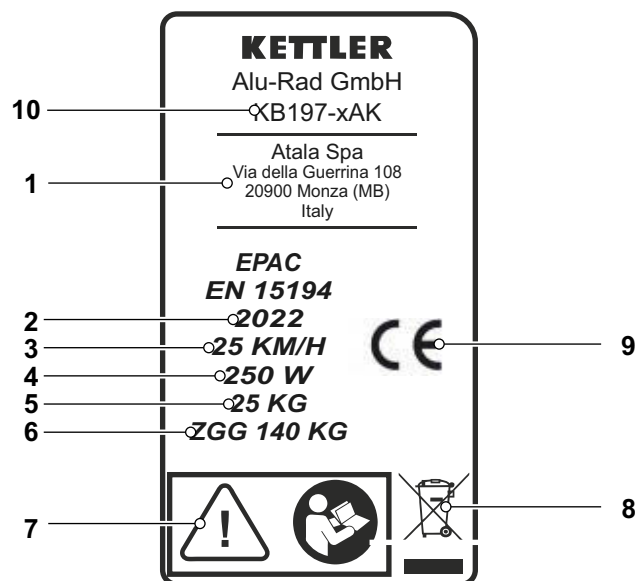


Figure 2: Example KETTLER nameplate

No.	Designation	Description	More information
1	Manufacturer's contact details	You can contact the manufacturer at the address indicated.	Section <a href="#">1.1</a>
2	Year of manufacture	The year of manufacture is the year in which the pedelec was manufactured.	
3	Shut-off speed	The speed that the pedelec reaches at the moment when the current has dropped to zero or to the no-load current value.	
4	Maximum continuous power rating	The maximum continuous power rating is the greatest possible power for the electric motor output shaft over 30 minutes.	
5	Weight of the ready-to-ride pedelec	The weight of the ready-to-ride pedelec is specified as a weight of 25 kg or above and refers to its weight at the time of purchase. Any extra accessories need to be added to the weight.	Section <a href="#">4.1</a>
6	Maximum permitted total weight	The maximum permitted total weight is the weight of the fully assembled pedelec with the rider plus baggage.	
7	Safety markings	Safety markings warn of hazards.	Section <a href="#">2.6</a>
8	Disposal instructions	These instructions must be followed when disposing of the pedelec.	Section <a href="#">10</a>
9	CE marking	The manufacturer uses the CE marking to declare that the pedelec complies with applicable requirements.	
10	Type number	All pedelec models have an eight-digit type number, which is used to specify the design model year, the type of pedelec and the version.	Section <a href="#">1.5</a>

Table 13: Explanation of information on the nameplate

### 3.3 Components

#### 3.3.1 Overview



Figure 3: Pedelec viewed from right, Bull Cross Rider used as example

1	Front wheel	11	Rear wheel
2	Front wheel hub	12	Rear wheel hub
3	Fork	13	Rear wheel brake
4	Steering headset (fitted)	14	Chain
5	Handlebars	15	Frame number
6	Stem	16	Motor (behind Cober)
7	Frame	17	Pedals
8	Rear frame damper	18	Battery and nameplate
9	Seat post	19	Front wheel brake
10	Saddle		

### 3.3.2 Chassis

The chassis comprises two components:

- Frame and
- steering system

#### 3.3.2.1 Frame

The frame absorbs all forces which act on pedelec from body weight, pedalling and the ground. The frame also acts as a carrier for most components.

The frame geometry determines the pedelec's ride performance.

#### 3.3.2.2 Steering system

The steering system components are:

- Steering headset
- Stem,
- Handlebars
- Fork.

#### 3.3.2.3 Steering headset

The steering headset (also known as a bike headset or simply a headset) is the fork bearing system in the frame. A distinction is made between two different types:

- Conventional steering headsets for fork steerers with thread and
- Steering headsets for threadless fork steerers, what are known as headsets.

#### 3.3.2.4 Stem

The stem connects the handlebars to the fork steerer tube. The stem is used to adjust the handlebars to body size. The stem is used to adjust the handlebar height and the gap between the handlebars and saddle (see Section 6.5.6).

#### Quickly adjustable stems

Quickly adjustable stems are an extension to the fork steerer. You can change the height and angle of quickly adjustable stems without any tools. Up to 3 settings can be adjusted, depending on the model:

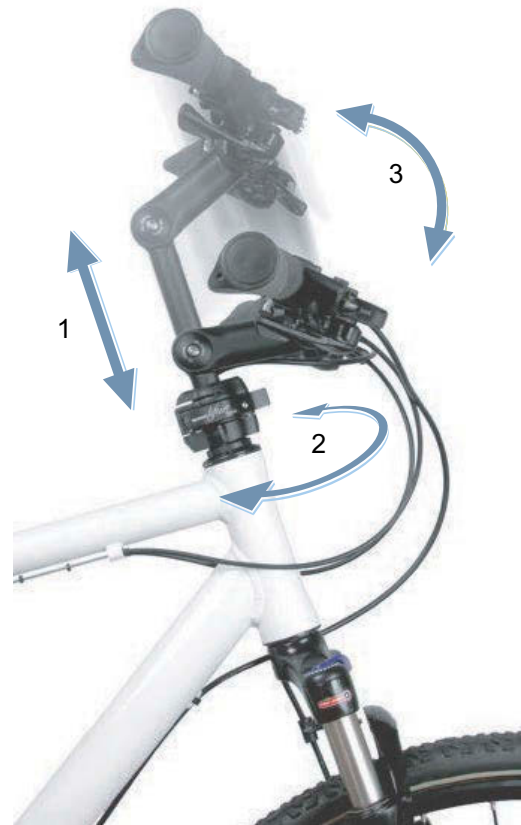


Figure 4: Example – BY.SCHULZ seat Speedlifter Twist Pro SDS

- 1 Height adjustment
- 2 Twist function
- 3 Stem angle adjustment.

Adjusting the height and stem angle increase ride comfort as different riding positions can be adopted on longer rides. The twist function saves space when parking.

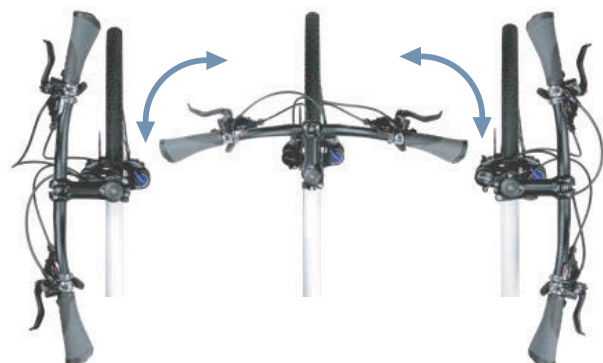


Figure 5: Twist function, using BY.SCHULZ as an example

### 3.3.2.5 Handlebars

The pedelec is steered using the handlebars. The handlebars are used to support the upper body and is the mount for most controls and displays (see Section 3.4.1).

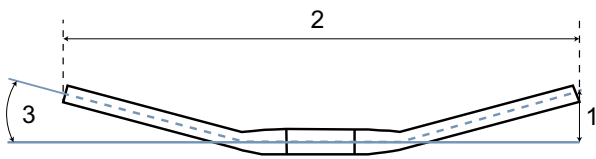


Figure 6: Handlebar dimensions

The main dimensions of handlebars are:

- 1 Rise (height)
- 2 Width
- 3 Backsweep

### 3.3.2.6 Fork

The stem and handlebars are attached to the top end of the fork steerer. The axle is fastened to the fork ends. The wheel is fastened to the axle.

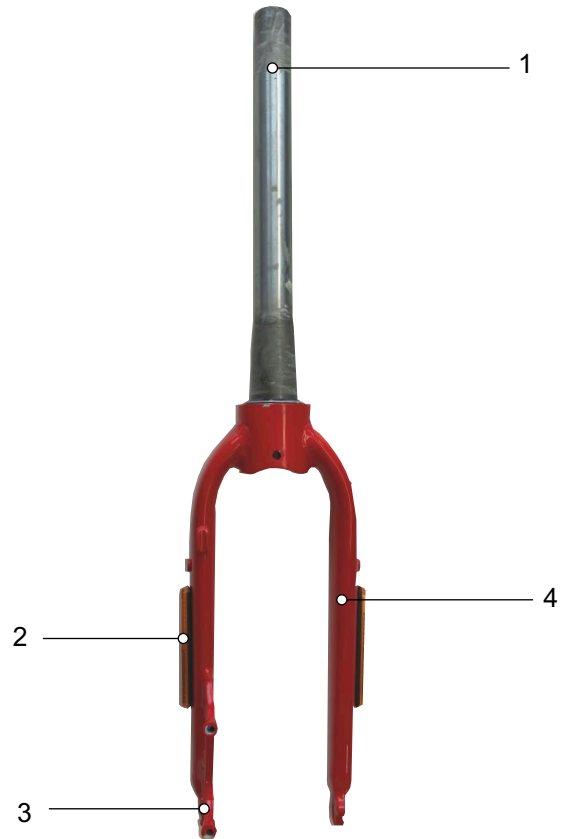


Figure 7: Overview of fork

- 1 Fork steerer
- 2 Side reflectors (optional)
- 3 Fork end
- 4 Fork leg



### 3.3.3 Suspension

Both forks and suspension forks are fitted in this model series.

#### 3.3.3.1 Rigid fork

Rigid forks do not feature suspension. They transfer the used muscle and motor power to the road to optimum effect. Pedelecs with rigid forks consume less energy on steep roads and have a greater range than pedelecs with suspension.

#### 3.3.3.2 Suspension fork

A fork deflects when a steel spring, air suspension, or both suspension types act on it.

Unlike rigid forks, suspension forks improve contact with the ground and thus enhance comfort using two functions: suspension and damping. The suspension in a pedelec prevents an impact, such as one caused by a stone lying in the pedelec's path, from being channelled directly into the body via the fork. The impact is absorbed by the suspension system instead. This causes the suspension fork to compress.

After compressing, the suspension fork returns to its original position. If the bike has a damper, the damper will slow this movement down. It thus prevents the suspension system from springing back in an uncontrolled manner and the fork from oscillating. Dampers which dampen compressive deflection movements, i.e. a compression load, are called compression dampers or compression dashpots.

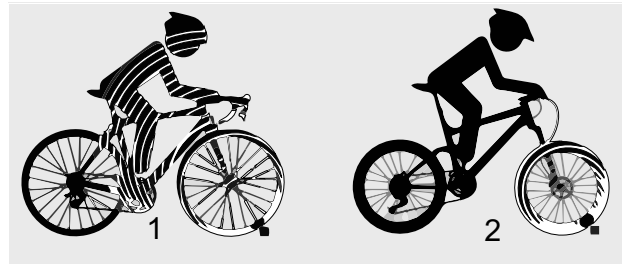


Figure 8: Without suspension (1) and with suspension (2)

Dampers which dampen rebound deflection movements, i.e. a rebound load, are called rebound dampers or dashpots.

The compression can be disabled in suspension forks. A suspension fork will then behave like a rigid fork.

The stem and the handlebars are fastened to the fork steerer. The wheel is fastened to the axle.

### Negative deflection (sag)

Negative deflection (sag) is the percentage of total deflection that is compressed by body weight, including equipment (such as a backpack), the riding position and frame geometry. Sag occurs whether you are actually riding or not. The pedelec rebounds at a controlled

speed if it is optimally adjusted. The wheel stays in contact with the ground when passing over bumps (blue line). The fork head, handlebars and body follow terrain (green line) when riding over bumps. The suspension motion is predictable and controlled.



Figure 9: Optimum fork ride performance

When optimally adjusted, the fork counteracts deflection on hilly terrain and stays higher in its

deflection range. This allows the rider to maintain the same speed more easily on hilly terrain.

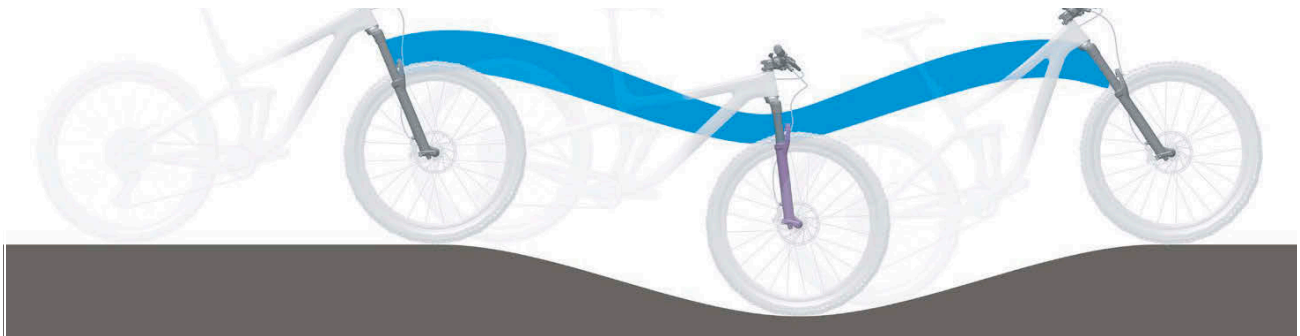


Figure 10: Optimum fork ride performance on hilly terrain

When optimally adjusted, the fork deflects quickly and unhindered when the bike hits bumps and absorbs a bump. Traction is retained (blue line).

The fork responds quickly to the bump. The headset and handlebars rise slightly when absorbing a bump (green line).



Figure 11: Optimum fork ride performance over bumps

## Rebound damping

Rebound damping defines the speed at which the suspension rebounds after being loaded.

Rebound damping controls the suspension fork extension and rebound speed, which, in turn, has an impact on traction and control. Rebound damping can be adjusted to body weight, spring stiffness, deflection, the terrain and the pedelec rider's preferences. If the air pressure or spring stiffness increases, the extension and rebound

speeds also increase. Rebound damping needs to be increased to achieve an optimal setting if the air pressure or spring stiffness is increased. The damper rebounds at a controlled speed if the fork is optimally adjusted. The wheel stays in contact with the ground when passing over bumps (blue line). The fork head, handlebars and body follow terrain (green line) when riding over bumps. The suspension motion is predictable and controlled.



Figure 12: Optimum fork ride performance

## Suspension fork compression damper

The compression damper allows the rider to make quick adjustments to the fork's suspension behaviour to adapt to changes in terrain. It is intended for adjustments made during the ride.

The compression damper controls the compression lifting speed or the extent to which the fork deflects during slow impacts. The compression damper affects the absorption of bumps when weight shifts or during transitions,

cornering and uniform impacts caused by bumps and when braking. When optimally adjusted, the fork counteracts deflection on hilly terrain, stays higher in its deflection range and helps to maintain speed when riding on hilly terrain. The fork deflects quickly and unhindered and absorbs the bump when the bike hits a bump. Traction is retained (blue line).



Figure 13: Optimum ride performance on hilly terrain

### Steel suspension fork structure

The stem and the handlebars are fastened to the fork steerer. The wheel is fastened to the axle.

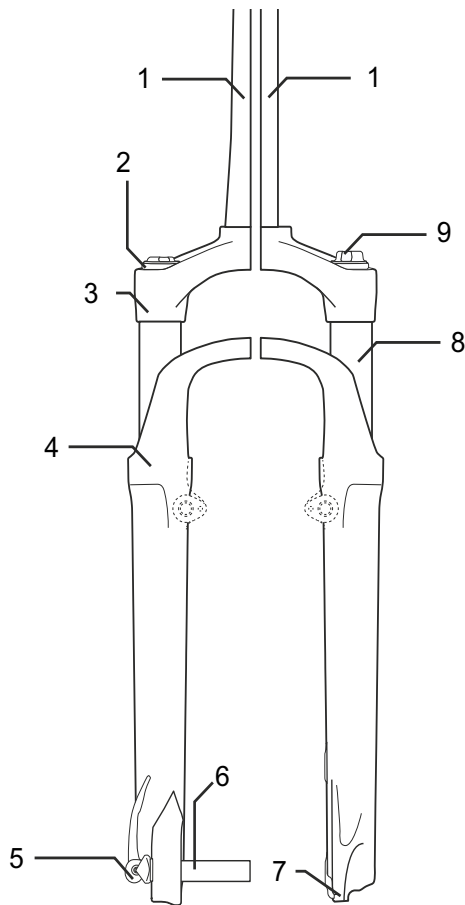


Figure 14: SR SUNTOUR steel suspension fork as an example

- |   |                    |
|---|--------------------|
| 1 | Fork steerer       |
| 2 | Sag setting wheel  |
| 3 | Crown              |
| 4 | Dust seal          |
| 5 | Q-Loc              |
| 6 | Axle               |
| 7 | Fork end           |
| 8 | Stanchion          |
| 9 | Compression damper |

### Air suspension fork structure

The air suspension fork comprises up to three assembly groups:

- Air suspension assembly (orange)
- Compression damper assembly (blue)
- At times, a rebound damper assembly (red)

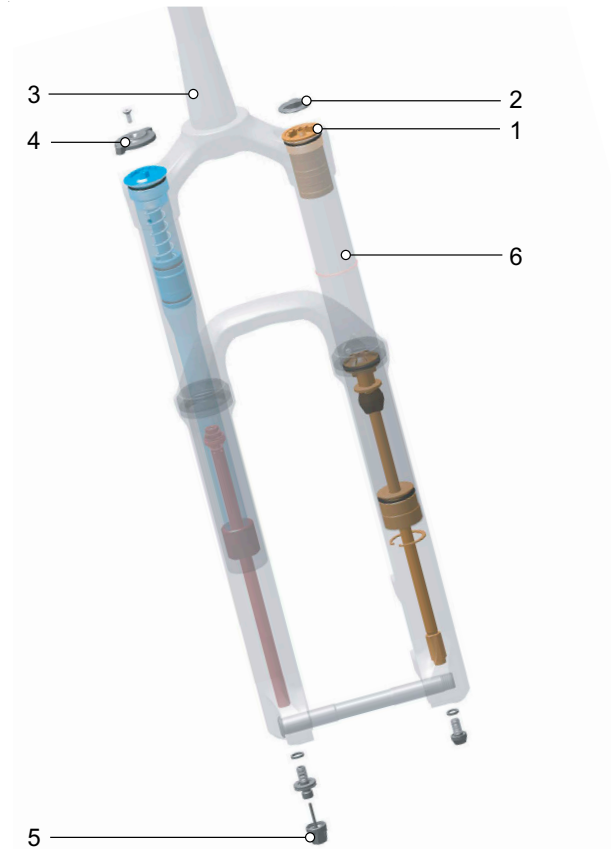


Figure 15: Internal structure of air suspension fork

- |   |                   |
|---|-------------------|
| 1 | Air valve         |
| 2 | Air valve cap     |
| 3 | Fork steerer      |
| 4 | Sag setting wheel |
| 5 | Rebound adjuster, |
| 6 | Stanchion         |

### 3.3.4 Wheel

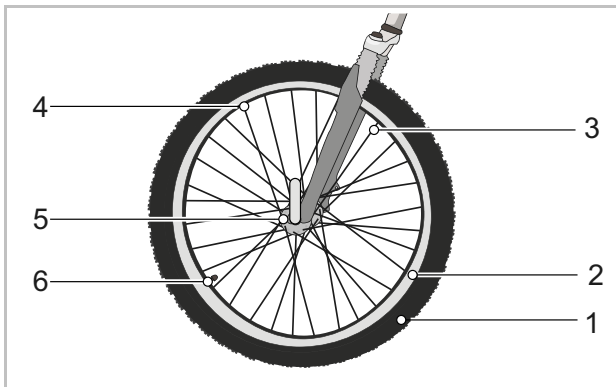


Figure 16: Visible wheel components

1	Tyres
2	Rim
3	Spoke
4	Spoke nipples
5	Hub
6	Valve

The wheel comprises a tyre, an inner tube with a valve and the wheel itself.

#### 3.3.4.1 Tyres

The tyre forms the outer section of the wheel. The tyre is pulled onto the rim. Tyres differ in design, profile and width, depending on their intended use.



Figure 17: Example: Information on tyres

#### Tyre size

The tyre size pressure range is indicated on the side of the tyre.

#### Tyre pressure

The permitted pressure range is indicated on the side of the tyre. It is indicated in psi or bars. The tyre is only able to support the pedelec if there is adequate tyre pressure. The tyre pressure must be adjusted to the body weight and then checked on a regular basis.

#### Tyre design types

There are five different tyre design types:

- Tube-type tyres
- Tubeless tyres (also tubeless ready)
- Tubular or single tube tyres
- Solid tyres
- Mixed types.

#### 3.3.4.2 Tube-type tyre

A distinction is made between different kinds of tube-type tyre:

- Clinchers with steel wire reinforcement in bead core
- Folding tyres with aramid fibre reinforcement in bead core
- Beaded edge tyres without reinforcement in the bead core but with pronounced beads that hook under the rim edge and overlap in the rim well



Figure 18: Structure of tube-type tyre

1	Rim
2	Tread with profile
3	Puncture protection belt (optional)
4	Carcass
5	Bead core

## Carcass

The carcass is the tyre's supporting structure. There are usually three carcass plies beneath the tread. The carcass comprises a webbing with threads, usually made of polyamide (nylon). The webbing is coated with rubber on both sides and cut at an angle of 45°. The carcass gives the tyre stability thanks to this cut at an angle to the direction of travel. The carcass plies are woven with different densities, depending on the quality of the tyres. The density of the carcass fabric is indicated by the number of threads per inch, in EPI (*ends per inch*) or TPI (*threads per inch*). There are tyres with between 20 and 127 EPI carcasses.

If the EPI value is higher, the diameter of the threads used is lower. Carcass plies with a higher EPI value have threads with a smaller diameter. The higher the EPI value:

- the less rubber is needed to encase the threads,
- the lighter the tyres are
- the more flexible the tyres are and they consequently have less rolling resistance.
- The webbing is denser so that it is more difficult for foreign bodies to penetrate. This increases puncture resistance.

In carcasses with 127 EPI, each individual thread is just 0.2 mm thick and, consequently, more susceptible to damage. This means that a 127 EPI tyre offers low puncture protection. 67 EPI offers the optimum compromise between weight and robustness.

Besides the webbing, the tyre's rubber compound is also important. The rubber compound comprises numerous parts:

40 ... 60%	Natural and synthetic rubber
15 ... 30%	Fillers, e.g. carbon black, silicic acid or silica gel
20 ... 35%	<ul style="list-style-type: none"> <li>• Anti-ageing agent</li> <li>• Vulcanisation agent, e.g. sulphur</li> <li>• Vulcanisation accelerator, e.g. zinc oxide</li> <li>• Pigments and dyes</li> </ul>

**Table 14: Rubber compound in carcasses**

## Tread with profile

A rubber tread is attached to the exterior of the carcass.

The tread has little influence on riding characteristics on a smooth road. The grip between the road and tyre is mainly provided by the rolling friction between the rubber and the road surface.

## Slicks and road tyres

Unlike cars, a pedelec will not aquaplane. The tread contact is small and the contact pressure high. Thanks to the small contact surface on narrow and treadless tyres, the tyre interlocks with the road surface finish. Theoretically, the tyre will not aquaplane until speeds of 200 km/h are reached.

On a clean road, whether dry or wet, slick tyres will grip more effectively than treaded tyres because the contact surface is larger. The rolling resistance of slick tyres is also lower.

## Off-road tyres

The tread is highly important on terrain. In this case, the tread creates an interlock with the ground, thus enabling the driving, braking and steering forces to be transmitted. The MTB tread can also help improve control on dirty roads or farm tracks.

Tread blocks on MTB tyres deform as they meet the contact surface. The energy used for this is partly converted into heat. Another part is stored and converted into the tread block's sliding movement when it leaves the contact surface, which contributes to the tyre's wear.

If a tyre with a deep tread is used on asphalt, this may make an unpleasant noise. If a pedelec with an MTB tyre is mainly ridden on the road, it is thus best to change the tyre for a pair of tyres with as little tread as possible to reduce wear and save energy. In such a case, the specialist dealer needs to replace the tyre with a new one with a shallow tread.



## Bead core

Tyre carcasses are wrapped around bead cores. Wrapping the carcass around both sides creates three carcass plies.

To ensure that tyres do not slip when inflated on the rim and have an effective grip, the bead cores are stabilised in two different ways:



Figure 19: Steel bead core (1) and Kevlar bead core (2)

- with a steel wire. These tyres are called clinchers.
- with aramid fibres (Kevlar®). These tyres are called folding tyres. Folding tyres are about 50-90 g lighter than clinchers. It can also be folded into a smaller pack size.

## Puncture protection belt (optional)

There may be a puncture protection belt between the carcass and the tread.



Figure 20: Effect of puncture protection belt

Each tyre manufacturer has its own puncture protection classes which are not on par with one another.

## 3.3.4.3 Rim

The rim is the metal profile on a wheel which holds the tyre, tube and rim band together. The rim is joined to the hub with spokes.

In rim brakes, the outer surface of the rim is used to brake.

## 3.3.4.4 Valve

Each tube-type tyre has a valve. Air is pumped into the tyre via the valve. There is a valve cap on each valve.

The screw-on valve cap keeps out dust and dirt.

The pedelec has either a:

- Dunlop valve
- Presta valve
- Schrader valve

## Dunlop valve

The Dunlop valve, also known as a conventional valve, is the most widely used valve. The valve insert can be replaced easily and air can be let out very quickly.

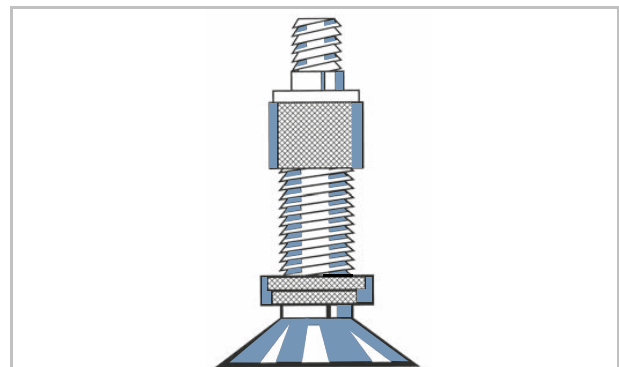


Figure 21: Dunlop valve

### Presta valve

The Presta valve, also known as the Sclaverand valve or the French valve, is the narrowest variant of all valves. The Presta valve requires a smaller hole in the rim, which is why it is especially suitable for the narrow rims on racing bikes. It is about 4 to 5 g lighter than a Dunlop or Schrader valve.

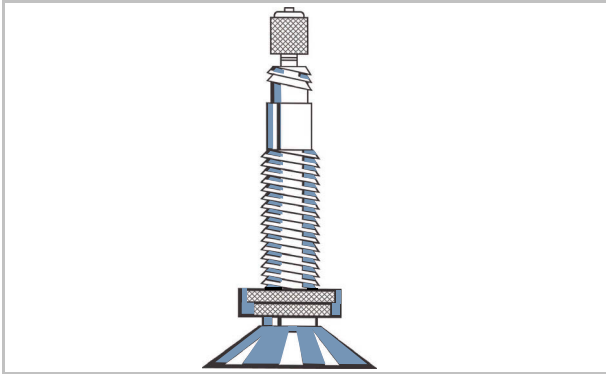


Figure 22: Presta valve

### Schrader valve

The Schrader valve can be pumped at filling stations. Older, simple bicycle air pumps are unsuitable for Schrader valves.

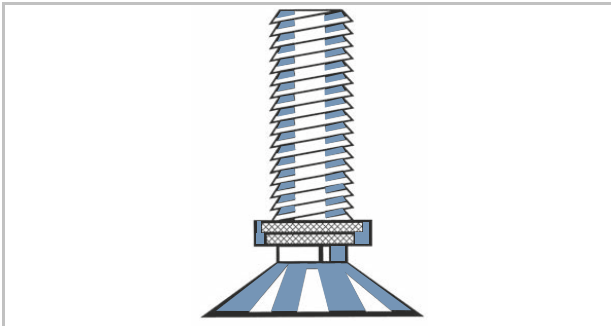


Figure 23: Schrader valve

### 3.3.4.5 Spoke

A spoke is a rod that connects the hub to the rim. The bent end of the spoke which is hooked into the hub is called the spoke head. A thread between 10 mm and 15 mm is attached to the other end of the spoke.

### 3.3.4.6 Spoke nipples

Spoke nipples are screw elements with an internal thread which fits onto the spoke thread. Fitted spokes are tensioned by tightening the spoke nipples. This straightens the wheel uniformly.



### 3.3.5 Brake

A pedelec's brake system is primarily operated using the brake lever on the handlebars.

- If the left brake lever is pulled, the brake on the front wheel is applied.
- If the right brake lever is pulled, the brake on the rear wheel is applied.

The brakes are used to regulate speed and make an emergency stop. Applying the brakes will bring the pedelec to a safe, rapid halt in an emergency.

The brake is applied using the brake lever either

- with the brake lever and brake cable (mechanical brake) or
- with the brake lever and hydraulic brake cable (hydraulic brake).

#### 3.3.5.1 Mechanical brake

The brake lever is connected to the brake via a wire inside the shift cable (also known as a Bowden cable).



Figure 24: Bowden cable structure

#### 3.3.5.2 Hydraulic brake

The brake fluid is in a closed hose system. If the brake lever is pulled, the brake fluid transfers pressure to the brake on the wheel.

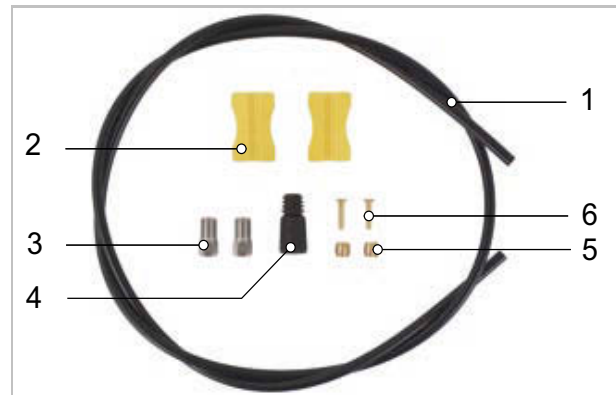


Figure 25: Components in a brake cable

- |   |             |
|---|-------------|
| 1 | Brake cable |
| 2 | Cable clip  |
| 3 | Union nut   |
| 4 | Cover cap   |
| 5 | Knob        |
| 6 | Insert pin  |

### 3.3.5.3 Disc brake

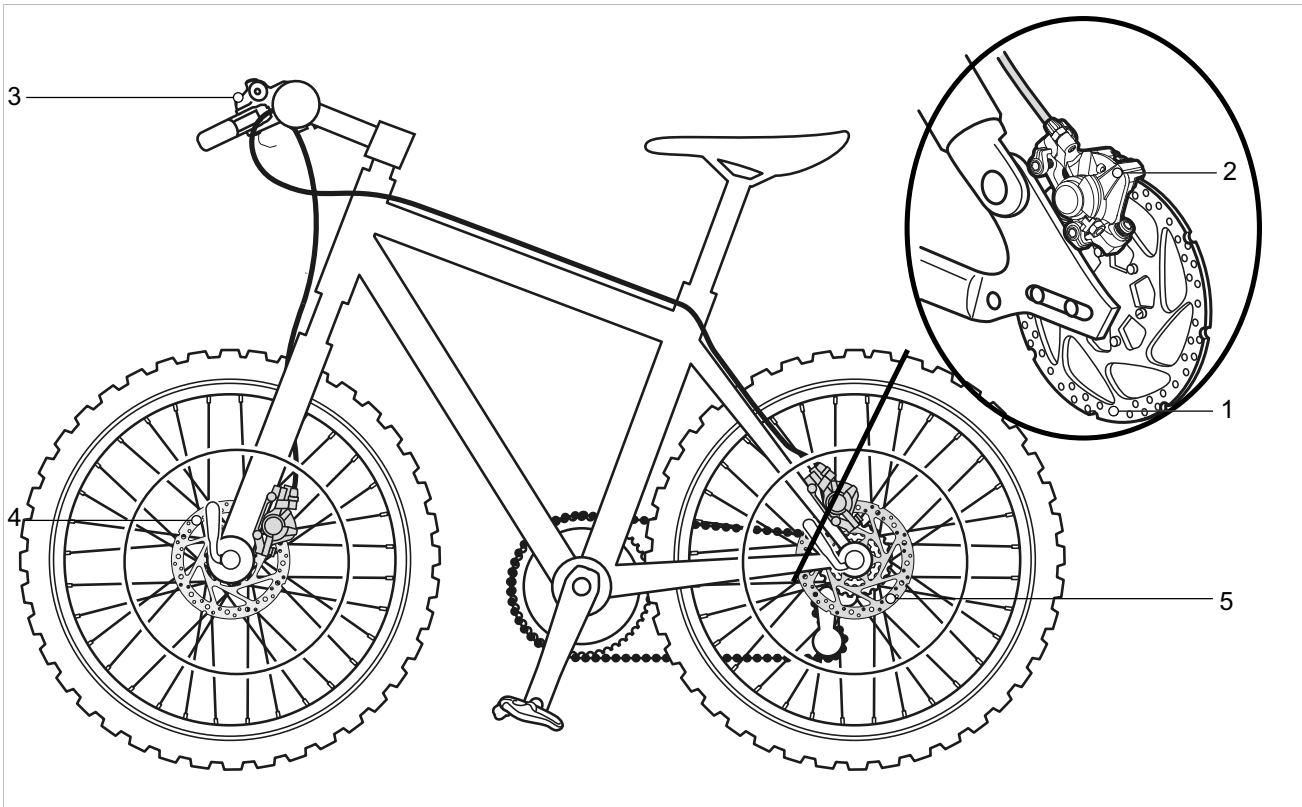


Figure 26: Brake system with disc brake – example

- 1 Brake disc
- 2 Brake calliper with brake linings
- 3 Handlebars with brake lever
- 4 Front wheel Brake disc
- 5 Rear wheel brake disc

On a pedelec with a disc brake, the brake disc is permanently screwed to the hub.

You increase brake pressure by pulling the brake lever. The brake fluid is used to transfer pressure through the brake cables to the cylinders in the brake calliper.

The braking force is boosted by a speed reduction and applied to the brake linings. These apply the brake disc mechanically. If the brake lever is pushed, the brake linings are pressed against the brake disc and the wheel movement is decelerated until it comes to a stop.

### 3.3.6 Seat post

Seat posts are not designed to fasten the saddle but also to adjust exactly to the optimum sitting position. The seat post can:

- adjust the seat height in the seat tube
- adjust the saddle horizontally with a clamping mechanism and
- adjust the saddle angle by swivelling the entire saddle clamping mechanism.

Retractable seat posts feature a remote control on the handlebars, which can be used to lower the seat post at traffic lights, for example, and then raise it again.

#### 3.3.6.1 Patent seat post



Figure 27: Example of ergotec patent seat post with either one or two seat clamp screws

Patent seat posts have a rigid link between the saddle and the post. Patent seat posts which are angled more markedly towards the rear are offset seat posts. Offset seat posts provide a greater distance between the saddle and the handlebars.

In patent saddle posts, the saddle is attached to the head with one or two seat clamp screws. It is recommended to lubricate the thread in these screws to ensure sufficient tension when tightening the screw.

Patent saddle posts are fastened into the seat tube with either a quick release or a screwable clamp.

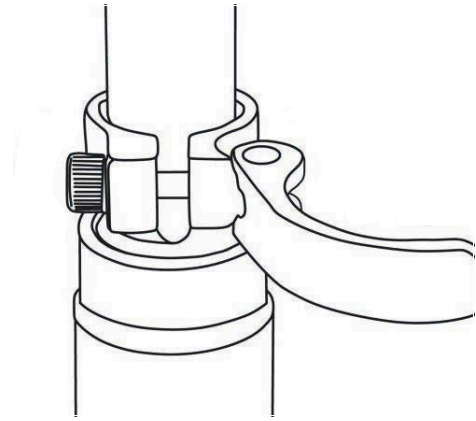


Figure 28: Example of a quick release

#### 3.3.6.2 Suspension seat post

Suspension seat posts can reduce shock after one-time hard impacts, thus improving ride comfort significantly. However, suspension seat posts are not able to compensate for bumps in the road.

If the seat post is the only suspension element, the entire pedelec is a non-suspended mass. This has an unfavourable effect on loaded touring bikes or pedelecs with child trailers.

Suspension seat posts feature small, heavy-duty slide bearings, guides and articulated joints. If they are not lubricated on a regular basis, the sensitive response behaviour diminishes considerably, causing excessive wear.

The pre-tensioning in non-damped suspension seat posts must be adjusted in such a way that the suspension seat post does not deflect with just body weight. This prevents the suspension seat post from deflecting and bobbing intermittently at higher pedalling frequencies or if the rider pedals irregularly.

The spring stiffness can be set lower with damped suspension seat posts, thus making use of the negative deflection.

### 3.3.7 Mechanical drive system

The pedelec is driven by muscle power, just like a bicycle.

The force which is applied by pedalling in the direction of travel drives the front chain wheel. The chain or belt transmits the force onto the rear chain wheel and then onto the rear wheel.

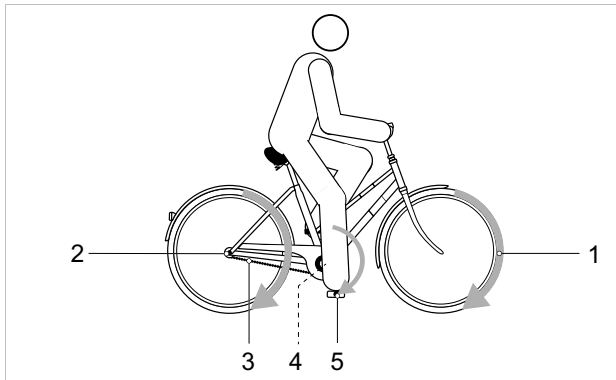


Figure 29: Diagram of mechanical drive system

- |   |                                  |
|---|----------------------------------|
| 1 | Direction of travel              |
| 2 | Chain or belt                    |
| 3 | Rear chainring or belt sprocket  |
| 4 | Front chainring or belt sprocket |
| 5 | Pedal                            |

The pedelec is equipped with either a chain or belt drive.

#### 3.3.7.1 Chain drive layout



Figure 30: Chain drive with derailleur gears

- |   |                 |
|---|-----------------|
| 1 | Rear derailleur |
| 2 | Chain           |

The chain drive is compatible with a

- Back-pedal brake,
- Hub gear or
- Derailleur gears.

#### 3.3.7.2 Parts of a belt drive



Figure 31: Belt drive

- |   |                     |
|---|---------------------|
| 1 | Front belt sprocket |
| 2 | Rear belt sprocket  |
| 3 | Belt                |

A belt drive is compatible with

- Back-pedal brake and
- Hub gear.

A belt drive is not compatible with derailleur gears.

### 3.3.8 Electric drive system

The pedelec has an electric drive system in addition to a mechanical one.

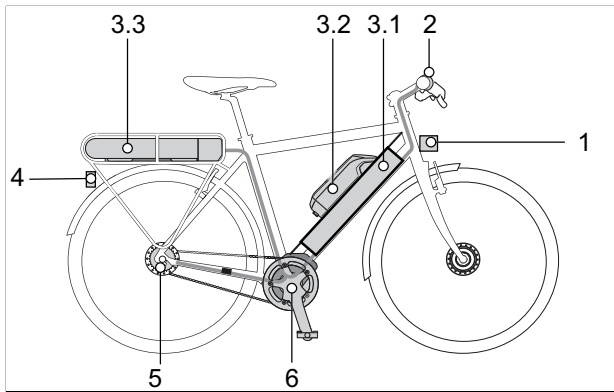


Figure 32: Diagram of an electric drive system with electric components

- |   |  |
|---|--|
| 1 | Front lamp   |
| 2 | On-board computer  |
| 3 | Display (optional)                                       |
| 4 | PowerTube battery or                                     |
| 5 | PowerPack battery  |
| 6 | Rear light   |
| 7 | Electric gear shift (optional)                           |
| 8 | Motor  |
| 9 | A charger which is designed for the battery (not shown). |

#### 3.3.8.1 Motor

As soon as the muscle power required for pedalling passes a certain level, the motor is activated gently and assists the pedalling motion. The motor power always depends on the power used to pedal: Motor assistance is lower when little muscle power is used than when a great deal of muscle power is used. This happens regardless of the level of assistance.

The motor switches off automatically as soon as the rider no longer pedals, the temperature is outside the permitted range, there is an overload or the shut-off speed of 25 km/h has been reached.

A push assist system can be activated. The speed depends on the selected gear. The motor continues to drive the pedelec as long as the rider presses the push assist button on the handlebars. The speed can be a maximum of 6 km/h in this case. The electric drive system stops when the

push assist button is released. The pedelec does not have a separate emergency shut-off button. In the event of an emergency, the motor can be stopped by removing the on-board computer. The mechanical brakes are used as an emergency stop system and bring the bicycle to a halt quickly and safely in the event of an emergency.

#### 3.3.8.2 Charger

Each pedelec is supplied with a charger. The following BOSCH charger may be used:

- the 4 A Charger BPC3400.

Observe the operating instructions in the Section 11.4 Documents.

#### 3.3.8.3 Lighting

Lighting always includes

- the front lamp (also known as headlight or front light)
- the rear light (also known as rear lamp)

The headlight and the rear light are also on whenever the riding light is activated.

### 3.3.8.4 Rechargeable battery

BOSCH batteries are lithium ion batteries which are developed and manufactured to the latest technical standards. Each battery cell is protected by a steel cup and encased in a plastic battery housing. Applicable safety regulations are met.

- The battery has an interior electronic protection circuit, which is specifically designed for the charger and the pedelec.
- The battery temperature is monitored at all times.
- The battery is protected against deep discharge, overcharging, overheating and short circuits by Electronic Cell Protection (ECP).

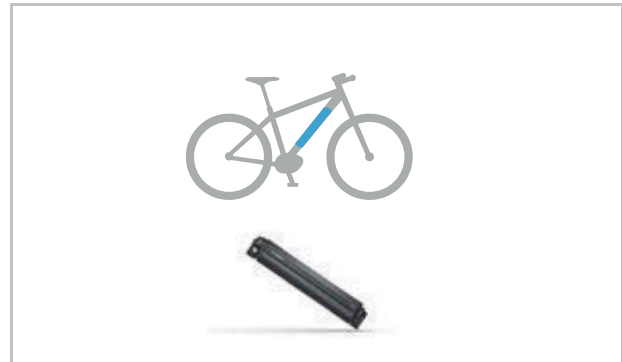
In the event of a hazard, a protective circuit switches the battery off automatically. In the event of a hazard, a protective circuit switches the battery off automatically.

The battery has a high energy content when charged. The code of practice for their safe handling is found in Section 2 Safety and Section 6.9 Rechargeable battery in the operating instructions. If the electric drive system is not used for 10 minutes and no button has been pressed on the on-board computer or the control panel, the electric drive system and the battery are automatically switched off to save energy.

The type and duration of operating conditions have a significant effect on the battery life. Just like any other lithium-ion battery, the battery will age naturally if it is not being used. The battery's service life can be extended if the battery is well maintained and stored at the correct temperature. The charging capacity will decrease with age, even if the battery is maintained properly. If the operating time is severely shortened after charging, this is a sign that battery has reached the end of its useful life.

Battery performance is reduced when the temperature drops since this increases electrical resistance. You should expect the range to be less than normal at low temperatures in winter. We recommend using thermal protection sleeves when riding longer distances at low temperatures. Each battery has its own lock.

The following battery can be built into the pedelec:



PowerTube 500  
BBP375Y

PowerTube 625  
BBP376Y

PowerTube 750  
BBP377Y

Figure 33: Overview of battery variants

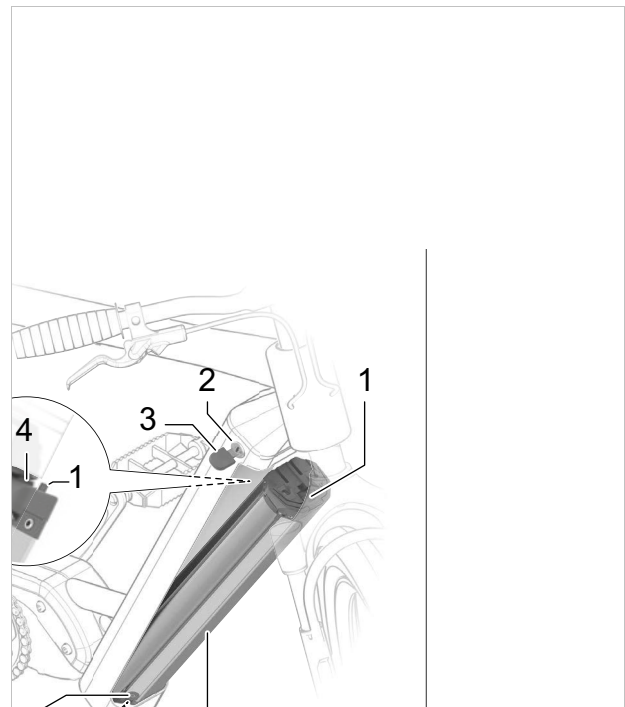


Figure 34: Details on PowerTube

- 1 Securing hook
- 2 Battery lock
- 3 Battery key
- 4 Retainer guard
- 5 On-Off button (battery)
- 6 Battery level indicator (battery)
- 7 Socket for charger plug
- 8 Battery housing

### 3.3.9 On-board computer

The on-board computer on the handlebars is used as a control panel. It controls the system and all indicators on the display screen using six buttons.



Figure 35: BOSCH LED Remote on-board computer

The eBike Flow app can be accessed via Bluetooth®.

The control panel has an internal lithium ion battery. The pedelec battery powers the control panel. If a sufficiently charged battery is inserted into the pedelec and the drive system switched on, the internal battery is charged.

#### 3.3.9.1 Display

The display shows the main drive system functions and the ride data.



Figure 36: BOSCH Kiox 300 display

The display switches off automatically if it is removed from its mount.

## 3.4 Description of controls and screens

### 3.4.1 Handlebars

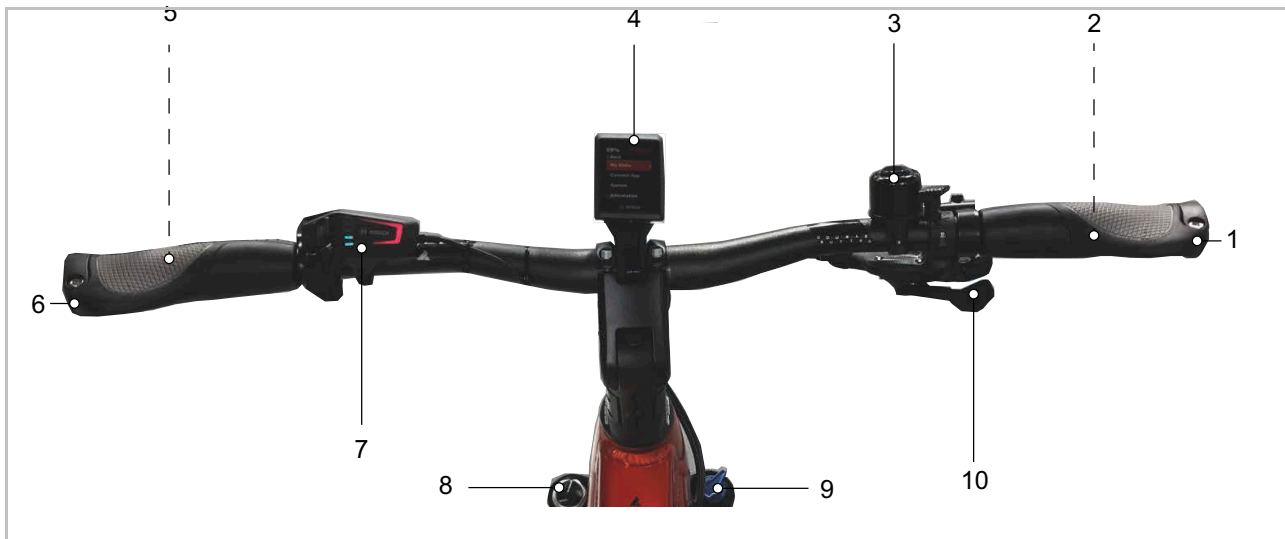


Figure 37: Detailed view of handlebars with BOSCH Kiox 300, example

1, 6	Handle	7	LED Remote control panel
2	Rear wheel hand brake (behind handlebars)	8	Air valve cap
3	Bell	9	Sag setting wheel
4	Kiox 300 display	10	Shifter
5	Front wheel hand brake (behind handlebars)		



### 3.4.2 Control panel

The control panel on the handlebars is the on-board computer. It controls the system and all indicators on the display screen using six buttons.

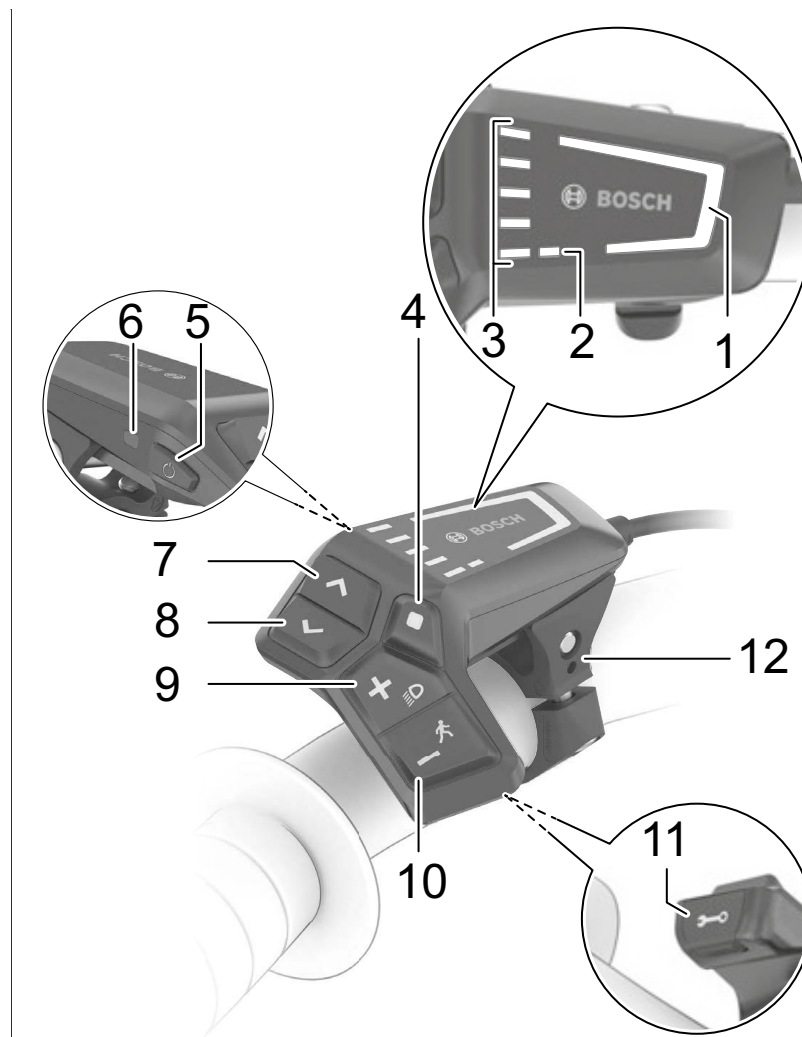


Figure 38: Overview of BOSCH LED Remote control panel

	Symbol	Designation
1		Selected level of assistance indicator
2		ABS indicator (optional)
3		Battery level indicator (control panel)
4	■	Select button
5	⏻	On-Off button (control panel)
6		Ambient light sensor

Table 15: Overview of control panel

	Symbol	Designation
7	>	Increase brightness button/ forward button
8	<	Decrease brightness button/ back button
9	+	Plus button/ light button
10	-	Minus button/ push assist button
11		Diagnosis connection (for maintenance purposes only)
12		Mount

Table 15: Overview of control panel

## 1. Selected level of assistance indicator

The higher the selected level of assistance, the more the drive system assists with pedalling.

eMTB mode is available for Performance Line CX drives. In eMTB mode, the assistance factor and the torque are dynamically adjusted depending on the pedalling force applied to the pedals.

Level of assistance	Colour	Use
OFF	No	When the drive system is switched on, the motor assistance is switched off. The pedelec can be used like a normal bicycle by simply pedalling.
ECO	Green	Limited assistance with maximum efficiency for maximum range
TOUR	blue	Constant assistance, for long-range tours
<b>eMTB/SPORT</b>	Purple	Powerful assistance, for sporty start-up, optimal assistance on all types of terrain
TURBO	Red	Maximum assistance up to high pedalling frequencies, for sport riding

**Table 16: Overview of levels of assistance**

## 2. ABS indicator (optional)

The ABS indicator lights up on pedelecs with an ABS system when they start up.

The ABS will switch off if the pedelec reaches a speed of 6 km/h.

If there is a fault, the ABS indicator lights up together with the indicator of the selected level of assistance, which will flash orange.

Press the Select button to acknowledge the fault and the flashing indicator for the selected level of assistance will go out. The ABS indicator remains lit to indicate that the ABS system is not in operation.

## 3. Battery level indicator (control panel)

The battery level indicator (control panel) shows the battery charge level. You can also see the battery charge level on the LEDs on the battery itself.

Each blue bar on the indicator signals 20% capacity and each white bar 10% capacity. The top bar indicates maximum capacity. The two lower indicators will change colour if the capacity is low:

Bars	Capacity
5 × blue	100...91%
4 × blue + 1 × white	90...81%
4 × blue	80...71%
3 × blue + 1 × white	70...61%
3 × blue	60...51%
2 × blue + 1 × white	50...41%
2 × blue	40...31%
2 × orange	30...21%
1 × orange	20...11%
1 × red	10%...reserve
1 x red, flashing	Reserve...empty

The uppermost bar will flash if the battery is charging.

### 3.4.2.1 System message

The control panel indicates whether a critical or less critical error has arisen in the drive system.

The error messages generated by the drive system can be read in the eBike Flow app and by the bicycle dealer.

The rider can use a link in the eBike Flow app to display all information on errors and assistance on eliminating errors.

You will find more information and a table containing all system messages in Section 6.2.

### 3.4.2.2 Creating a user account

The rider needs to register on a PC or their smartphone and create a user account to use all the drive system's functions.

The user account can be used to change settings, analyse routes and ride data and activate premium functions among other things.

### 3.4.2.3 Software updates

Software updates are automatically transferred to the on-board computer in the background of the Bosch eBike Flow smartphone app as soon as the app is connected to the on-board computer.

Once an update has been completely transferred, this is displayed three times when the on-board computer is restarted.

Alternatively, the user can check whether an update is pending under Settings <My eBike> <Components>.

### 3.4.2.4 Activity tracking

User recognition is required on a PC or smartphone to record activities.

The rider needs to agree to location data being saved on the portal or the app to record activities. Only then will all activities be displayed on the portal or app.

Your location will only be logged if the on-board computer is connected to the eBike Connect app.

Activities will be displayed after synchronisation in the app and on the portal.

### 3.4.2.5 Lock function

When the lock function is used, the on-board computer acts in a similar way to a key for the drive system. Once the lock function is switched on, the e-bike drive unit assistance is deactivated by removing the on-board computer. The rider can continue to use the mechanical drive system.

It can then only be activated using the on-board computer belonging to the pedelec. The lock function is linked to the eBike Connect app user account.

The lock function does not provide anti-theft protection; it is more a supplement to a mechanical lock. The lock function does not provide mechanical blocking of the pedelec or similar. It only deactivates assistance from the drive unit.

If third parties are to have temporary or permanent access to the pedelec, the lock function must be deactivated in the eBike Connect app.

When activating and deactivating the lock function, the drive system emits audible lock signals. The audible feedback signal is activated by default. The feedback signal can be deactivated under SETTINGS <My eBike>.

### 3.4.3 Display

The display is controlled using the control panel.



Figure 39: BOSCH Kiox 300 display

The following pages are on the display screen:

- START SCREEN, see Section 3.4.8.1
- STATUS SCREEN, see Section 3.4.3.2
- SETTINGS, see Section 3.4.8.5

#### 3.4.3.1 Start screen

The START SCREEN is displayed if no other page was selected before the last time the display was switched off.

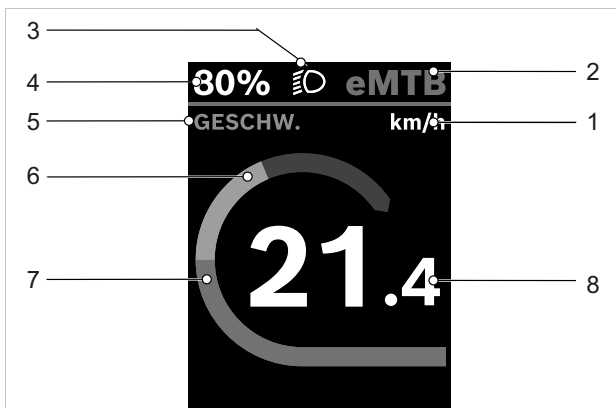


Figure 40: Overview of start screen, screen 1

- 1 Unit of speed
- 2 Selected level of assistance indicator
- 3 Riding light symbol
- 4 Battery level indicator (display screen)
- 5 Title screen
- 6 Own power indicator
- 7 Motor power indicator
- 8 Speed indicator

Indicators 2 to 4 make up the status bar and are displayed on every page.

You open the second start screen by pressing the **select button**.

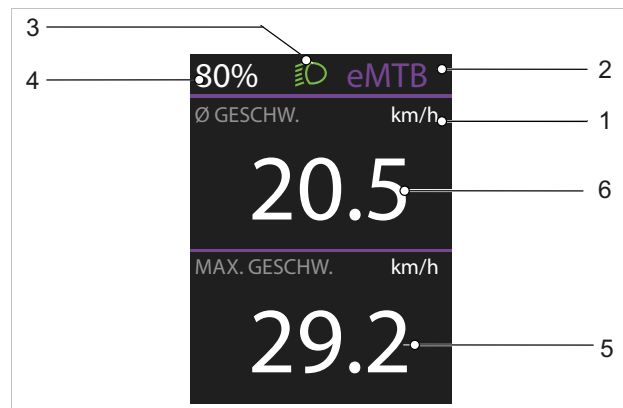


Figure 41: Overview of start screen, screen 2

- 1 Unit of speed
- 2 Selected level of assistance indicator
- 3 Riding light symbol
- 4 Battery level indicator (display screen)
- 5 Maximum speed indicator
- 6 Average speed indicator

#### 1. Unit of speed

The unit of speed is displayed either in km/h or mph.

#### 2. Selected level of assistance indicator


The higher the selected level of assistance, the more the drive system assists with pedalling.

eMTB mode is available for Performance Line CX drives. In eMTB mode, the assistance factor and the torque are dynamically adjusted depending on the pedalling force applied to the pedals.

Level of assistance	Use
OFF	When the drive system is switched on, the motor assistance is switched off. The pedelec can be used like a normal bicycle by simply pedalling.
ECO	Limited assistance with maximum efficiency for maximum range
TOUR	Constant assistance, for long-range tours
<b>eMTB/SPORT</b>	Powerful assistance, for sporty start-up, optimal assistance on all types of terrain
TURBO	Maximum assistance up to high pedalling frequencies, for sport riding

Table 17: Overview of levels of assistance

### 3. Riding light symbol

 The riding light symbol is shown when the riding light is on.

### 4. Battery level indicator (display screen)

If the on-board computer is removed from its mount, the last battery level message is saved. The battery level indicator (display screen) can be viewed on the STATUS SCREEN and in the status bar.

### 5. Title screen

The title screen indicates the page name and the displayed function.

### 6. Own power indicator

The power that is currently being applied to the pedals is displayed as a semi-circle.

### 7. Motor power indicator

The motor power used is displayed as a bar. The maximum motor power depends on the selected level for assistance.

### 8. Speed indicator

The speed is displayed either in km/h or mph.

### 3.4.3.2 Status screen

You open the Status screen by pressing the **<- button** on the start screen. You can open the settings on this screen.

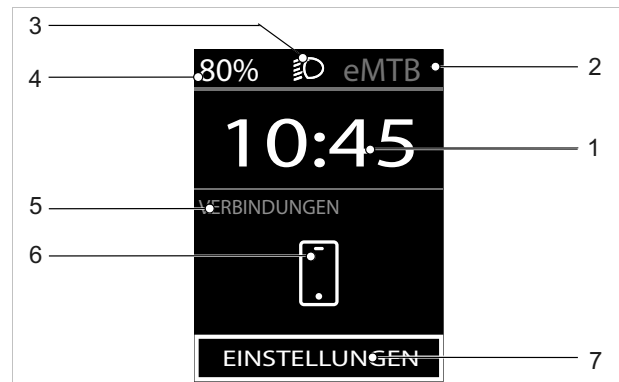


Figure 42: Overview of Status screen

- 1 Clock indicator
- 2 Selected level of assistance indicator
- 3 Riding light symbol
- 4 Battery level indicator (display screen)
- 5 Connections indicator
- 6 Symbol showing connection to smartphone
- 7 Settings
- 8 Connection status

### 3.4.3.3 TRIP screen

You open the Trip screen by pressing the **>- button** on the start screen.

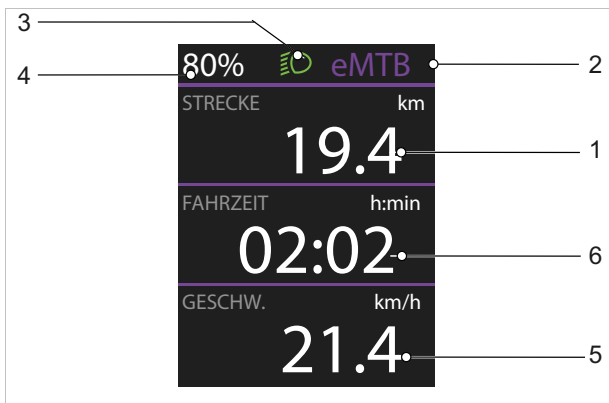


Figure 43: Overview of Trip screen, screen 1

- 1 Distance screen
- 2 Selected level of assistance indicator
- 3 Riding light symbol
- 4 Battery level indicator (display screen)
- 5 Speed indicator
- 6 Riding time indicator

You open the second Trip screen by pressing the **select button**.

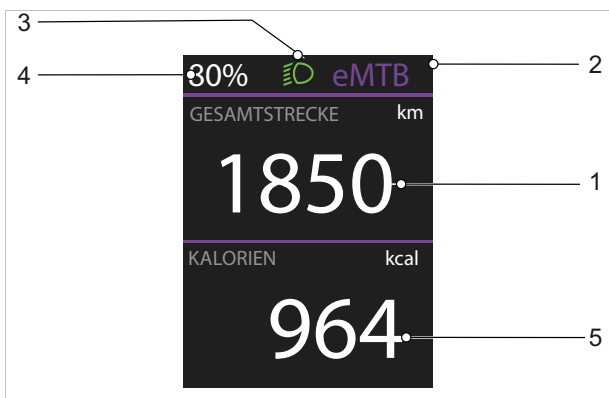


Figure 44: Overview of Trip screen, screen 2

- 1 Total distance screen
- 2 Selected level of assistance indicator
- 3 Riding light symbol
- 4 Battery level indicator (display screen)
- 5 Energy consumption indicator

### 3.4.3.4 Range screen

You open the Range screen by pressing the **>- button** on the start screen.

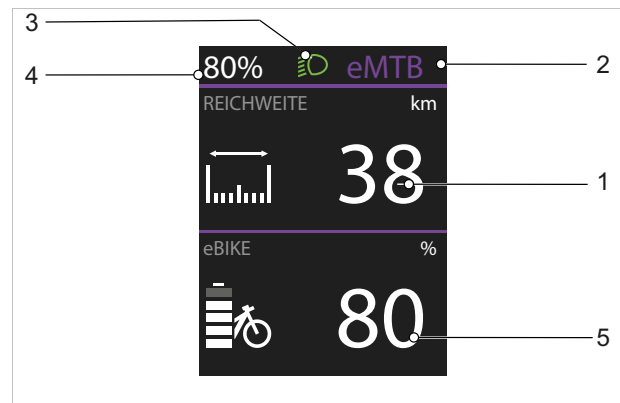


Figure 45: Overview of Range screen, screen 1

- 1 Range indicator
- 2 Selected level of assistance indicator
- 3 Riding light symbol
- 4 Battery level indicator (display screen)
- 5 Battery level indicator 2 (display screen)

You open the second Range screen by pressing the **select button**.

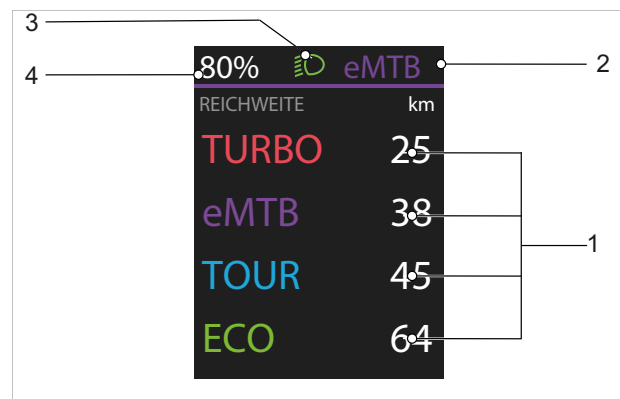


Figure 46: Overview of Range screen, screen 2

- 1 Indicator of range in relation to the level of assistance
- 2 Selected level of assistance indicator
- 3 Riding light symbol
- 4 Battery level indicator (display screen)

### 3.4.3.5 Fitness screen

You open the Fitness screen by pressing the **>- button** on the start screen.

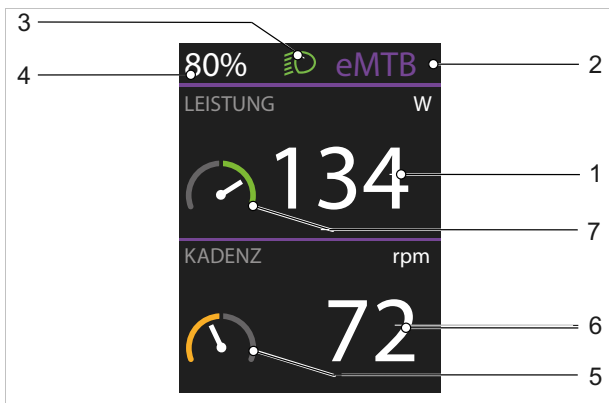


Figure 47: Overview of Fitness screen, screen 1

- 1 Own power indicator
- 2 Selected level of assistance indicator
- 3 Riding light symbol
- 4 Battery level indicator (display screen)
- 5 Destination indicator (below average)
- 6 Pedalling frequency indicator
- 7 Destination indicator (above average)

You open the second Fitness screen by pressing the **select button**.

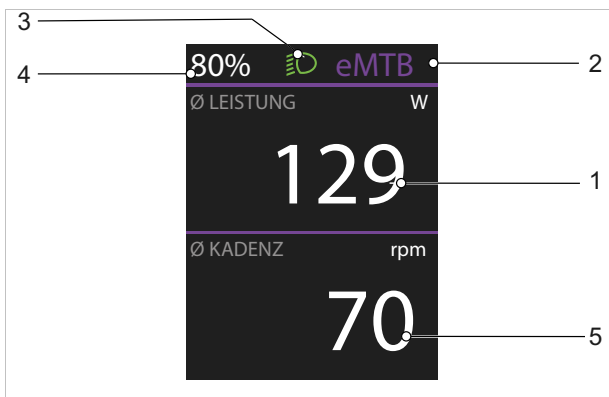


Figure 48: Overview of Fitness screen, screen 2

- 1 Indicator for Average Power in watts
- 2 Selected level of assistance indicator
- 3 Riding light symbol
- 4 Battery level indicator (display screen)
- 5 Indicator for Average Cadence in revolutions per minute

### 3.4.3.6 ABS screen

**Only applies to pedelecs with this equipment**

You open the ABS screen by pressing the **>- button** on the start screen.

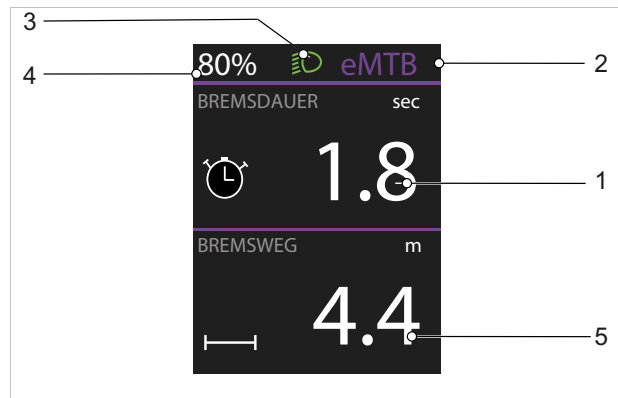


Figure 49: Overview of ABS screen

- 1 Braking Time indicator
- 2 Selected level of assistance indicator
- 3 Riding light symbol
- 4 Battery level indicator (display screen)
- 5 Braking Distance indicator

### 3.4.3.7 Settings

All system and service-relevant values can be read and changed in the settings. The settings menu structure is customised and may change when components or services are added.

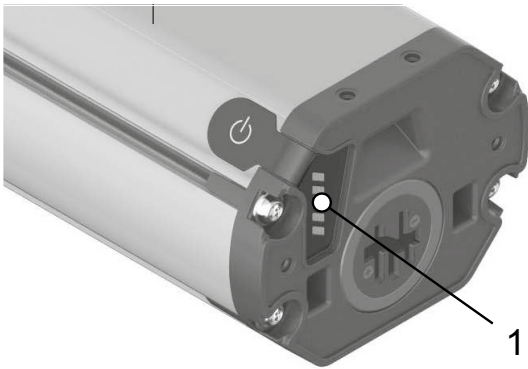
Menu	Submenu
My eBike	
	→ <Range reset>
	→ <Auto trip reset>
	→ <Wheel circumf.>
	→ <Service>
	→ <Components>
My Kiox	
	→ <Status bar>
	→ <Language>
	→ <Units>
	→ <Time>
	→ <Time Format>
	→ <Brightness>
	→ <Settings reset>
Information	
	→ <Contact>
	→ <Certificates>

**Table 18: Basic menu and submenu structure for Kiox 300**



### 3.4.4 Battery level indicator (battery)

Each battery has its own level indicator:



**Figure 50: Position of battery level indicator (1)**

The five green LEDs on the battery level indicator battery show the charge level when the battery is switched on.

Each LED represents about 20% battery capacity. All five LEDs will light up when the battery is fully charged. If the battery level falls below 5%, all the LEDs on the operating status and battery level indicator will go out.

### 3.4.5 Gear shift

#### 3.4.5.1 SHIMANO derailleur gears

Only applies to vehicles with this equipment

The gear shift is on the right of the handlebars.  
The gear shift has one or two shifters.

#### SHIMANO SL-M315 gear shift

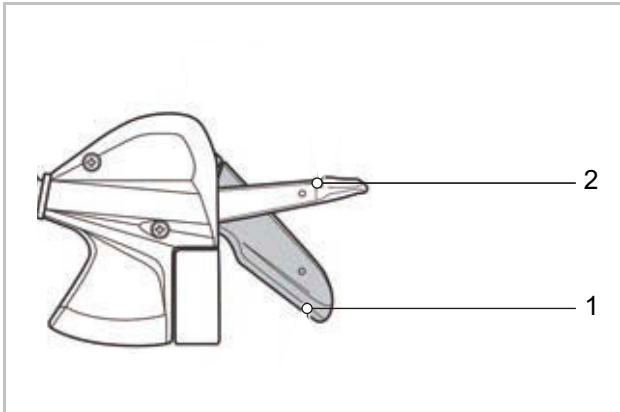


Figure 51: Example of SHIMANO SL-M315

- 1 Shifter A
- 2 Shifter B

#### SHIMANO SL-M3100 gear shift

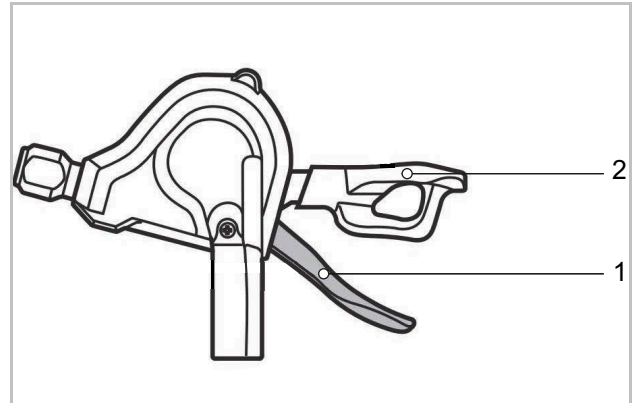


Figure 52: Example of SHIMANO SL-M3100

- 1 Shifter A
- 2 Shifter B (optional)

### 3.4.6 Handbrake

There is a handbrake on the left and right of the handlebars.

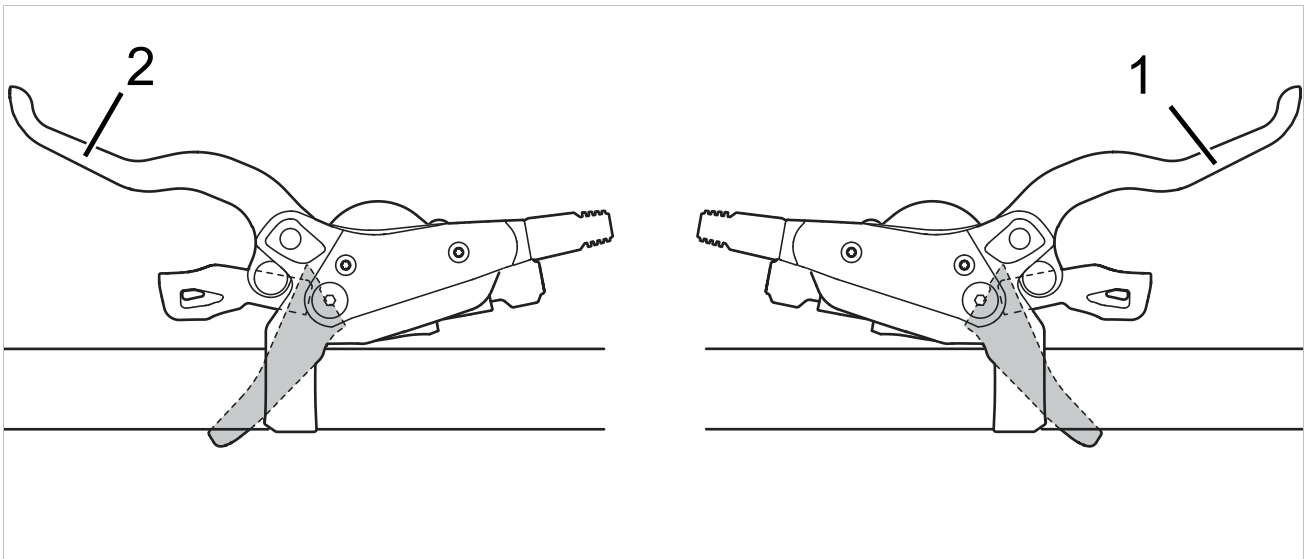


Figure 53: Front wheel (2) and rear (1) brake levers – Shimano brake used as an example

The left handbrake (2) controls the front wheel brake.

The right handbrake (1) controls the rear wheel brake.

### 3.4.7 Fork lock

#### Only applies to vehicles with this equipment

The suspension in suspension forks is adjusted using fork locks. The fork locks are either directly on the suspension fork or can be controlled using the remote control on the handlebars.

#### 3.4.7.1 SR Suntour

The following (compression dampers) may be featured on the suspension fork:

Suspension fork	RL	RL-R	LO	LO-R	HLO
	Lockout with remote control	Lockout with remote control + rebound adjustment	Lockout on the fork	Rebound adjustment + lockout on the fork	Hydraulic lockout
					
Axon		x		x	
CR			x		x
M3010					
MOBIE25		x		x	
NCX	x		x		
NEX	x		x		x
NVX	x				x
XCE					
XCM	x		x	x	
XCR	x	x	x	x	
XCT					x

Table 19: Fork lock by suspension fork

## 3.5 Technical data

### 3.5.1 Pedelec

Power output/system	250 W (0.25 kW)
Shut-off speed	25 km/h
Charging temperature	0 °C ... +45 °C
Operating temperature	-5 °C ... +40 °C
Storage temperature	+10 °C ... +50 °C

Table 20: Pedelec technical data

### 3.5.2 Emissions

The safety requirements as per Electromagnetic Compatibility Directive 2014/30/EU have been met. The pedelec and the charger can be used in residential areas without restriction.

A-weighted emission sound pressure level	< 70 dB(A)
Total vibration level for the hands and arms	< 2.5 m/s <sup>2</sup>
Highest effective value of weighted acceleration for the entire body	< 0.5 m/s <sup>2</sup>

Table 21: Emissions from the pedelec

### 3.5.3 Display mount

Output voltage	4.75... 5.4 V
Output current, max.	1.5 A
Operating temperature	-5 °C ... +40 °C
Storage temperature	+10 °C ... +40 °C
Protection class	IP54

Table 22: Technical data for BOSCH Display Mount BDS3210 | BDS3250 | BDS3620 | BDS3630

### 3.5.4 LED Remote on-board computer

Internal lithium ion battery	3.7 V, 75 mAh
Charging temperature	0 °C ... +45 °C
Operating temperature	-5 °C ... +40 °C
Storage temperature	+10 °C ... +50 °C
Protection class	IP54
Dimensions	74 × 53 × 35
Weight	0.03 kg
<b>Diagnosis interface</b>	
Interface	USB type C®
USB charging cable*	USB type C®
Max. charging current for USB port	600 mA
USB port charge voltage	5 V
<b>BLUETOOTH low energy®</b>	
Frequency	2400...2480 MHz
Transmitting capacity	1 mW

Table 23: Technical data for BOSCH LED Remote on-board computer, BRC3600

\*Not included in the standard scope of delivery

### 3.5.5 BOSCH Kiox 300 display

Operating temperature	-5 °C ... +40 °C
Storage temperature	+10 °C ... +50 °C
Protection class	IP54
Weight about	0.032 kg

Table 24: Technical data for BOSCH Kiox 300 display, BHU3600

### 3.5.6 BOSCH Performance Line CX motor

Mid-drive motor

Maximum continuous power rating	250 W
Max. torque	85 Nm
Nominal voltage	36 V DC
Protection class	IP54
Weight about	3 kg
Operating temperature	-5 °C ... +40 °C
Storage temperature	-10 °C ... +40 °C

Table 25: Technical data for BOSCH Performance Line CX motor, BDU3740, BDU3741

### 3.5.7 Rechargeable battery

#### 3.5.7.1 BOSCH PowerTube 500

Nominal voltage	36 V
Nominal capacity	13.4 Ah
Energy	500 Wh
Weight	3.0 kg
Protection class	IP54
Operating temperature	-5 °C ... +40 °C
Storage temperature	+10 °C ... +40 °C
Permitted charging temperature range	0 °C ... 40 °C

Table 26: Technical data for BOSCH PowerTube 500, BBP3750 horizontal, BBP3751 vertical

#### 3.5.7.2 BOSCH PowerTube 625

Nominal voltage	36 V
Nominal capacity	16.7 Ah
Energy	625 Wh
Weight	3.6 kg
Protection class	IP54
Operating temperature	-5 °C ... +40 °C
Storage temperature	+10 °C ... +40 °C
Permitted charging temperature range	0 °C ... 40 °C

Table 27: Technical data for BOSCH PowerTube 625, BBP3760 horizontal, BBP3761 vertical

#### 3.5.7.3 PowerTube 750 battery

Nominal voltage	36 V
Nominal capacity	20.1 Ah
Energy	750 Wh
Weight	4.3 kg
Protection class	IP54
Operating temperature	-5 °C ... +40 °C
Storage temperature	+10 °C ... +40 °C
Permitted charging temperature range	0 °C ... 40 °C

Table 28: Technical data for BOSCH PowerTube 750, BBP3770 horizontal, BBP3771 vertical

### 3.5.8 ABS

Protection class	IPx7
Operating temperature	-5 °C ... +40 °C
Storage temperature	+10 °C ... +40 °C
Weight	215 g

Table 29: Technical data for BOSCH PowerTube 750, BBP3770 horizontal, BBP3771 vertical

### 3.5.9 Bicycle lighting

Voltage about	12 V
Maximum output	
Front light	17.4 W
Rear light	0.6 W

Table 30: Bicycle lighting

## 3.5.10 KETTLER B-750 FS1 components

<b>Frame</b>	E28	Aluminium, Gent:	40/44/48/52 cm
<b>Rear frame damper</b>	ROCKSHOX, DELUXE SELECT	Air damper <b>Installation length:</b> <b>Deflection:</b> <b>Function:</b> <b>Rebound adjustment:</b> <b>Compression stroke:</b> <b>Damper variant:</b>	230 mm 55 mm H, L, M H, L, L1, LC, M, R
<b>Wheel, front/rear</b>	VR-B-750 / HR-B-750		
<b>Tyres, front/rear</b>	SCHWALBE, NOBBY NIC, Performance	<b>Type:</b> <b>Size:</b> <b>Printing:</b> <b>Max. load:</b> <b>Connection:</b> <b>Version:</b>	Folding 29", 65- 622 Max. 3.0 bar (45.0 psi) 115 kg Addix Speedgrip Super Trail
<b>Tube with valve</b>	SCHWALBE, SV19FB	Presta valve <b>Valve length:</b> <b>Size:</b>	40 mm 54-75 × 622
<b>Rim, front/rear</b>	RADIAL, X30	Aluminium <b>Size:</b>	29"
<b>Hub, front</b>	SHIMANO, HB-MT400-B	Aluminium, front wheel hub, with Center Lock, E-Thru quick release axle (by fork manufacturer) <b>Size:</b>	110 × 15 mm, 14G × 36H
<b>Hub, rear</b>	SHIMANO, FH-MT410-B	Aluminium, freewheel hub for 12-speed, for disc brake, with Center Lock <b>Quick release axle:</b>	M12 × 1.0 pitch (SRAM)
<b>Steering system</b>			
<b>Steering headset</b>	ACROS, 575R2	Aluminium, Aheadset	
<b>Stem</b>	SATORI, Ursa	Aluminium, Ahead stem, adjustable <b>Ø:</b> <b>Stem length:</b> <b>Frame size 41/44:</b> <b>Frame size 48/52:</b>	35 mm 0...35 mm, 0...50 mm
	SATORI	Aluminium, Ahead stem, adjustable	
<b>Handlebars</b>	KALLOY, HBRB12W	Aluminium <b>Ø:</b> <b>Height:</b> <b>Backsweep:</b> <b>Length:</b>	31.8 mm 25 mm 9° 780 mm
<b>Handles, left/right</b>	HERRMANS®, Grind	Length	130/130 mm
<b>Fork</b>	ROCKSHOX, 35 Silver R 29"	Steel suspension fork, lockout operation on the crown <b>Deflection:</b> <b>Head tube:</b> <b>Stanchion:</b> <b>Axle:</b>	150 mm 1.8", aluminium, tapered 35 mm 15 × 110 mm
	ROCKSHOX, 35 Gold RL 29"	Steel suspension fork, lockout operation on the crown <b>Deflection:</b> <b>Head tube:</b> <b>Stanchion:</b> <b>Axle:</b>	150 mm 1.8", aluminium, tapered 35 mm 15 × 110 mm
<b>Seat</b>			
<b>Saddle</b>	Whistle Performance	...	
<b>Seat post</b>	LIMOTEC, Jovial	Suspension seat post <b>Deflection:</b>	40/44: 125 mm/ 48/52: 150 mm
<b>Saddle clamp</b>	COLLAR.RS	Aluminium	

<b>Crank drive</b>		
<b>Pedals</b>	FEIMIN, FP-203ZP	...
<b>Crank set</b>	FSA, CK-220	Aluminium, for BOSCH™ Gen3 motors <b>Crank length:</b> 165 mm
<b>Chain</b>	SHIMANO, DEORE CN-M6100	Chain for gear speeds, with Quick Link <b>Rear:</b> 12 x <b>front:</b> 1/2 x
<b>Chain wheels</b>	FSA, Direct Mount steel chainring	Steel, chainring with spider, with chain guard, for BOSCH™ motor <b>Teeth:</b> 38T
<b>Chain guard</b>	FSA	...
<b>Brake</b>		
<b>Brake lever, front/rear</b>	SHIMANO, BL-MT401	Brake lever for hydraulic disc brake, 2-finger
<b>Brake, front/rear</b>	SHIMANO, BR-MT420	Hydraulic disc brake, 4-piston
<b>Brake disc, front/rear</b>	SHIMANO, SM-RT30	Steel, 6-hole mount <b>Ø:</b> 203 mm
<b>Gear shift</b>		
<b>Shifter</b>	SHIMANO, DEORE SL-M6100-I	Shifter, 1 × 12-speed
<b>Gear type</b>	Derailleur gears	
<b>Rear derailleur</b>	SHIMANO, DEORE RD-M6100-SGS	12-speed
<b>Front derailleur</b>	...	...
<b>Sprocket</b>	SHIMANO, CS-M6100	Cassette sprocket, 12-speed <b>Teeth combination:</b> (10-51T) 10-12-14-16-18-21-24-28-33-39-45-51T
<b>Derailleur hanger</b>	SHIMANO, OT-SP41	...
<b>Accessories</b>		
<b>Battery lock</b>	ABUS, 64313	...




## 3.5.11 KETTLER B-750 FS2 components

<b>Frame</b>	E28	Aluminium, Gent:	40/44/48/52 cm
<b>Rear frame damper</b>	ROCKSHOX, DELUXE SELECT	Air damper <b>Installation length:</b> <b>Deflection:</b> <b>Function:</b> <b>Rebound adjustment:</b> <b>Compression stroke:</b> <b>Damper variant:</b>	230 mm 65 mm H, L, M H, L, L1, LC, M, R
<b>Wheel, front/rear</b>	VR-B-750 / HR-B-750		
<b>Tyres, front/rear</b>	SCHWALBE, NOBBY NIC, Performance	<b>Type:</b> <b>Size:</b> <b>Printing:</b> <b>Max. load:</b> <b>Connection:</b> <b>Version:</b>	Folding 29", 65- 622 Max. 3.0 bar (45.0 psi) 115 kg Addix Speedgrip Super Trail
<b>Tube with valve</b>	SCHWALBE, SV19FB, light	Presta valve <b>Valve length:</b> <b>Size:</b>	40 mm 54-75 × 622
<b>Rim, front/rear</b>	RADIAL, X30	Aluminium <b>Size:</b>	29"
<b>Hub, front</b>	SHIMANO, HB-MT400-B	Aluminium, front wheel hub, with Center Lock, E-Thru quick release axle (by fork manufacturer) <b>Size:</b>	110 × 15 mm, 14G × 36H
<b>Hub, rear</b>	SHIMANO, FH-MT400-B	Aluminium, cassette hub, for disc brake, Center Lock <b>Quick release axle:</b>	12 × 148 mm – E-Thru
<b>Steering system</b>			
<b>Steering headset</b>	ACROS, 575R2	Aluminium, Aheadset	
<b>Stem</b>	SATORI, Ursa	Aluminium, Ahead stem, adjustable <b>Ø:</b> <b>Stem length:</b> <b>Frame size 41/44:</b> <b>Frame size 48/52:</b>	35 mm 0...35 mm, 0...50 mm
<b>Handlebars</b>	KALLOY, HBRB12W	Aluminium <b>Ø:</b> <b>Height:</b> <b>Backsweep:</b> <b>Length:</b>	31.8 mm 25 mm 9° 780 mm
<b>Handles, left/right</b>	HERRMANS®, Grind	Length	130/130 mm
<b>Fork</b>	ROCKSHOX, 35 Gold RL 29"	Steel suspension fork, lockout operation on the crown <b>Deflection:</b> <b>Head tube:</b> <b>Stanchion:</b> <b>Axle:</b>	150 mm 1.8", aluminium, tapered 35 mm 15 × 110 mm
<b>Seat</b>			
<b>Saddle</b>	Whistle Performance	...	
<b>Seat post</b>	LIMOTEC, A1	Aluminium, lowerable seat post <b>Ø:</b> <b>Lowerable length:</b> <b>Frame size 41/44:</b> <b>Frame size 48/52:</b> Length: <b>Frame size 41/44:</b> <b>Frame size 48/52:</b> <b>Max. rider's weight:</b>	130.9 mm 125 mm 150 mm 405 mm 445 mm 120 kg
<b>Saddle clamp</b>	COLLAR.RS	Aluminium	

<b>Crank drive</b>		
<b>Pedals</b>	FEIMIN, FP-203ZP	...
<b>Crank set</b>	FSA, CK-220	Aluminium, for BOSCH™ Gen3 motors <b>Crank length:</b> 165 mm
<b>Chain</b>	KMC, X12 Silver	Chain Length: 126 links
<b>Chain wheels</b>	FSA, Direct Mount steel chainring	Steel, chainring with spider, with chain guard, for BOSCH™ motor, with aluminium spider <b>Teeth:</b> 34T
<b>Chain guard</b>	FSA	...
<b>Brake</b>		
<b>Brake lever, front/rear</b>	SHIMANO, BL-MT4000	Brake lever for hydraulic disc brake, 2-finger
<b>Brake, front/rear</b>	SHIMANO, BR-MT420	Hydraulic disc brake, 4-piston
<b>Brake disc, front/rear</b>	SHIMANO, SM-RT30	Steel, 6-hole mount <b>Ø:</b> 203 mm
<b>Gear shift</b>		
<b>Shifter</b>	SRAM, SX EAGLE™ TRIGGER SHIFTER	Electric shifter; can be paired Protection rating: IPX7 Battery: coin cell, CR2032
<b>Gear type</b>	Derailleur gears	
<b>Rear derailleur</b>	SRAM, SX EAGLE™	...
<b>Sprocket</b>	SRAM, PG-1210 EAGLE™	Cassette sprocket, 12-speed <b>Teeth combination:</b> (11-50T) 11-13-15-17-19-22-25-28-32-36-42-50T
<b>Derailleur hanger</b>	SHIMANO, OT-SP41	...
<b>Battery lock</b>	ABUS, 64313	...

## 3.5.12 Torque

Model	Torque	Tool
<b>Axle</b>		
<b>Conventional axle nut</b>	35 ... 40 Nm*	15 mm spanner
<b>SR SUNTOUR screw-on axle 12AH2</b> Axle Securing screw	8 ... 10 Nm 5 ... 6 Nm	6 mm hex bit 5 mm hex bit
<b>SR SUNTOUR screw-on axle 15AH2</b> Axle Securing screw	8 ... 10 Nm 5 ... 6 Nm	6 mm hex bit 5 mm hex bit
<b>Intend. Edge</b> Axle Securing screw	3 ... 5 Nm 10 Nm	M6
<b>Rechargeable battery</b>		
<b>BOSCH PowerPack 400/500/600/800</b> 4 × attachment screws for casing base locking mechanism 2 × attachment screws for cover 2 × attachment screws for cover 2 × attachment screws for bracket on cable side 1 × attachment screw for bracket on cable side 2 × attachment screws for bracket on lock side 1 × attachment screws for bracket on lock side	5 Nm 2 Nm 2 Nm 1.3 Nm 5 Nm 5 Nm 1 Nm	Torx® T25, M5 × 20 M3.5 × 12 M3.5 × 12 (pointed) Torx® T15 Torx® T25, M5 × 20 Torx® T25 Torx® T15, M3.5 × 12
<b>Display</b>		
<b>FIT Comfort/Compact bracket</b> Attachment screw	0.5 Nm	Hex key, 2.5 mm
<b>FIT Comfort/Compact</b> Mounting bracket	0.8 Nm	Torx® T20
<b>On-board computer</b>		
<b>FIT Remote Basic</b> Mounting bracket	0.8 Nm	Torx® T20
<b>FIT Remote Display</b> Mounting bracket	0.8 Nm	Torx® T20
<b>BOSCH Intuvia 100 bracket</b>  Attachment screw 1, M3 × 22 Attachment screw 2, M3 × 14	1 Nm 1 Nm	3 mm hex bit 3 mm hex bit
<b>BOSCH System Controller</b> Attachment screw	0.5 Nm	Torx® T10

<b>BOSCH Mini Remote</b> Attachment screw	0.4 Nm (not 0.6 Nm, as written on mini-remote)	3 mm hex bit
<b>SHIMANO SC-E5003</b> Attachment screw	0.8 Nm	3 mm hex bit
<b>Brake linings</b>		
<b>SHIMANO</b> Circlip	2 ... 4 Nm	Hex key, 3 mm Slotted-head screwdriver
<b>TEKTRO for hydraulic disc brake system</b> Attachment screws	3 ... 5 Nm	Hex key, 3 mm
<b>Brake cable</b>		
<b>SHIMANO</b> Connecting screw, handbrake	5 ... 7 Nm	Screw wrench, 8 mm
<b>SHIMANO</b> Connecting screw, brake calliper, version for banjo type connection	5 ... 7 Nm 8 ... 10 Nm	Hex key, 3 mm Hex key, 4 mm
<b>SHIMANO</b> Connecting screw for brake calliper, straight version	5 ... 7 Nm	Hex key, 3 mm
<b>SHIMANO for racing bicycles</b> Connecting screw for cable sleeve	5 ... 7 Nm	Screw wrench, 8 mm
<b>TEKTRO for hydraulic disc brake system</b> Bleed valve on brake calliper	4 ... 6 Nm	#
<b>TEKTRO for hydraulic disc brake system</b> Lock screw for the fluid reservoir on the handbrake	2 ... 4 Nm	Torx® T15
<b>Brake calliper</b>		
<b>SHIMANO</b> Adapter attachment screw and brake calliper attachment screw, version with IS brake mount	6 ... 8 Nm	...
<b>SHIMANO</b> Brake calliper attachment screw, post-mount version	6 ... 8 Nm	...
<b>TEKTRO for hydraulic disc brake system</b> Adapter attachment screws	6 ... 8 Nm	#
<b>TEKTRO for hydraulic disc brake system</b> Brake calliper attachment screw	6 ... 8 Nm	Hex key, 5 mm
<b>Brake disc</b>		
<b>SHIMANO for centre lock type</b> Quick release attachment screw	40 ... 50 Nm	TL-LR15 TL-FC36/TL-LR11 Adjustable spanner
<b>SHIMANO for centre lock type</b> Attachment screw, nut version	40 ... 50 Nm	TL-LR10 Screw wrench

<b>SHIMANO for 5-hole version</b> Attachment screws	2 ... 4 Nm	Star bit [no. 25]
<b>SHIMANO for 6-hole version</b> Attachment screws	2 ... 4 Nm	Star bit [no. 25]
<b>TEKTRO for hydraulic disc brake system</b> Attachment screws	4 ... 6 Nm	Torx® T25
<b>Cantilever brake</b>		
<b>SHIMANO</b> Brake calliper attachment screw	5 ... 7 Nm	Hex key, 5 mm
<b>SHIMANO</b> Attachment screw for brake shoe	8 ... 9 Nm	Hex key, 5 mm Screw wrench, 10 mm
<b>SHIMANO</b> Bowden cable attachment screw	6 ... 8 Nm	Hex key, 5 mm
<b>Dual pivot rim brake</b>		
<b>SHIMANO</b> Attachment screw	8 ... 10 Nm	Hex key, 5 mm
<b>SHIMANO, models with nut</b> Attachment screw	8 ... 10 Nm	Screw wrench, 10 mm
<b>SHIMANO</b> Attachment screw for brake shoe	5 ... 7 Nm	Hex key, 4 mm
<b>SHIMANO, left side</b> Attachment screw for brake cable	6 ... 8 Nm	Hex key, 5 mm
<b>SHIMANO, right side</b> Attachment screw for brake cable	1 ... 1.5 Nm	Hex key, 2 mm
<b>Seat post remote control</b>		
<b>Eightpins</b> Attachment screw Bowden cable fastener	2.5 Nm 5 Nm	4 mm hex bit 3 mm hex bit
<b>Freewheel</b>		
<b>SHIMANO</b>	35 Nm	Multiple freewheel tool TL-FW3
<b>Suspension fork</b>		
<b>Intend Edge</b> Double bridge screw	12 Nm	
<b>SR SUNTOUR</b> Suspension side, top, plastic	5 Nm	
<b>SR SUNTOUR</b> Suspension side, top, aluminium	20 Nm	
<b>SR SUNTOUR</b> Suspension side, bottom	10 Nm	Hex bit (torque)
<b>SR SUNTOUR</b> Suspension side, bottom	8 Nm	Aluminium nut (torque)
<b>SR SUNTOUR</b> Suspension side, bottom, (Adjust deflection)	7 Nm	
<b>SR SUNTOUR</b> Damping side, top, plastic	5 Nm	

<b>SR SUNTOUR</b> Damping side, top, aluminium	20 Nm	
<b>SR SUNTOUR</b> Damping side, bottom, without adjuster	10 Nm	
<b>SR SUNTOUR</b> Damping side, bottom, with adjuster	7 Nm	
<b>SR SUNTOUR</b> Fork head clamps	7 Nm	
<b>SRAM RockShox, 35</b> Cover cap	28 Nm	socket nut, 24 mm
<b>SRAM RockShox, Lyrik, ZEB</b> Compression damper cover cap	28 Nm	RockShox cover cap/cassette tool (or standard cassette tool)
<b>SRAM RockShox, Lyrik, ZEB</b> DebonAir+ suspension cover cap	28 Nm	RockShox cover cap/cassette tool (or standard cassette tool)
<b>SRAM RockShox, Lyrik, ZEB</b> Dual Position air suspension cover cap	28 Nm	socket nut, 24 mm
<b>SRAM RockShox, 35</b> Attachment screw – compression adjustment ring and remote operation ring	1.4 Nm	2.5 mm hex bit
<b>SRAM RockShox, Lyrik, ZEB</b> Attachment screw – compression adjuster Charger RC (Select)	1.35 Nm	2.5 mm hex bit
<b>SRAM RockShox, Lyrik, ZEB</b> Attachment screw – compression adjustment ring Charger RC (Select)	0.75 ... 1.1 Nm	2.5 mm hex bit
<b>SRAM RockShox, 35</b> Attachment screw – deflection adjustment ring (Dual Position Coil)	1.35 Nm	2.5 mm hex bit
<b>SRAM RockShox, Lyrik, ZEB</b> ButterCup housing guide rod end plate - end plate to guide rod - air suspension and damper	3.3 Nm	Torx® T25
<b>SRAM RockShox, Lyrik, ZEB</b> ButterCup housing (top) to ButterCup housing (bottom) – air suspension and damper	3.3 Nm	23 mm spanner head
<b>SRAM RockShox</b> Bottomless Tokens	4 Nm	8 mm socket nut and 24 mm hex bit
<b>SRAM RockShox, Lyrik, ZEB</b> Sealing head (rebound) for damper cartridge barrel cover cap – Charger RC (Select), Rush RC (Base)	2 Nm	10 mm socket nut
<b>SRAM RockShox, Lyrik, ZEB</b> Pressure relief valve (PRV) and stopper	9 Nm	19 mm spanner head

<b>SRAM RockShox</b> Locking screw – remote control stop ring	Hand-tight or 0.1 ... 0.3 Nm	2 mm hex bit
<b>SRAM RockShox, Lyrik, ZEB</b> Clamping screw – rebound adjuster ring	0.84 Nm	2.5 mm hex bit
<b>SRAM RockShox, Lyrik, ZEB</b> Air suspension guide rod insert (Select+, Select, Base – only DebonAir+)	3.3 Nm	5 mm hex bit
<b>SRAM RockShox, Lyrik, ZEB</b> Cam adjuster clamping screw – compression damper adjuster (HSC) × 2	0.56 Nm	2.5 mm hex bit
<b>SRAM RockShox</b> Lower screws	6.8 Nm	5 mm hex bit
<b>Handbrake</b>		
<b>SHIMANO</b> Attachment screw	6 ... 8 Nm	Hex key, 4 mm Hex key, 5 mm
<b>SHIMANO</b> Attachment screw BL-M987/ BL-M9000/BL-M9020	4 ... 6 Nm	Hex key, 4 mm
<b>SHIMANO, lever for disc brake</b> Bleed nipple	4 ... 6 Nm	Socket wrench, 7 mm
<b>SHIMANO, lever for disc brake</b> Bleed screw	0.3 ... 0.5 Nm	...
<b>TEKTRO for hydraulic disc brake system</b> Attachment screws	5 ... 7 Nm	Hex key, 4 mm
<b>Chainring</b>		
<b>FIT, Brose FIT</b> Crank start spider locking	28 Nm	ISIS bottom bracket axle tool
<b>FIT, Panasonic FIT</b> Crank star screws	13 Nm	Hex key, 5 mm
<b>FIT, Panasonic FIT</b> Crank start spider locking	40 Nm	ISIS bottom bracket axle tool
<b>FIT, Panasonic FIT</b> Crank star screws	13 Nm	Hex key, 5 mm
<b>SHIMANO, for MTB/trekking</b> Largest chainring Medium chainring Smallest chainring	14 ... 16 Nm 16 ... 17 Nm	...
<b>SHIMANO, single version</b> Attachment screw for crank/chainring	12 ... 14 Nm	5 mm hex key/star bit [No. 30]
<b>SHIMANO, dual version</b> Largest chainring Smallest chainring	12 ... 14 Nm 16 ... 17 Nm	5 mm hex key/star bit [No. 30] 5 mm hex key/star bit [No. 30]
<b>SHIMANO, triple design</b> Largest chainring Medium chainring Smallest chainring	12 ... 14 Nm 16 ... 17 Nm	5 mm hex key/star bit [No. 30] 5 mm hex key/star bit [No. 30]

<b>SHIMANO, FC-M8000, single version</b> Attachment screw for crank/ chainring	12 ... 14 Nm	Star bit [no. 30]
<b>SHIMANO, FC-M8000, dual version</b> Largest chainring Smallest chainring	12 ... 14 Nm 16 ... 17 Nm	Star bit [no. 30] Star bit [no. 30]
<b>SHIMANO, FC-M8000, triple version</b> Largest chainring Medium chainring Smallest chainring	10 ... 12 Nm 16 ... 17 Nm	Star bit [no. 30] Star bit [no. 30]
<b>Chain guard</b>		
<b>Brose chain guard bash guard</b> Attachment screws	6 Nm	Hex key, 3 mm
<b>Chain guard for BOSCH Motor BDU37xx</b> Attachment screws	max. 10 Nm	M6 × 10; head: max. 5 mm; length: max. 8.5-mm
<b>Crank bearing/crank set</b>		
Conventional cartridge crank bearing	35 ... 45 Nm	...
<b>SHIMANO, HOLLOWTECH li/two-part crank set</b> Linker for adapter and inner sleeve	35 ... 50 Nm	TL-FC24/TL-FC25/TL-FC32/TL-FC36
<b>SHIMANO, HOLLOWTECH li/two-part crank set</b> Cap	0.7 ... 1.5 Nm	TL-FC16 / TL-FC18
<b>SHIMANO, HOLLOWTECH li/two-part crank set</b> Screw for left-hand crank arm	12 ... 14 Nm	Hex key, 5 mm
<b>SHIMANO, OCTALINK model</b> Linker for adapter and main body	50 ... 70 Nm	TL-UN74-S/ TL-UN66
<b>SHIMANO, OCTALINK model</b> Crank set	35 ... 50 Nm	Hex key, 8 mm Hex key, 10 mm
<b>SHIMANO, SQUARE model</b> Linker for adapter and body	50 ... 70 Nm	TL-UN74-S
<b>SHIMANO, SQUARE model</b> Crank set	35 ... 50 Nm	Hex key, 8 mm
<b>Handlebars</b>		
<b>Clamping screw, conventional</b>	5 ... 7 Nm*	#
<b>CONTROL TECH</b> Handlebar clamp with one or two screws	14 ... 16 Nm	#
<b>SHIMANO</b> Handlebar clamp with one or two screws	20 ... 29 Nm	#
<b>Motor</b>		
<b>FIT, Brose S-Mag FIT</b> Motor attachment screws (horizontal/vertical)	23/25 Nm	Socket wrench, AF 13 mm Hex key, AF 6 mm
<b>FIT, Panasonic FIT</b> Motor attachment screws	20 ... 24 Nm	Hex key, 6 mm



<b>BOSCH motor BDU37xx</b> 6 x attachment screws for motor	20 ± 2 Nm	Torx Plus® P40, M8 × 16
		
<b>Motor cover</b>		
<b>BOSCH motor cover BDU37xx</b>		
Attachment screws for lower motor cover	Initial fitting: 3 ± 0.5 Nm Retrofit: 2 ± 0.5 Nm	Torx® TX 20
Attachment screws for motor cover	Initial fitting: 3 ± 0.5 Nm Retrofit: 2 ± 0.5 Nm	Torx® TX 20, 4 × 8 mm
<b>Brose FIT motor cover</b>	1 Nm	Hex key, 3 mm
<b>Hub</b>		
<b>ROHLOFF, 14/500</b> Bayonet lock/cable drum screws	1.5 Nm	2 mm hex bit
<b>ROHLOFF, 14/500</b> Oil drain screw	0.5 Nm	3 mm hex bit
<b>ROHLOFF, 14/500</b> Attachment screw for chain tensioner and torque support collar	...	5 mm hex bit
<b>ROHLOFF, 14/500</b> To rotate the gear shift shaft	...	Open-end spanner 8 mm
<b>ROHLOFF, 14/500</b> All other screws	3 Nm	Torx® TX 20
<b>ROHLOFF, 14/500</b> CC versions	7 Nm	
<b>ROHLOFF, 14/500</b> Axle nut TS	30 ... 35 Nm	
<b>ROHLOFF, 14/500</b> Frame collar clamp attachment screw	6 Nm	4 mm hex bit
<b>ROHLOFF, 14/500</b> Axle plate attachment screw	7 Nm	5 mm hex bit
<b>ROHLOFF, 14/500</b> Chainring screws	7 Nm	5 mm hex bit
<b>ROHLOFF, 14/500</b> Attachment screw for disc brake mount	8 Nm	M6
<b>ROHLOFF, 14/500</b> Disc brake attachment screw	10 Nm	5 mm hex bit
<b>ROHLOFF, 14/500</b> Axle plate screws	3 Nm	Torx® TX 20
<b>ROHLOFF, 14/500</b> Torque support collar clamp screw	2.5 Nm	
<b>ROHLOFF, 14/500</b> Frame collar clamp	6 Nm	SW10 screw wrench; hold screw in place with 4 mm hex bit

<b>ROHLOFF, 14/500</b> Chain tensioner attachment screw	8 Nm	5 mm hex bit
<b>ROHLOFF, 14/500</b> Chain guide attachment screw	3 Nm	Torx® TX 20
<b>ROHLOFF, 14/500</b> Rear spacer sleeve attachment screw	3 Nm	Torx® TX 20
<b>ROHLOFF, 14/500</b> Attachment screw for shift handle on handlebars	1 Nm	2.5 mm hex bit
<b>ROHLOFF, 14/500</b> End stop	3 Nm	Torx® TX 20
<b>ROHLOFF, 14/500</b> Cable guide	6 Nm	4 mm hex bit
<b>SHIMANO quick release version</b> FH-M3050, FH-M4050, FH-MT200-B, FH-MT400, FH-MT400-B, FH-MT500, FH-MT500-B, FH-MT510, FH-MT510-B, FH-RM33, FH-RM35, FH-TX505 FH-TY505, FH-UR600 HB-M3050, HB-M4050, HB-MT200, HB-MT400, HB-MT400-B, HB-RM33, HB-TX505 <b>SLX</b> FH-M7000, FH-M7010, FH-M7010-B HB-M7000, HB-M7010, HB-M7010-B <b>DEORE</b> FH-M618, FH-M618-B, FH-M6000, FH-M6010, FH-M6010-B, HB-M618, HB-M618-B, HB-M6000, HB-M6010, HB-M6010-B Brake disc attachment screw	40 Nm	Adjustable spanner and special tool TL-LR15 (SHIMANO)
<b>SHIMANO E-THRU quick release axle</b> Retaining ring for brake disc	40 Nm	Special tool TL-FC36 (SHIMANO)
<b>SHIMANO, FH-M3050, FH-M4050, FH-M7000, FH-M6000, FH-RM33, FH-RM35, FH-UR600</b> <b>Attachment screw, freewheel body</b>	35 ... 50 Nm	10 mm hex bit
<b>SHIMANO, FH-MT200, FH-TX505, FH-TY505</b> <b>Attachment screw, freewheel body</b>	147 ... 200 Nm	12 mm hex bit
<b>SHIMANO, FH-M7010, FH-M7010-B, FH-M6010, FH-M6010-B, FH-M618, FH-M618-B, FH-MT400, FH-MT400-B, FH-MT500, FH-MT500-B, FH-MT510, FH-MT510-B</b> Lock nut	15 ... 20 Nm	Hub spanner, 17 mm

<b>SHIMANO</b> , HB-M7000, HB-M6000 HB-M4050 Lock nut	10 ... 15 Nm	Hub spanner, 13 mm and 17 mm
<b>SHIMANO</b> , HB-M7010, HB-M7010-B HB-M6010, HB-M6010-B, HB-M618, HB-M618-B, HB-MT400, HB-MT400-B Lock nut	21 ... 26 Nm	Hub spanner, 22 mm
<b>SHIMANO hub dynamo</b> E2 model	20 - 25 Nm	Screw wrench
<b>SHIMANO hub dynamo</b> J2 model	20 Nm	Screw wrench
<b>SHIMANO hub dynamo</b> J2-A model	20 Nm	Screw wrench
<b>Pedal</b>		
<b>Pedal, conventional</b>	33 ... 35 Nm	Screw wrench, 15 mm
<b>SHIMANO</b> Attachment screw	35 ... 55 Nm	Screw wrench, 15 mm
<b>Seat post</b>		
<b>by.schulz, G1</b> M8 seat clamp screw M5 fixing grub screws	20 ... 24 Nm 3 Nm	2.5 mm hex bit
<b>by.schulz, G2</b> M6 seat clamp screw M5 fixing grub screws	12 ... 14 Nm 3 Nm	2.5 mm hex bit
<b>EIGHTPINS NGS2</b> Seat post axle Slipper clutch Valve cover Post pin axle Rear clamping screw (saddle) M5 attachment screw for outer sleeve	8 Nm 18 Nm 0.5 Nm 8 Nm 8 Nm 0.5 Nm	6 mm hex bit 3 mm hex bit 5 mm hex bit 5 mm hex bit 3 mm hex bit 3 mm hex bit
<b>EIGHTPINS H01</b> Seat post axle Slipper clutch Valve cover Post pin axle Rear clamping screw (saddle) M5 attachment screw for outer sleeve	8 Nm 18 Nm 0.5 Nm 8 Nm 8 Nm 0.5 Nm	6 mm hex bit 3 mm hex bit 5 mm hex bit 5 mm hex bit 3 mm hex bit 3 mm hex bit
<b>LIMOTEC LimoDP</b> Clamping screw for seat post Clamping screw for saddle	6 ... 7 Nm 7 ... 9 Nm	
<b>SR SUNTOUR suspension seat post</b> Saddle clamp screw M5 fixing grub screws	15 ... 18 Nm 3 Nm	5.0 mm hex bit 2.5 mm hex bit
<b>Shifter</b>		
<b>SHIMANO DEORE SL-M4100</b> Attachment screw	3 Nm	4 mm hex bit
<b>SHIMANO DEORE SL-M5100</b> Attachment screw	3 Nm	4 mm hex bit
<b>SHIMANO DEORE SL-M6100</b> Attachment screw	3 Nm	4 mm hex bit

<b>SHIMANO DEORE XT SL-M8100</b> Attachment screw	3 Nm	4 mm hex bit
<b>SHIMANO DEORE XT SL-M8130</b> Attachment screw	3 Nm	4 mm hex bit
<b>SHIMANO, SLX SL-M7100</b> Attachment screw	3 Nm	4 mm hex bit
<b>SHIMANO XTR SL-M9100</b> Attachment screw	3 Nm	4 mm hex bit
<b>SRAM AXS Controller</b> Collar attachment screw	2 Nm	Torx® T25
<b>Rear derailleur</b>		
<b>SHIMANO for MTB/trekking</b> Attachment screw, standard type	8 ... 10 Nm	Hex key, 5 mm
<b>SHIMANO for MTB/trekking</b> Attachment screw with bracket	3 ... 4 Nm	Hex key, 5 mm
<b>SHIMANO for BMX bicycles</b> Attachment screw	3 ... 4 Nm	Adjustable spanner
<b>SHIMANO for MTB/trekking</b> Attachment screw for inner cable	6 ... 7 Nm	Hex key, 4 mm/ Hex key, 5 mm/ Adjustable spanner
<b>SHIMANO for MTB/trekking</b> Attachment screw for the guide pulley	2.5 ... 5 Nm	Hex key, 3 mm
<b>SHIMANO for MTB/trekking</b> Attachment screw for the tensioning roller	2.5 ... 5 Nm	Hex key, 3 mm
<b>SHIMANO for racing bicycles</b> Attachment screw, standard type	8 ... 10 Nm	Hex key, 5 mm
<b>SHIMANO for racing bicycles</b> Attachment screw with bracket	3 ... 4 Nm	Screw wrench
<b>SHIMANO for racing bicycles</b> Attachment screw for inner cable	6 ... 7 Nm	Hex key, 4 mm/ Hex key, 5 mm
<b>SHIMANO for racing bicycles</b> Attachment screw for pulley	2.5 ... 5 Nm	Hex key, 3 mm
<b>Headlight</b>		
<b>FUXON headlight</b> Attachment screw	>5 Nm	...
<b>SUPERNOVA, M99 Pure/Pure+, V521s</b> Attachment screw	2 Nm	M6 attachment screw, self-locking nut, washer
<b>SUPERNOVA, M99 Pure/Pure+, V521s</b> Stem screw	6 Nm	
<b>Front derailleur</b>		
<b>SHIMANO for MTB/trekking</b> Attachment screw, clip type, E-type and direct fitting	5 ... 7 Nm	Hex key, 5 mm

<b>SHIMANO for MTB/trekking</b> Inner bearing adapter	35 ... 50 Nm	...
<b>SHIMANO for MTB/trekking</b> Top swing screw, clip type and e-type	5 ... 7 Nm	Hex key, 5 mm/ Screw wrench, 9 mm
<b>SHIMANO for MTB/trekking</b> Down swing screw, clip type, direct fitting	5 ... 7 Nm	Hex key, 5 mm
<b>SHIMANO for racing bicycles</b> Attachment screw	5 ... 7 Nm	Hex key, 5 mm/ Screw wrench, 9 mm
<b>SHIMANO for racing bicycles</b> Bowden cable attachment screw	6 ... 7 Nm	Hex key, 5 mm
<b>Underride guard</b>		
<b>FIT, Brose</b> Attachment screws	6 Nm	Socket wrench, 8 mm Hex key, 4 mm Hex key, 3 mm
<b>V-Brake brake</b>		
<b>SHIMANO</b> Attachment screw for connecting cable	6 ... 8 Nm	Hex key, 5 mm
<b>SHIMANO</b> Brake shoe nut	6 ... 8 Nm	Hex key, 5 mm
<b>SHIMANO</b> Bowden cable attachment screw	6 ... 8 Nm	Hex key, 5 mm
<b>Stem</b>		
<b>FSA, carbon quill stem</b>	9 Nm	15 mm spanner

## 4 Transporting and storing

### 4.1 Weight and dimensions for transportation

Weight and dimensions during transport

Type no.	Frame [cm]	Dimensions Box [cm]	Weight** [kg]	Shipping weight [kg]
KB160-xxKD	40	196 × 29 × 121	25	37
	44	196 × 29 × 121	25	37
	48	196 × 29 × 121	25	37
	52	196 × 29 × 121	25	37
KB160-xxKW	40	196 × 29 × 121	25	37
	44	196 × 29 × 121	25	37
	48	196 × 29 × 121	25	37
	52	196 × 29 × 121	25	37

**Table 31: Type number, model and pedelec type**

\* Vehicle weight without battery

# Not yet available when the instructions were produced

### 4.2 Designated handles, lifting points

The box does not have any handles.

## 4.3 Transporting



### Crash caused by unintentional activation

There is a risk of injury if the drive system is activated unintentionally.

- ▶ Remove the battery.

### 4.3.1 Using the transport securing system

Applicable for pedelec disc brakes only



### Oil leak if no transport securing device

The brake securing device prevents the brakes from being applied accidentally during transportation or shipment. This could cause irreparable damage to the brake system or an oil leak, which will harm the environment.

- ▶ Never push the brake lever when the wheel has been dismantled.
  - ▶ Always use the transport securing system when transporting or shipping.
- 
- ▶ Insert the **transport securing devices** between the brake linings.
- ⇒ Transport securing device is squeezed between the two linings and prevents undesired sustained braking which can cause brake fluid to leak out.

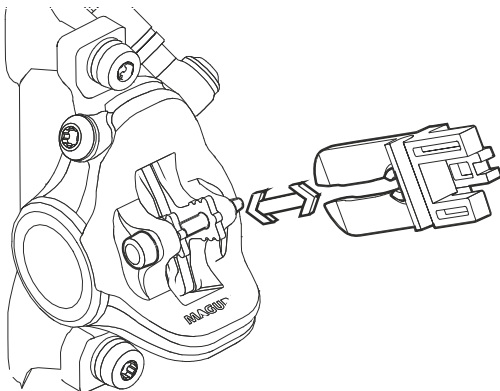


Figure 54: Fastening the transport securing device

## 4.3.2 Transporting the pedelec

Bicycle rack systems which use the handlebars or frame to hold the pedelec in an upside-down position exert inadmissible forces on its components during transportation. This can cause the supporting parts to break.

- ▶ Never use bicycle rack systems which hold the pedelec in an upside-down position resting on its handlebars or frame. The specialist dealer will give a consultation on correct selection and safe use of a rack system.
- ▶ Take into account the weight of the ready-to-use pedelec when transporting it.
- ▶ Protect the electrical components and connections on the pedelec from the weather conditions with suitable protective covers.
- ▶ Transport the battery in a dry, clean position where it is protected from direct sunlight.

### 4.3.3 Shipping a pedelec

- ▶ When shipping the pedelec, we recommend that you have the specialist dealer place it in proper packaging.

### 4.3.4 Transporting the battery

*Batteries* are subject to hazardous goods regulations. Undamaged batteries may be transported by private persons in road traffic.

Commercial transport operators must comply with regulations on packaging, labelling and the transportation of hazardous goods. Open contacts must be covered and the battery securely packaged.



### 4.3.5 Shipping the battery

The battery is considered a hazardous good and only trained persons may pack and ship a battery. Contact specialist dealer.

- ▶ If you have a valid hazardous good certificate, pack and ship the battery as per current hazardous goods regulations.



## 4.4 Storing

- ▶ Always store pedelec, battery, on-board computer, display and charger separately.

Storage temperature	+10... +40 °C
Humidity	30%...85%
Ideal storage temperature	+10... +20 °C
Optimum air humidity	30%...60%

**Table 32: Ambient conditions for storage**

- ▶ Temperatures under -5 °C or over +40 °C and air humidity over 85% must generally be avoided.
- ▶ Store pedelec, on-board computer, battery and charger in a
  - ▶ dry,
  - ▶ clean,
  - ▶ well-ventilated place protected from direct sunlight.
  - ▶ Never store in the open air.

### 4.4.1 Pedelec

Store pedelec in a garage or a dry basement.

### 4.4.2 On-board computer, display and charger

Store on-board computer, display and charger in a dry environment at room temperature.

### 4.4.3 Rechargeable battery

- ▶ Storage at about 10 °C to 20 °C is beneficial to a long battery life.
- ▶ Store batteries in rooms with smoke detectors. A protection box with an electrical connection is an optimal solution.



**Figure 55: Protection box**

- ▶ Never store batteries near to inflammable or easily combustible objects.
- ▶ Never store batteries near sources of heat.





### New battery

- ✓ Inspect battery for damage after delivery.
- ⇒ If the batteries are damaged, observe Section 2.1 Handling a damaged or faulty battery during storage and disposal.
- ✓ It is best to store damage-free batteries separately for 24 hours and keep them under observation.
- 4 If no faults arise, store batteries in a separate room with fire doors and smoke detectors. If the battery is stored in its original packaging, stack a maximum of five batteries on top of one another.

### Battery in use

- 1 Immediately remove batteries from customer pedelec before maintenance or repair.

#### **Treat unchecked batteries as faulty batteries.**

When storing batteries, treat them in the same way as a damaged or faulty battery until they are inspected.

- 2 Inspect battery.
- 3 Battery are stored as agreed with the insurance company.

### Defective battery

- ▶ If batteries are faulty, observe Section 2.1 Handling a damaged or faulty battery during storage and disposal.

## 4.4.4 Break in operation

### Notice

The battery discharges when not in use. This can cause irreparable damage to the battery.

- ▶ The battery must be recharged every 6 months.

The battery may become damaged if it is connected permanently to the charger.

- ▶ Never connect the battery to the charger permanently.

If the battery is stored for a longer period of time when empty, it can become damaged despite low self-discharge and power storage capacity can be greatly reduced.

- ▶ Store battery with at least 30% charge.
- ▶ To avoid an extremely low charge level in the integrated battery in the LED remote and the system controller, charge components every 3 months for around 1 hour via the USB diagnostic interface.

- ▶ Remove the on-board computer and battery from their mount if the pedelec is not going to be used for up to four weeks.
- ▶ If the pedelec is removed from service for longer than four weeks, you need to prepare it for a break in operation.

#### 4.4.4.1 Preparing a break in operation

- ✓ Remove the rechargeable battery from the pedelec.
- ✓ Charge battery between 30% and 60% so that 2 or 3 LEDs light up on the battery level indicator.
- ✓ The pedelec needs to be cleaned with a damp cloth and preserved with wax spray. Never wax the friction surfaces of the brake.
- ✓ Before longer periods without use, it is recommended to have the specialist dealer carry out maintenance and basic cleaning and apply preservative agent.

#### 4.4.4.2 Carrying out a break in operation

- 1 Store the pedelec, battery and charger in a dry, clean environment. We recommend storing them in uninhabited rooms with smoke alarms. Dry locations with an ambient temperature between 10 °C and 20 °C are ideal.
- 2 Check the battery level after 6 months. If only one LED on the battery level indicator lights up, recharge the battery to between 30% and 60%.



## 5 Assembly

### WARNING

#### Risk of eye injury

Problems may arise if components are set incorrectly. They may cause serious injuries to the face.

- ▶ Always wear safety glasses to protect eyes when assembling pedelecs.

### CAUTION

#### Crash and crushing hazard caused by unintentional activation

There is a risk of injury if the electric drive system is activated unintentionally.

- ▶ Remove the battery.

- ✓ Assemble the pedelec in a clean, dry environment.
- ✓ The work environment temperature should be between 15 °C and 25 °C.
- ✓ The fitting stand used must be approved for a maximum weight of least 30 kg.

### 5.1 Unpacking

The packaging material consists mainly of cardboard and plastic film.

- ▶ Dispose of the packaging in accordance with the regulatory requirements (see Section 10).
- ⇒ Pedelecs are fully assembled in the factory for test purposes and then dismantled for transportation. The pedelec is 95% to 98% pre-assembled.

### Scope of delivery

<input type="checkbox"/>	1 × pre-assembled pedelec
<input type="checkbox"/>	1 × front wheel
<input type="checkbox"/>	2 × pedals
<input type="checkbox"/>	2 × quick releases (optional)
<input type="checkbox"/>	1 × charger
<input type="checkbox"/>	1 × set of operating instructions on CD
<input type="checkbox"/>	1 × battery (supplied separately from the pedelec)

### 5.2 Required tools

The following tools are required to assemble the pedelec:

	Knife
	Ring spanners 8 mm, 9 mm, 10 mm, 13 mm, 14 mm and 15 mm
	Torque wrench Working range 5... 40 Nm
	<b>by.schulz handlebars:</b> TORX® bits: T50, T55, and T60
	Hex key 2 mm, 2.5 mm, 3 mm, 4 mm, 5 mm, 6 mm and 8 mm
	Cross-recess screwdriver
	Slotted-head screwdriver

Table 33: Tools required for assembly



## 5.3 Commissioning

Only trained specialist staff may perform initial commissioning since initial commissioning of the pedelec requires special tools and specialist knowledge.

Experience has shown that a pedelec which has not yet been sold is automatically handed to customers as soon as it appears ready to ride.

It makes sense to prepare each pedelec so that it is fully ready for use immediately after being assembled.

- ▶ Complete an assembly report to document quality assurance (see Section 11.1).
- ▶ Carry out all possible assembly work specified on the assembly report.
- ▶ Record all actions completed on the assembly report.

### 5.3.1 Checking the battery

The battery must be checked before it is charged for the first time.

- ▶ Press the **On-Off button (battery)**.
- ⇒ If none of the LEDs on the **battery level indicator** light up, the battery may be damaged.
- ⇒ The battery may be fully charged if at least one, but not all, of the LEDs on the **battery level indicator** lights up.



### 5.3.2 Preparing the wheel

There is an arrow on the sides of the tyres with the inscription ROTATION to show the direction of rotation. The inscription says DRIVE on older tyres. The rotation direction arrow indicates the recommended direction of rotation. On road tyres, the direction of rotation is mainly for optical reasons.



Figure 56: Rotation direction arrow

The direction of rotation is much more important on off-road terrain because the tread creates an interlock with the ground. While the rear wheel needs to transmit the drive forces, the front wheel is responsible for transmitting braking and steering forces. Drive and braking forces have different directions of action. This is why some tyres are mounted on the front and rear wheels in opposite directions. On these tyres, there are two rotation direction arrows:

- The FRONT rotation direction arrow indicates the recommended direction of rotation for the front wheel.
- The REAR rotation direction arrow indicates the recommended direction of rotation for the rear wheel.



Figure 57: Rotation direction arrow on MTB tyres

- ▶ The rotation direction arrow must point in the direction of travel when the wheel is placed in the fork.
- ▶ There are also non-directional tyre profiles with no rotation direction arrow.



### 5.3.3 Installing the wheel in the SUNTOUR fork

Only applies to Suntour forks with this equipment

#### 5.3.3.1 Screw-on axle (12AH2 and 15AH2)

Only applies to Suntour forks with this equipment

✓ Before installing the wheel, ensure that the O-ring is in the right position on the thread piece.

- 1 Insert the front wheel into the fork ends.
- 2 Insert the axle into the hub on the drive side.

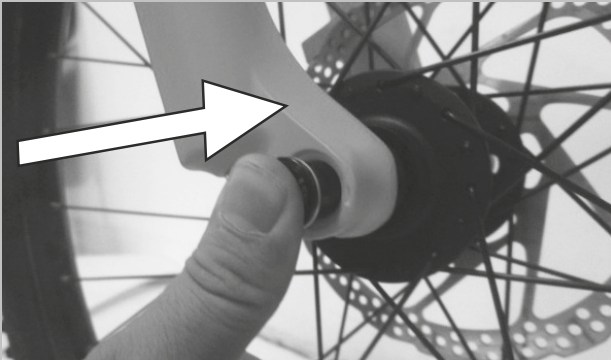


Figure 58: Inserting the axle in the direction of the arrow

- 3 Use a 6 mm hex key to tighten the axle using between 8 and 10 Nm. The axle thread must be visible.

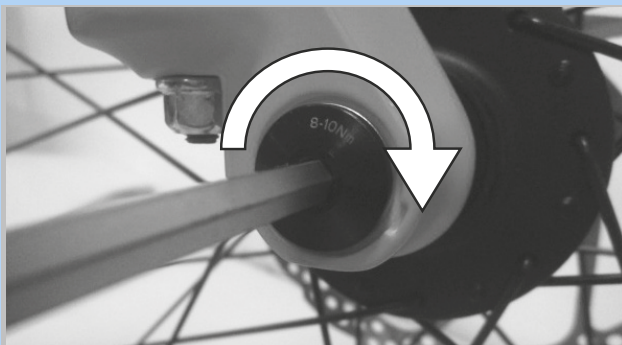


Figure 59: Tighten the axle in the direction of the arrow

- 4 Insert the securing screw on the non-drive side.



Figure 60: Inserting the securing screw

- 5 Tighten the securing screw with a 5 mm hex key using between 5 and 6 Nm.

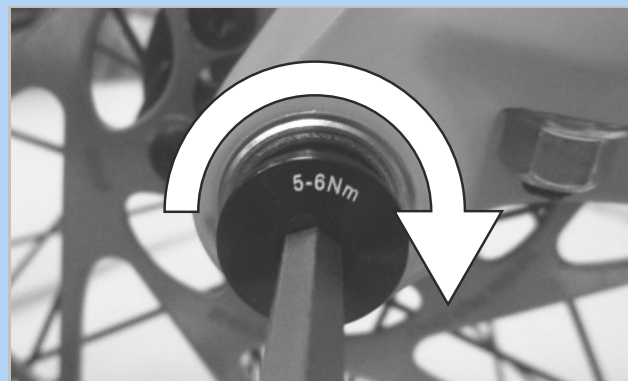


Figure 61: Tightening the securing screw

⇒ The wheel is now fitted.





### 5.3.3.2 20 mm cross axle

Only applies to Suntour forks with this equipment

#### CAUTION

##### Crash caused by loose cross axle

A faulty or incorrectly installed cross axle may become caught in the brake disc and block the wheel. This will cause a crash.

- ▶ Never fit a defective cross axle.

##### Crash caused by faulty or incorrectly installed cross axle

The brake disc becomes very hot during operation. Parts of the cross axle may become damaged as a result. The cross axle becomes loose. This will cause a crash with injuries.

- ▶ The cross axle and the brake disc must be opposite one another.

##### Crash caused by incorrectly set cross axle

Insufficient clamping force will result in unfavourable transmission of force. The suspension fork or the quick release axle may break. This will cause a crash with injuries.

- ▶ Never fasten the cross axle with a tool (e.g. hammer or pliers).

- 1 Insert the cross axle into the hub on the drive side.

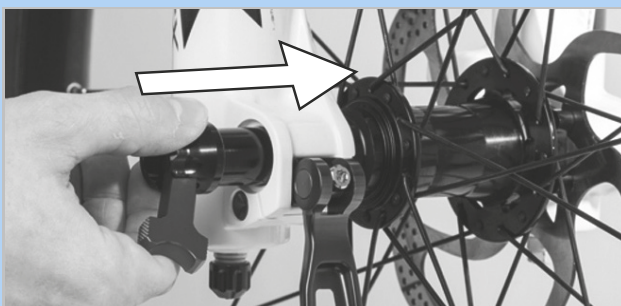


Figure 62: Inserting the cross axle in the direction of the arrow

- 2 Tighten the cross axle with the red handle.

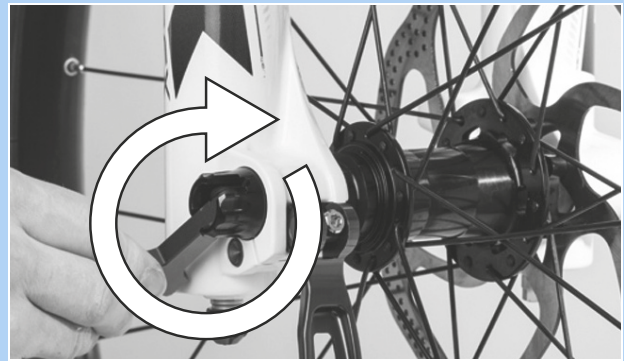


Figure 63: Tighten the axle in the direction of the arrow

- 3 Push red lever into the cross axle.

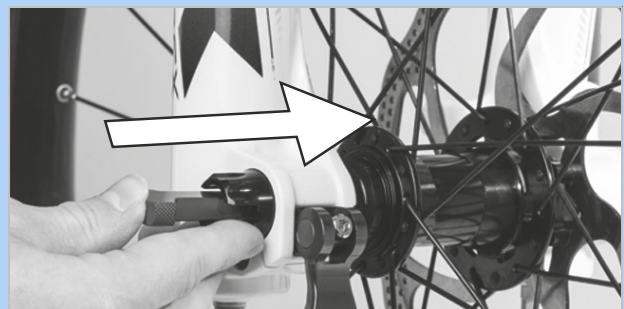


Figure 64: Pushing the red lever in the direction of the arrow

- 4 Closing the quick release lever.



Figure 65: Pressing the quick release lever in the direction of the arrow

⇒ The cross axle is secured.



- 5 Check the position and clamping force of the quick release lever. The quick release lever must be flush with the shock absorber.



Figure 66: Perfect position for the clamping lever

- 6 Use 4 mm hexagon socket spanner to adjust the clamping lever clamping force if required.

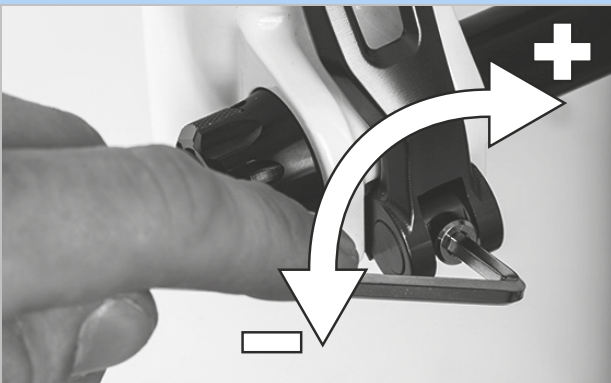


Figure 67: Adjusting the quick release clamping force

- 7 Check the quick release lever position and clamping force.

⇒ The wheel is now fitted.





### 5.3.3.3 Q-LOC quick release

Only applies to Suntour forks with this equipment

#### **CAUTION**

##### Crash caused by unfastened quick release

A faulty or incorrectly installed quick release may become caught in the brake disc and block the wheel. This will cause a crash.

- ▶ Never fit a defective quick release.

##### Crash caused by faulty or incorrectly installed quick release

The brake disc becomes very hot during operation. Parts of the quick release may become damaged as a result. The quick release comes loose. This will cause a crash with injuries.

- ▶ The front wheel quick release lever and the brake disc must be situated on opposite sides.

##### Crash caused by incorrectly set clamping force

Excessively high clamping force will damage the quick release and cause it to lose its function. Insufficient clamping force will result in unfavourable transmission of force. The suspension fork or the quick release may break. This will cause a crash with injuries.

- ▶ Never fasten a quick release using a tool (e.g. hammer or pliers).
- ▶ Only use the clamping lever with the specified set clamping force.

- ✓ Before installing, ensure that the quick release flange is extended. Open the lever fully.

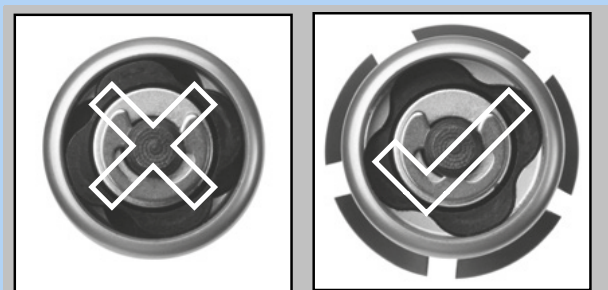


Figure 68: Closed and opened flange

- 1 Push in the quick release until you can hear a click. Make sure that the flange is extended.



Figure 69: Inserting the quick release in the direction of the arrow

- 2 Adjust tensioning with half-open clamping lever until the flange reaches the fork end.

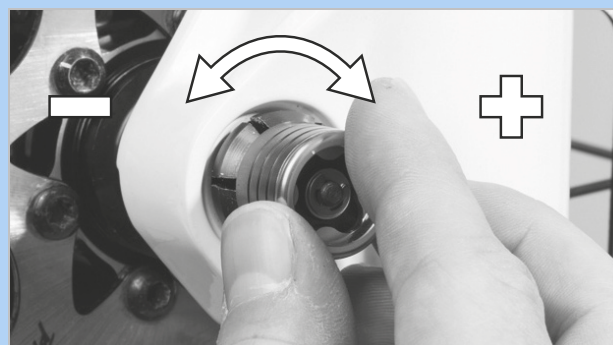


Figure 70: Adjusting the clamping

- 3 Fully close the quick release. Check that it is firmly in place and adjust it on the flange if necessary.



Figure 71: Closing the quick release

- ⇒ The wheel is now fitted.



### 5.3.4 Fitting the pedals

The pedals have two different threads to ensure they don't come loose while the rider is pedalling.

- The pedal on the left facing the direction of travel has a left-hand thread and is marked L.
- The pedal on the right facing the direction of travel has a right-hand thread and is marked R.

The mark is either on the top end, the axle or the pedal body.

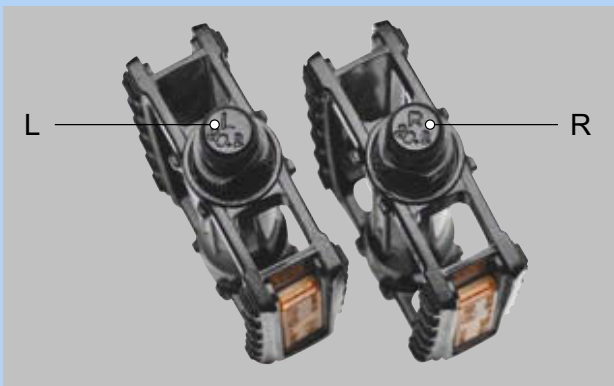


Figure 72: Example of mark on pedals

- 1 Coat threads in both pedals with waterproof grease.
- 2 Turn the pedal marked L anti-clockwise by hand into the crank arm on the left as seen when facing the direction of travel.



Figure 73: L-pedal in the left-hand crank arm

- 3 Turn the pedal marked R anti-clockwise by hand into the crank arm on the right as seen when facing the direction of travel.



Figure 74: R-pedal in the right-hand crank arm

- 4 Use a 15 mm spanner to fasten the left-hand pedal thread in an anti-clockwise direction and the right-hand pedal in a clockwise direction with a torque between 33 Nm and 35 Nm.



### 5.3.5 Adjusting the LIMOTEC seat post

Only applies to pedelecs with this equipment

- ✓ The rider's body weight exceeds or falls below the seat post's functional weight.
- 1 Order new Limotec seat post with suitable functional weight.
- 2 Remove existing seat post.

#### Replacing Limotec A1 and A5

- 3 Use the seat height formula to calculate the optimum seat post height for leg length:  
Seat height ( $SH$ ) = inner leg length ( $I$ )  $\times$  0.9
- 4 Lower the seat post further into the seat tube.
- 5 Tighten the seat post Bowden cable in the frame up to the remote control to the same length as the seat post was lowered.
- 6 Trim the seat post Bowden cable on the handlebars if necessary.



## 5.3.6 Checking the stem and handlebars

### 5.3.6.1 Checking the connections

- 1 Stand in front of the pedelec. Clamp the front wheel between your legs. Grasp the handlebar grips.
- 2 Try to twist the handlebars against the direction of the front wheel.
  - ⇒ The stem must not move or twist.
- 3 If the stem can be twisted, check fastening.
  - ⇒ If the stem cannot be fastened, contact your specialist dealer.

### 5.3.6.2 Checking stem is firmly in position

- 1 Press full body weight on the handlebars.
  - ⇒ The handlebars must not move downwards in the fork.

#### Stem with clamping lever version I

- 2 If the handlebars should move, increase the lever tension in the clamping lever.
- 3 Turn knurled nut in a clockwise direction with the clamping lever open.
- 4 Close clamping lever and check stem is firmly in position again.
- 5 If the handlebars cannot be fastened, contact your specialist dealer.

#### Stem with clamping lever version II and stem with screw

- ▶ If the handlebars cannot be fastened, contact your specialist dealer.

### 5.3.6.3 Checking the bearing clearance

- 1 Place the fingers of one hand on the upper headset cup. Pull the front wheel brake with the other hand and try to push the pedelec backwards and forwards.
  - Keep in mind that there may be noticeable backlash due to worn-out bearing bushes or brake lining backlash in suspension forks and disc brakes.
  - ⇒ The headset cup halves must not move towards one another.
- 2 Adjust bearing clearance as per the stem repair manual as quickly as possible; otherwise, the bearing will become damaged. Contact specialist dealer.

## 5.4 Selling the pedelec

- ▶ Complete pedelec pass on the operating instructions envelope.
- ▶ Note down the manufacturer and the number of the battery key.
- ▶ Adjust the stand and shifter.
- ▶ [Adjusting the pedelec](#) (see Section 6.5).
- ▶ Briefly instruct pedelec rider on all the pedelec's functions (see Section 6.7 to Section 6.18.2).

## 6 Operation

### 6.1 Risks and hazards

#### WARNING

##### Injuries and death caused by blind spots

Other road users, trucks, cars and pedestrians often underestimate the speed of pedelecs. Likewise, other road users frequently do not see pedelecs. This may lead to an accident with serious injuries or even death.

- ▶ Wear a helmet. The helmet must have a reflective strip or a light in a clearly visible colour.
- ▶ Clothing should be retroreflective or as light as possible. Fluorescent materials are also suitable. High-visibility jackets and straps on your upper body ensure even greater safety.
- ▶ Always take a defensive approach to riding.
- ▶ Avoid the blind spots of vehicles turning off the road. Reduce speed as a precaution when other road users turn right.

##### Injuries and death caused by riding incorrectly

A pedelec is not a bicycle. Mistakes made while riding and underestimated speeds quickly lead to hazardous situations. This can cause an accident with serious or fatal injuries.

- ▶ Slowly get used to road traffic and speed before riding at speeds over 12 km/h, especially if you have not ridden a bike for some time.
- ▶ Increase the levels of assistance gradually.
- ▶ Practice braking hard on a regular basis.
- ▶ Take and complete a riding safety course.

#### WARNING

##### Injuries and death caused by distraction

A lack of concentration while riding increases the risk of an accident. This may cause a crash with serious injuries.

- ▶ Never allow yourself to be distracted by the on-board computer or your smartphone.
- ▶ Stop pedelec if you want to make inputs on the on-board computer other than change the level of assistance. Only enter data when stationary.

#### CAUTION

##### Crash caused by loose clothing

Laces, scarves and other loose items may become entangled in the spokes on the wheels and the chain drive. This may cause a crash with injuries.

- ▶ Wear sturdy footwear and close-fitting clothing.

##### Crash caused by difficult-to-spot damage

If the pedelec topples over or you have a fall or an accident, there may be difficult-to-spot damage to components such as the brake system, quick releases or frame. This may cause a crash with injuries.

- ▶ Take pedelec out of service. Contact specialist dealer.

##### Crash caused by soiling

Heavy soiling can impair pedelec functions, such as braking. This may cause a crash with injuries.

- ▶ Remove coarse soiling before riding.


**CAUTION**

### Crash caused by material fatigue

Intensive use can cause material fatigue. A component may suddenly fail in case of material fatigue. This may cause a crash with injuries.

- ▶ Remove the pedelec from service immediately if there are any signs of material fatigue. Have your specialist dealer inspect the component.
- ▶ Arrange the mandatory inspection appointments with your specialist dealer on a regular basis. During the major inspection, the specialist dealer will inspect the pedelec for any signs of material fatigue on the frame, fork, suspension element mountings (if there are any) and components made of composite materials.

Carbon becomes brittle when exposed to heat radiation such as heating. This can cause the carbon part to break and result in a crash with injuries.

- ▶ Never expose carbon components parts on the pedelec to strong sources of heat.

---

### Crash caused by poor road conditions

Loose objects, such as branches and twigs, may become caught in the wheels and cause a crash with injuries.

- ▶ Be aware of the road conditions.
- ▶ Ride slowly and brake in good time.

The *tyres* may slip on wet roads. In wet conditions you must also expect a longer braking distance. The braking sensation differs from the usual sensation. This can cause loss of control or a crash, which may result in injuries.

- ▶ Ride slowly and brake in good time when it is raining.
- 

## Notice

Heat or direct sunlight can cause the *tyre pressure* to increase above the permitted maximum pressure. This can destroy the *tyres*.

- ▶ Park pedelec in the shade.
  - ▶ On hot days, regularly check the *tyre pressure* and adjust it as necessary.
- 

When riding downhill, high speeds may be reached. The pedelec is only designed to exceed a speed of 25 km/h for short intervals. The *tyres* in particular can fail if exposed to a continuous load.

- ▶ Use the brakes to decelerate the pedelec if you reach speeds greater than 25 km/h.
- 

Moisture penetrating at low temperatures may impair individual functions due to the open structural design.

- ▶ Always keep the pedelec dry and free from frost.
  - ▶ If the pedelec is used at temperatures below 3 °C, the specialist dealer must perform a major inspection beforehand and prepare it for winter use.
- 

Off-road riding subjects the joints in the arms to severe strain.

- ▶ Take a break from riding every 30 to 90 minutes, depending on the road surface conditions and your physical fitness.
-

## 6.2 Tips for a greater range

The pedelec's range depends on many influencing factors. A single battery charge may only last fewer than 20 kilometres but much more than 100 is also possible. Test the pedelec's range before embarking on longer rides. There are a few tips which will generally help you maximize range.

### Suspension elements

- ▶ Only open suspension fork and damper when necessary on terrain or gravel paths. Block suspension fork and damper on tarmacked roads or on hills.

### Mileage

The more own physical effort the rider makes, the greater the attainable range is.

- ▶ Shift down 1 to 2 gears to increase the induced power and pedalling frequency.

### Pedalling frequency

- ▶ Ride using pedalling frequencies of over 50 revolutions per minute. This optimises the electric drive's efficiency.
- ▶ Avoid pedalling very slowly.

### Weight

- ▶ Minimise the total weight of pedelec and baggage.

### Stopping and starting

- ▶ Ride long distances at a constant speed.
- ▶ Avoid stopping and starting frequently.

### Level of assistance

- ▶ The lower the selected level of assistance is, the greater the range is.

### Gear switching habits

- ▶ Use a low gear and a low level of assistance on hills and when setting off.
- ▶ Switch up a gear depending on the speed and terrain.
- ▶ 50-80 crank rotations per minute are optimal.
- ▶ Avoid high stress loads on the crank during a gear change.
- ▶ Switch gear back in good time, e.g. before inclines.

### Tyres

- ▶ Always select the right tyres for the surface type. As a general rule, narrower treads move along more easily than heavier ones. Long studs and large grooves usually have an unfavourable effect on energy consumption.
- ▶ When riding on asphalt, it is important to always use the maximum permitted tyre pressure.
- ▶ When riding off-road, on gravel tracks or soft woodland or meadow soils, it is important to remember: the lower the tyre pressure is, the greater the rolling resistance is and thus the greater electric drive system energy consumption is.

### Rechargeable battery

Electrical resistance increases as the temperature drops. Battery performance is reduced. As a result, you should expect the range to be shorter than normal in winter.

- ▶ Use a thermal protection sleeve on the battery in winter.

The range also depends on the battery's age, charge level and state of repair.

- ▶ Maintain the battery and replace older batteries where necessary.



## 6.3 Error message

### 6.3.1 On-board computer

The on-board computer indicates whether a critical or less critical error has arisen in the drive system.

The error messages generated by the drive system can be read in the eBikeFlow app or by the specialist dealer.

The rider can use a link in the eBike Flow app to display information on errors and assistance on eliminating errors.

#### 6.3.1.1 Critical errors

The indicator for the selected level of assistance and battery level indicator flash red to indicate critical errors.

Flash sequence	Meaning
	LED Remote is flashing red: Critical error

- ▶ Functions have failed. Contact your specialist dealer.
- ▶ Never connect a charger.

#### 6.3.1.2 Less critical errors

The indicator for the selected level of assistance will flash orange in the event of less critical errors.

Flash sequence	Meaning
	LED Remote is flashing orange: Less critical error

- ▶ Press selection button.

⇒ The error is acknowledged and the indicator for the selected level of assistance displays the colour for the configured level of assistance permanently.

You can eliminate errors yourself using the following table when necessary. Contact your specialist dealer if the problem persists.

Code	Description	Method of resolution
0x523005 0x514001 0x514002 0x514003 0x514006	The sensors do not detect the magnetic field properly.	<ul style="list-style-type: none"> <li>▶ Check that the magnet wasn't lost while riding.</li> <li>▶ If a magnet sensor is used, check that the sensor and magnet have been fitted properly. In doing so, ensure that the cable to the sensor is not damaged.</li> <li>▶ If a rim magnet is used, ensure that there are no magnetic field interference near the drive unit.</li> </ul>

Table 34: List of on-board computer error messages

### 6.3.2 Rechargeable battery

The battery is protected against deep discharge, overcharging, overheating and short circuits by Electronic Cell Protection (ECP). In the event of a hazard, a protective circuit switches the battery off automatically. If a fault is detected on the battery, the LEDs will flash on the battery level indicator.




Description	Method of resolution
Code: 	<ol style="list-style-type: none"> <li>1 Disconnect charger from battery.</li> <li>2 Leave battery to cool down or warm up.</li> <li>3 Contact your specialist dealer if the problem persists.</li> </ol>
If the battery is outside its charging temperature range, three LEDs will flash on the battery level indicator.	
Code: 	

Table 35: List of battery error messages



Description	Method of resolution
<p>If a battery fault is detected, two LEDs will flash on the battery level indicator.</p>	<p>► Contact specialist dealer.</p>
<p>Code: </p>	
<p>No LEDs will light up if there is no power.</p>	<ol style="list-style-type: none"> <li><b>1</b> Check all plug connections.</li> <li><b>2</b> Check contacts on the battery for dirt. Clean the contacts carefully if needed.</li> <li><b>3</b> Contact your specialist dealer if the problem persists.</li> </ol>

**Table 35: List of battery error messages**

## 6.4 Instruction and customer service

The supplying specialist dealer will provide customer service. Contact details can be found on the pedelec pass for these operating instructions. The specialist dealer will explain all the pedelec functions to the new owner in person, this being when the specialist dealer hands over the pedelec at the latest. These operating instructions are provided with every pedelec, so that the rider can consult them at a later stage.

The supplying specialist dealer will also perform all inspection, modifications and repairs in the future.

## 6.5 Adjusting the pedelec



### Crash caused by incorrectly adjusted torque

If a screw is fastened too tightly, it may break. If a screw is not fastened enough, it may loosen. This will cause a crash with injuries.

- Always observe the torque indicated on the screw and in the operating instructions.

Only a correctly adjusted pedelec will guarantee the desired ride comfort and health-promoting activity.

All settings must be re-configured if the body weight or maximum baggage weight changes.

### 6.5.1 Preparing

The following tools are required to adjust the pedelec:

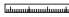







	Tape measure
	Scales
	Spirit level
	Ring spanners 8 mm, 9 mm, 10 mm, 13 mm, 14 mm und 15 mm
	Torque wrench Working range 5... 40 Nm
	Hex key 2 mm, 2.5 mm, 3 mm, 4 mm, 5 mm, 6 mm and 8 mm
	Cross-recess screwdriver
	Slotted-head screwdriver

Table 36: Tools required for assembly

## 6.5.2 Pedelec adjustment procedure

► Observe the correct order for adjustment.

Sequence	Adjustment	Section	For pedelecs with components only				
			Rhomboid seat post	Ergonomic handles	Suspension fork	Rear frame damper	Headlight
1.1 1.2 1.3 1.4	Saddle <ul style="list-style-type: none"> <li>• Straighten saddle</li> <li>• Adjust saddle height</li> <li>• Adjust saddle position</li> <li>• Adjust saddle tilt</li> </ul>	<a href="#">6.5.4.1</a> <a href="#">6.5.3.3</a> <a href="#">6.5.3.5</a> <a href="#">6.5.3.6</a>					
2	Handlebars	<a href="#">6.5.4</a>					
3	Stem	<a href="#">6.5.5</a>					
4	Handles	<a href="#">6.5.6</a>		x			
5	Tyres	<a href="#">6.5.9</a>					
6.1 6.2 6.3 6.4 6.5	Brake <ul style="list-style-type: none"> <li>• Position of the brake handles</li> <li>• Brake handle tilt angle</li> <li>• Determine grip distance</li> <li>• Adjust the grip distance</li> <li>• Pressure point</li> <li>• Retract the brake linings</li> </ul>	<a href="#">6.5.8.1</a> <a href="#">6.5.8.2</a> <a href="#">6.5.8.3</a> <a href="#">6.5.9.4</a> <a href="#">6.5.8.5</a> <a href="#">6.5.8.5</a>					
7	Adjust suspension - Adjust the suspension fork sag	<a href="#">6.5.11</a>			x		
	- Adjust the rear frame damper sag (optional)	<a href="#">6.5.12</a>				x	
	- Adjust suspension fork rebound damper	<a href="#">6.5.14</a>			x		
	- Adjust the rear frame damper rebound damper (optional)	<a href="#">6.5.14</a>				x	
	- Adjust the rear frame damper compression damper (optional)	<a href="#">6.5.15</a>				x	
8	Light	<a href="#">6.5.16</a>					x
9	Adjust on-board computer	<a href="#">6.5.15</a>					

**Table 37: Pedelec adjustment procedure**

### 6.5.3 Riding position

The starting point for a comfortable posture is the correct position of the pelvis. If the pelvis is in the wrong position, it can cause different types of pain, e.g. in the shoulder or back.

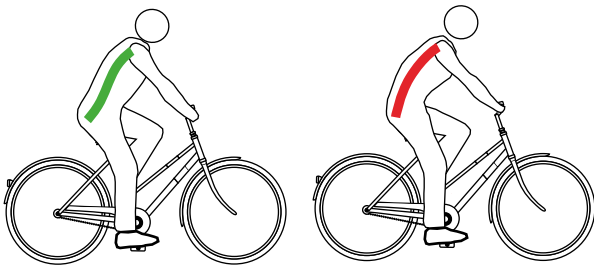


Figure 75: The pelvis is in the right position (green) or incorrect position (red)

The pelvis is in the right position if the spine forms an S-shape and a natural, easy arch.

The pelvis is positioned incorrectly if it tilts slightly backwards. As a result, the spine becomes curved and can no longer deflect to an optimal extent.

A suitable riding position must be selected beforehand depending on the pedelec type, physical fitness and desired trip distance or speed.

It is especially advisable to check and optimise the riding position once more before longer rides.

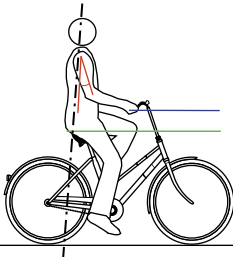
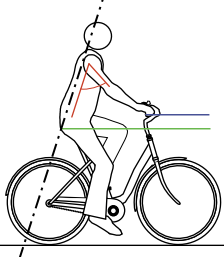
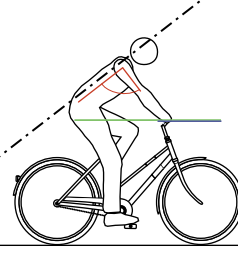
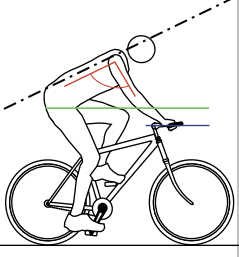
	Position on roadster	Position on city bike	Position on trekking bike	Position on sports bike
				
<b>Angle of upper body (black dashed line)</b>	Upright, almost vertical posture, back at an angle of almost 90°. Handlebars and handles are very close to the upper body.	Slightly inclined upper body, back at an angle of 60°...70°.	Sharply inclined upper body, back at an angle of 30°...60°. Greater distance between handlebars and saddle.	Greatly inclined upper body, back at an angle of 15°...30°. Saddle higher than the handlebars.
<b>Upper arm-upper body angle (red line)</b>	Extremely acute angle at around 20°. The upper arms are almost parallel to the upper body. The hands are simply placed loosely on the handlebars	An angle of 75°–80° is optimum. Many people prefer a smaller angle of up to 60° as it requires less effort to support the shoulders, arms and hands.	An angle of 90° is optimum. The muscular support required in the arms, back and shoulder girdle is reduced at 90°.	Above 90° Shoulders, arms and hands need to provide a great deal of support, the supporting muscles in the back are heavily strained and the load on the bearing surface shifts to the front.
<b>Saddle-handlebar height difference [cm] (blue and green line)</b>	>10 The handlebars are positioned far higher than the saddle.	10... 5 The handlebars are positioned higher than the saddle.	5... 0 Handlebars and saddle are almost at the same height.	< 0 The saddle is positioned far higher than the handlebars.
<b>Benefits</b>	The spine is intuitively moved into its natural S-shape. The strain on arms and hands is very slight – no effort required to support.	The upright position provides a good overview in traffic. Force can be applied to the pedals when pedalling without using much energy.	Shoulders, neck and hands provide more of the support effort, thus promoting a dynamic, agile riding style. Impact is reduced on the back, spine and buttocks, which is particularly important on longer rides. The whole body can apply force to the pedals effectively.	Optimum power transmission. Aerodynamic: low air resistance.
<b>Disadvantages</b>	Force is applied relatively inefficiently to the pedals. Weight rests exclusively on the buttocks. The spine slumps after a short time for many people (pelvic straightening).	The arms are often stretched through to the high handlebars – this leads to tense shoulders and painful hands. The spine tends to slump quickly due to the “high position”.	There is greater strain on the hands, neck and shoulders. The muscular system needs to be trained for this higher strain, i.e. riders should practise.	Requires highly trained muscles in back, legs, shoulders, abdomen! Comfortable riding position only for people who are fit.
<b>Fitness level and use</b>	Low fitness level, occasional cyclists	Medium fitness level, city cyclists	Medium to high fitness level, riding long distances	Speed-oriented, sports pedelec riding
<b>Suitable pedelec types</b>	City bike Folding bike	City bike Cargo bike	Trekking bike	Mountain bike Racing bicycle

Table 38: Overview of riding positions

### 6.5.3.1 Straighten saddle

- Position saddle in direction of travel. In doing so, align the tip of the saddle with the top tube.



Figure 76: Positioning the saddle in direction of travel

### 6.5.3.2 Positioning the saddle with eightpins suspension seat post

**Only applies to pedelecs with this equipment**

- 1 Position saddle in direction of travel. In doing so, align the tip of the saddle with the top tube.
- 2 Use a torque wrench to tighten the seat post axle with 8 Nm.



Figure 77: Tightening the seat post axle

### 6.5.3.3 Adjusting the saddle height

- ✓ To adjust the saddle height safely, either:
  - Push the pedelec near to a wall so that the pedelec rider can lean on the wall to support themselves or
  - Ask another person to hold the pedelec.
- 1 Use the seat height formula to roughly set the saddle height:  

$$\text{Seat height (SH)} = \text{inner leg length (I)} \times 0.9$$
- 2 Climb onto the bicycle.
- 3 Place your heel on the pedal and extend your leg, so that the pedal is at the lowest crank rotation point. Your knee should now be fully extended.

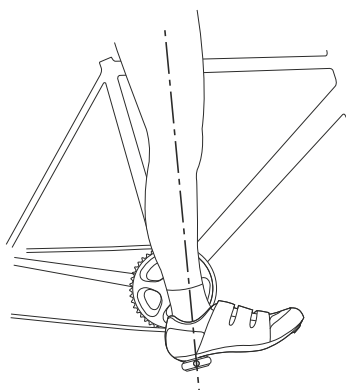


Figure 78: Heel method

- 4 Take a test ride.
  - ⇒ Pedelec riders sit straight on the saddle at an optimal saddle height.
  - If the pelvis moves to the left and right as you pedal, the saddle is too high.
  - If your knees are painful after a few kilometres, the saddle is too low.
- ⇒ Position the seat post according to needs if necessary. Adjust the seat height with the quick release.

- 5 Open the quick release on the seat post to change the seat height (1). To do so, push the clamping lever away from the seat post (3).

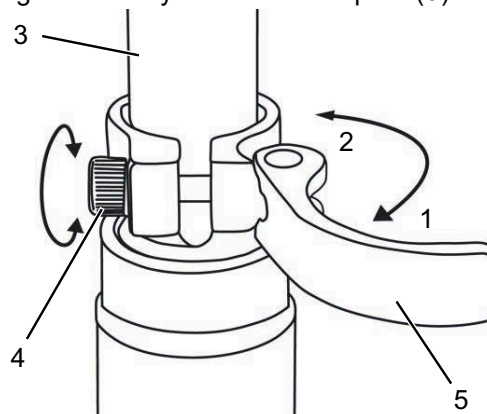


Figure 79: Opening the seat post quick release

- 6 Set the seat post to the required height.

### ⚠ CAUTION

#### Crash caused by an excessively high seat post setting

A *seat post* which is set too high will cause the *seat post* or the *frame* to break. This will cause a crash with injuries.

- ▶ Do not pull the seat post out of the frame beyond the minimum insertion depth marking.



Figure 80: Detailed view of the seat post – examples of the minimum insertion depth marking

- 7 To close it, push the *seat post clamping lever* as far as it will go into the *seat post* (2).
- 8 Check the *clamping force* of the quick releases.

### 6.5.3.4 Setting the saddle height with the remote control

Use the seat height formula to set the saddle height:

$$\text{Seat height (SH)} = \text{inner leg length (l)} \times 0.9$$

#### Notice

If you are unable to achieve the required saddle height, the seat post must be lowered further into the seat tube. The seat post Bowden cable must be tightened in the frame up to the remote control to the same length as the seat post was lowered. If this is not possible, contact your specialist dealer.

#### Lowering the saddle

- 1 Sit on the saddle.
- 2 Press the remote control operating lever.  
⇒ The seat post will lower.
- 3 Release the remote control operating lever when you have reached the desired height.

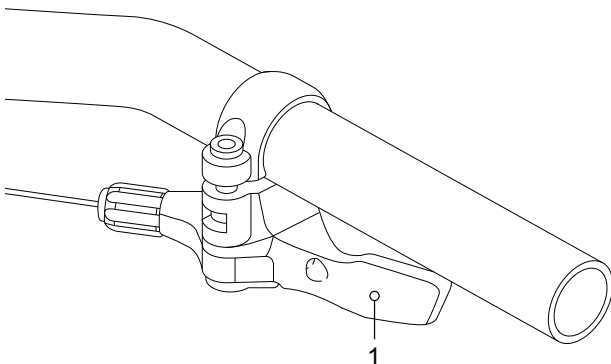


Figure 81: Remote control operating lever (1)

#### Raising the saddle

- 1 Remove any pressure from the saddle.
- 2 Press the remote control operating lever.  
⇒ The seat post will rise.
- 3 Release the remote control operating lever when you have reached the desired height.



### 6.5.3.5 Adjusting the saddle position

The saddle can be shifted on the saddle frame. The right horizontal position ensures an optimal leverage position for legs. This prevents knee pain and painful incorrect pelvis positions. If you have displaced the saddle more than 10 mm, you need to adjust the saddle height again since both settings affect one another.

- ✓ The saddle setting must only be made when the bicycle is stationary.
- ✓ To adjust the saddle position either:
  - Push the pedelec near to a wall so that the pedelec rider can lean on the wall to support themselves or
  - Ask another person to hold the pedelec.
- ✓ Move the saddle within its permitted displacement range only (marked on the saddle stay).

1 Climb onto the pedelec.

2 Place the pedals into the vertical position with your feet.

⇒ Pedelec riders are adopting the optimal saddle position if the perpendicular line from the kneecap runs through the pedal axle.

- ▶ If the perpendicular line crosses behind the pedal, bring the saddle further forward.
- ▶ If the perpendicular line crosses in front of the pedal, bring the saddle further back.

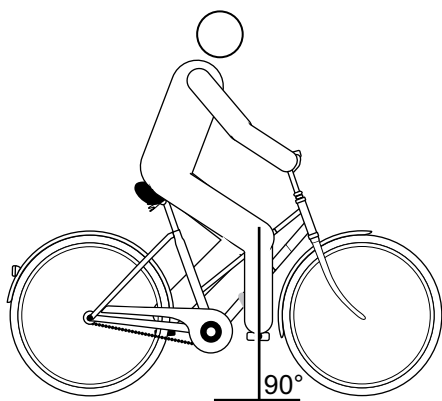


Figure 82: Knee cap perpendicular line

3 Unfasten and adjust the designated screw connections, and clamp them with the maximum tightening torque for the saddle clamping screws.

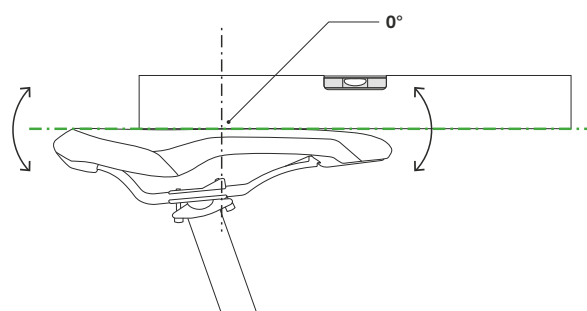
### 6.5.3.6 Adjusting the saddle tilt

The saddle tilt must be adjusted to the seat height, the saddle and handlebar position, and the saddle shape to ensure an optimum fit. The seating position can be optimised in this way if needed.

The saddle prevents pedelec riders from slipping backwards or forwards when placed in a horizontal position. This prevents seat problems. In any other position, the tip of the saddle may press uncomfortably into the crotch area. It is also recommended that the centre of the saddle is exactly straight. This ensures that the rider is seated with their sit bones on the wide rear part of the saddle.

1 Adjust the saddle tilt to horizontal.

2 Position saddle middle so that it is completely



straight.

Figure 83: Horizontal saddle tilt with 0° tilt in the centre of the saddle

⇒ Pedelec riders sit comfortably on the saddle and do not slip backwards or forwards.

3 Pedelec riders tend to slip forwards on the narrow part of the saddle, adjust the riding position (see Section 6.6.2.3) or tilt the saddle very slightly backwards.

### 6.5.3.7 Checking saddle stability

▶ Check saddle stability after adjusting it (see Section 7.5.7).

## 6.5.4 Handlebars

### 6.5.4.1 Replace handlebars

#### Not included in price



Handlebars are components that may be replaced after approval by the vehicle or parts manufacturer. Handlebars may be replaced if the cable and/or line lengths do not need to be changed. A change in riding position is allowed within the original cable length. Furthermore, the load distribution on the pedelec changes considerably and may potentially lead to critical steering performance

- ▶ Check handlebar width and hand position.
- ▶ Have handlebars replaced at the specialist dealer's if necessary.

### 6.5.4.2 Adjusting the handlebar width

The handlebar width should be as wide as the rider's shoulders as a minimum. This is measured from mid-point to mid-point on the hand contact surfaces.

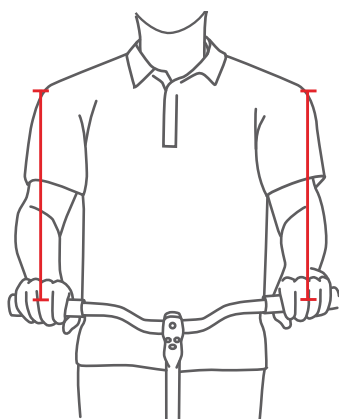


Figure 84: Determining the optimal handlebar width

The wider the handlebars are, the more control they provide, although wide handlebars require greater supporting force. Wider handlebars are particularly useful to ensure a safer ride for loaded touring bikes.

### 6.5.4.3 Adjusting the hand position

The hand is in an optimal position on the handlebars when the forearm and hand are in a straight line, i.e. the wrist is not bent. In this way, the nerves are not pinched and do not cause pain.

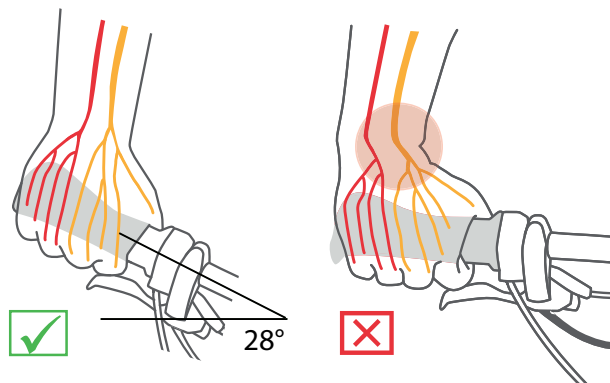


Figure 85: Distribution of nerves with curved and straight handlebars

The narrower the shoulders are, the greater the bend of the handlebars should be (maximum 28°).

Straight handlebars are advisable for sports bikes (e.g. MTB). They support direct steering behaviour, but lead to peaks in pressure and greater muscular strain on the arm and shoulder muscles.

#### 6.5.4.4 Adjusting the handlebars

The handlebars and their position determine the posture that the pedelec rider adopts on the pedelec.

- 1 After selecting the riding position (see Section 6.6.2.1), determine the angle of the upper body and upper arm.
- 2 Pre-tension the back muscles when adjusting the handlebars. The only way to stabilise the spine and protect it from excessive strain is with the back and abdominal muscles pre-tensioned. Passive muscles are not able to perform this important task.
- 3 Set the required handlebar position by adjusting the stem height and angle (see Section 6.6.6).
- 4 After adjusting the handlebars, check the saddle height and riding position again. The position of the pelvis on the saddle may have changed when the handlebars were adjusted. This can have considerable impact on the position of the hip joint due to the pelvis tilting and may change the usable leg length on the saddle support by up to 3 cm.
- 5 Correct the saddle height and riding position if necessary.

## 6.5.5 Stem

### 6.5.5.1 Replacing the handlebars

#### Not included in price



Handlebar-stem units are components that may be replaced after approval by the vehicle or parts manufacturer. A stem must be replaced if cable and/or line lengths do not need to be changed. A change in riding position is allowed within the original cable length. Furthermore, the load distribution on the pedelec changes considerably and may potentially lead to critical steering performance

### 6.5.5.2 Adjusting the handlebar height with quick release

#### Only applies to pedelecs with this equipment

- 1 Open the stem clamping lever.

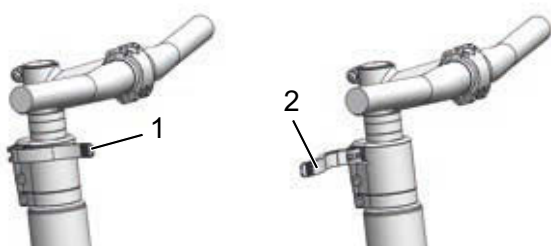


Figure 86: Open (2) and closed (1) stem clamping lever; All Up used as an example

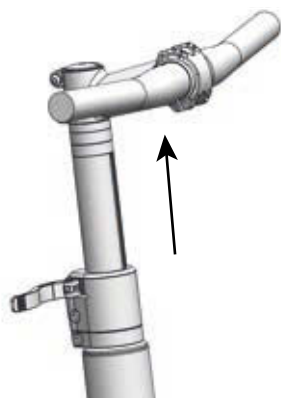


Figure 87: Pulling the locking lever upwards; All Up used as an example

- 2 Pull out the handlebars to the required height. Observe minimum insertion depth.
- 3 Close the stem clamping lever.

### 6.5.5.3 Checking the stem stability

- ▶ Hold handlebars firmly after adjusting the saddle. Press full body weight on the handlebars.
- ⇒ The handlebars remain stable in their position.

### 6.5.5.4 Adjusting the quick release clamping force



#### Crash caused by incorrectly set clamping force

Applying excessive clamping force damages the quick release. Insufficient clamping force will result in unfavourable transmission of force. This can cause components to break. This will cause a crash with injuries.

- ▶ Never fasten a quick release using a tool (e.g. hammer or pliers).

If the *handlebar clamping lever* stops before reaching its end position, unscrew the *knurled nut*.

- ▶ Tighten the *knurled nut* on the seat post if the *seat post clamping lever's* clamping force is not effective enough.
- ▶ Contact your specialist dealer if the clamping force cannot be set.

### 6.5.5.5 Setting the quill stem

Only applies to pedelecs with this equipment

In the case of a quill stem, the stem and fork steerer form a permanently interconnected component, which is clamped in the fork steerer. The stem and shaft must be replaced together.

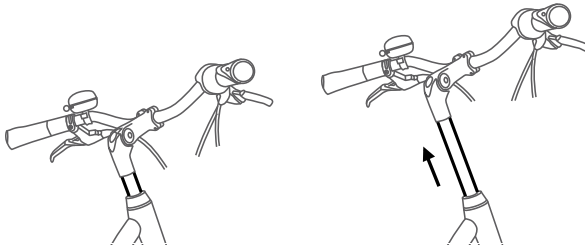


Figure 88: Adjusting the quill stem height

- 1 Undo screw.
- 2 Pull quill stem out.
- 3 Tighten screw.

### 6.5.5.6 Adjusting the Ahead stem

Only applies to pedelecs with this equipment

In the case of an Ahead stem, the stem is placed directly on the fork steerer, which protrudes over the frame.

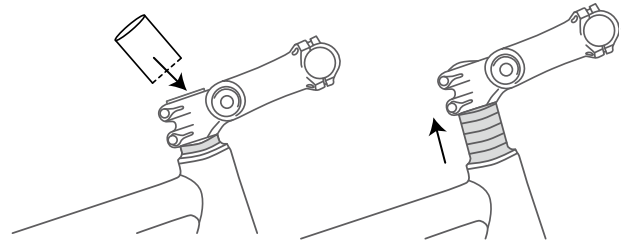


Figure 89: Raising the Ahead stem by fitting spacer rings

The handlebar height is adjusted once during production using spacer rings. The part of the fork steerer protruding is then cut off. The handlebar stem can then no longer be set higher, but only slightly lower.

### 6.5.5.7 Adjusting the angle-adjustable stem

#### Only applies to pedelecs with this equipment

Angle-adjustable stems are available in different lengths for quill and Ahead stems.

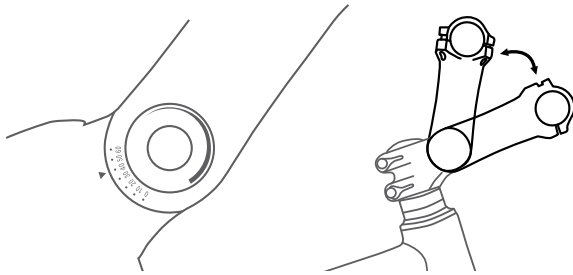


Figure 90: Different versions of angle-adjustable stems

Adjusting the stem angle (c) changes both the distance from the upper body to the handlebars (b) and the handlebar height (a).

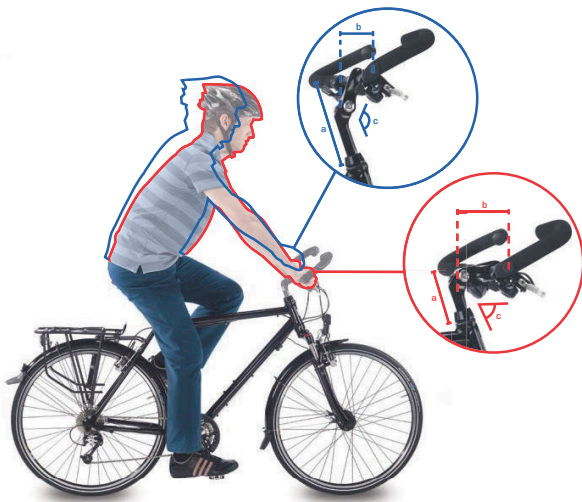


Figure 91: City bike (blue) and trekking bike position (red) by changing the angle

## 6.5.6 Handles

### 6.5.6.1 Replacing the handles

Not included in price



Handles with bolt clamps are components which may be replaced without approval.

If there is pain or numbness in the index, middle finger or thumb, this may be due to excessive pressure on the exit of the carpal tunnel. On longer rides, this can increasingly cause hand fatigue and make it more and more difficult to maintain a correct hand position.

In the case of ergonomically shaped handles, the palm rests on the anatomically shaped handle. A greater contact surface means that the pressure is more evenly distributed. Nerves and vessels are no longer squeezed in the carpal tunnel.

Moreover, the hand is supported and held in the correct position so that the hand can no longer bend.

If the pre-mounted handles are uncomfortable or cause pain or numbness in the index, middle finger or thumb, ergonomic handles, bar ends or multi-position handlebars should be used.

### 6.5.6.2 Adjusting ergonomic handles

Only applies to pedelecs with this equipment

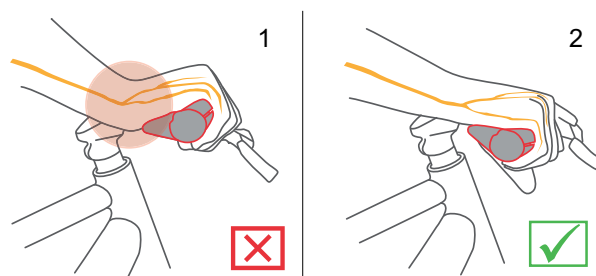


Figure 92: Incorrect (1) and correct (2) position of the handle.



- 1 Undo handle clamping screw.
  - 2 Turn handle into the right position.
  - 3 Fasten handle clamping screw with the torque value indicated there.
- ⇒ The handles are firmly fastened.
- ⇒ The pull-off force of the handles is at least 100 N in the roadster, city and trekking positions, and at least 200 N in the sporty position.

### 6.5.6.3 Checking handlebar stability

► See Section [7.5.6](#).

## 6.5.7 Tyres

### 6.5.7.1 Adjust tyre pressure

It is not possible to offer a general recommended tyre pressure for a particular pedelec or tyre. The correct tyre pressure largely depends on the weight load on the tyres, mainly determined by body weight and baggage.

Unlike cars, the weight of the vehicle has only a small impact on the total weight. Moreover, the personal preferences for low rolling resistance or a high degree of suspension comfort vary a great deal. It is important to remember that

- the higher the tyre pressure is, the lower the wear, rolling resistance and the risk of breakdown are.
- The lower the pressure in the tyre is, the greater the comfort and grip that the tyre offers is.

In the case of pedelecs used on the road, the rule is the greater the tyre pressure is, the lower the tyre rolling resistance is. The risk of breakdown is also lower when the pressure is high. A permanently excessively low tyre pressure often leads to premature wear in the tyre. Cracking in the side wall is a typical consequence of very low tyre pressure. Abrasion is also unnecessarily high.

On the other hand, a tyre can absorb road impacts more effectively at a low pressure.

As a general rule, wide tyres are operated at a lower tyre pressure. They provide the option of exploiting the advantages of the lower tyre pressure without the serious disadvantages it causes with regard to wear, rolling resistance and breakdown protection.

- ✓ Never exceed or go below the minimum and maximum pressure limits indicated on the tyre.

- 1 Pump the tyre to the recommended tyre pressure.

Tyre width	Tyre pressure in bar for body weight		
	about 60 kg	about 80 kg	about 110 kg
25 mm	6.0	7.0	8.0
28 mm	5.5	6.5	7.5
32 mm	4.5	5.5	6.5
37 mm	4.0	5.0	6.0
40 mm	3.5	4.5	6.0
47 mm	3.0	4.0	5.0
50 mm	2.5	4.0	5.0
55 mm	2.0	3.0	4.0
60 mm	2.0	3.0	4.0

Table 39: Recommended tyre pressure for Schwalbe

- 2 Perform a visual check on tyres.



Figure 93: Correct tyre pressure. The tyre is barely deformed under the load of the body weight



Figure 94: Much too little tyre pressure



## 6.5.8 Brake

The handbrake grip distance can be adjusted to ensure that it can be reached more easily. The pressure point can also be adjusted to the pedelec rider's preferences.

### 6.5.8.1 Change handbrake position

Having the brake handle in the correct position prevents the rider from stretching their wrist too far. Moreover, the brake can also be operated without any discomfort and without changing the handle position or releasing the handle.

- ✓ Apply handbrake with the third finger phalanx in bursts to brake gently.
  - ✓ The setting for the middle finger is used for pedelec riders who brake with their middle finger or with two fingers.
- 1 Position your hand on the handle in such a way that the outer heel of the hand is flush with the end of the handlebar.
  - 2 Extend the index finger (about 15°).



Figure 95: Brake handle position

- 3 Push handbrake outwards until the third finger phalanx sits in the recessed grip.

### 6.5.8.2 Change handbrake inclination angle

The nerves that pass through the carpal tunnel are connected to the thumb and the index and middle fingers. An excessively steep or excessively flat brake angle will cause the wrist to bend, thus narrowing the carpal tunnel. This can cause numbness and tingling in the thumb and index and middle fingers.

- 1 Calculate the difference between the height of the handlebars and the saddle height to determine the saddle-handlebar height difference.

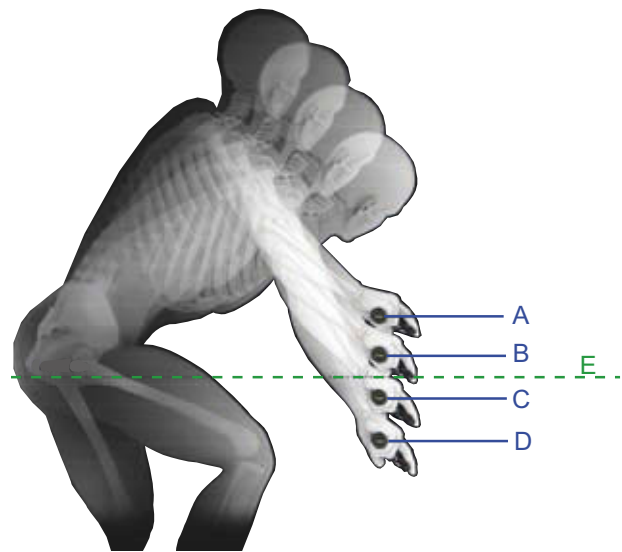


Figure 96: Example of 4 different handlebar heights (A, B, C and D) and the saddle height (E)

Calculation	Saddle-handlebar height difference [mm]
A – E	>10
B – E	0... +10
C – E	0... -10
D – E	< -10

Table 40: Examples of saddle-handlebar height difference

Adjust the angle of the handbrake so that it forms a natural extension of the forearm.

- 2 Set the brake lever angle as indicated in the table.

Saddle-handlebar height difference (mm)	Brake angle
>10	20°...25°
0... 10	25°...30°
0... -10	30°...35°
< -10	35°...45°

Figure 97: Brake angle



### 6.5.8.3 Determining the grip distance

- 1 Measure hand size using the grip distance gauge.
- 2 Adjust the grip distance at the pressure point based on the hand size.



Figure 98: Handbrake positioning

Hand size	Grip distance (cm)
S	2
M	3
L	4

#### 6.5.8.4 Replacing brakes

##### Not included in price



Brake components may only be replaced with original components.

In the case of disc brake pads, the optimum pad compound may be adapted to the surface and the rider's experience.

#### 6.5.8.5 Retracting the brake linings

Disc brakes require wearing-in time. The braking force increases over time. The braking force is increased during break-in time. This is also the case when the brake pads or brake discs are replaced.

- 1 Accelerate pedelec to 25 km/h.
  - 2 Brake pedelec until it comes to a halt.
  - 3 Repeat process 30 to 50 times.
- ⇒ The disc brake is retracted and provides optimal braking power.

## 6.5.9 Tyres

### 6.5.9.1 Adjust tyre pressure

The correct tyre pressure largely depends on the weight load on the tyres. This load is determined by the weight of the pedelec, the rider's body weight and the luggage load.

Unlike cars, the weight of the vehicle has little impact on the total weight. Moreover, the personal preferences for low rolling resistance or a high degree of suspension comfort vary a great deal.

It is important to remember that

- the higher the tyre pressure is, the lower the wear, rolling resistance and the risk of breakdown are.
- The lower the pressure in the tyre is, the greater the comfort and grip that the tyre offers is.

In the case of pedelecs used on the road, the rule is the greater the tyre pressure is, the lower the tyre rolling resistance is. The risk of breakdown is also lower when the pressure is high. A permanently excessively low tyre pressure often leads to premature wear in the tyre. Cracking in the side wall is a typical consequence of very low tyre pressure. Abrasion is also unnecessarily high.

On the other hand, a tyre can absorb road impacts more effectively at a low pressure.

As a general rule, wide tyres are operated at a lower tyre pressure. They provide the option of exploiting the advantages of the lower tyre pressure without the serious disadvantages it causes with regard to wear, rolling resistance and breakdown protection.

- ✓ Never exceed or go below the minimum and maximum pressure limits indicated on the tyre.

**1** Pump the tyre to the recommend tyre pressure.

Tyre width	Tyre pressure in bar for body weight		
	approx. 60 kg	approx. 80 kg	approx. 110 kg
25 mm	6.0	7.0	8.0
28 mm	5.5	6.5	7.5
32 mm	4.5	5.5	6.5
37 mm	4.0	5.0	6.0
40 mm	3.5	4.5	6.0
47 mm	3.0	4.0	5.0
50 mm	2.5	4.0	5.0
55 mm	2.0	3.0	4.0
60 mm	2.0	3.0	4.0

**Table 41: SCHWALBE recommend tyre pressure**

**2** Perform a visual check on tyres.



**Figure 99: Correct tyre pressure. The tyre is barely deformed under the load of the body weight**



**Figure 100: Much too little tyre pressure**

### 6.5.9.2 Replacing tyres

#### Not included in price



Tyres are components that may be replaced after approval by the vehicle or parts manufacturer.

Different tyres need to be used when the area of use is changed, more weight or greater puncture protection is added, and greater acceleration or more dynamic cornering is used.

Tyres may be replaced if

- They are approved for use on e-bikes
- They comply with ETRTO dimensions
- They have the same load capacity as a minimum
- They have a comparable level of puncture protection as a minimum

### 6.5.9.3 Grip distance on a SHIMANO ST-EF41 brake lever

#### Only applies to pedelecs with this equipment

The brake lever position can be adjusted to the rider's requirements. Such adjustment does not affect the pressure point or the position of the brake linings.

- ▶ Turn setting screw anti-clockwise towards minus (-).
- ⇒ The brake lever moves closer to the handlebar grip.
- ▶ Turn setting screw clockwise towards plus (+).
- ⇒ The brake lever moves away from the handlebar grip.

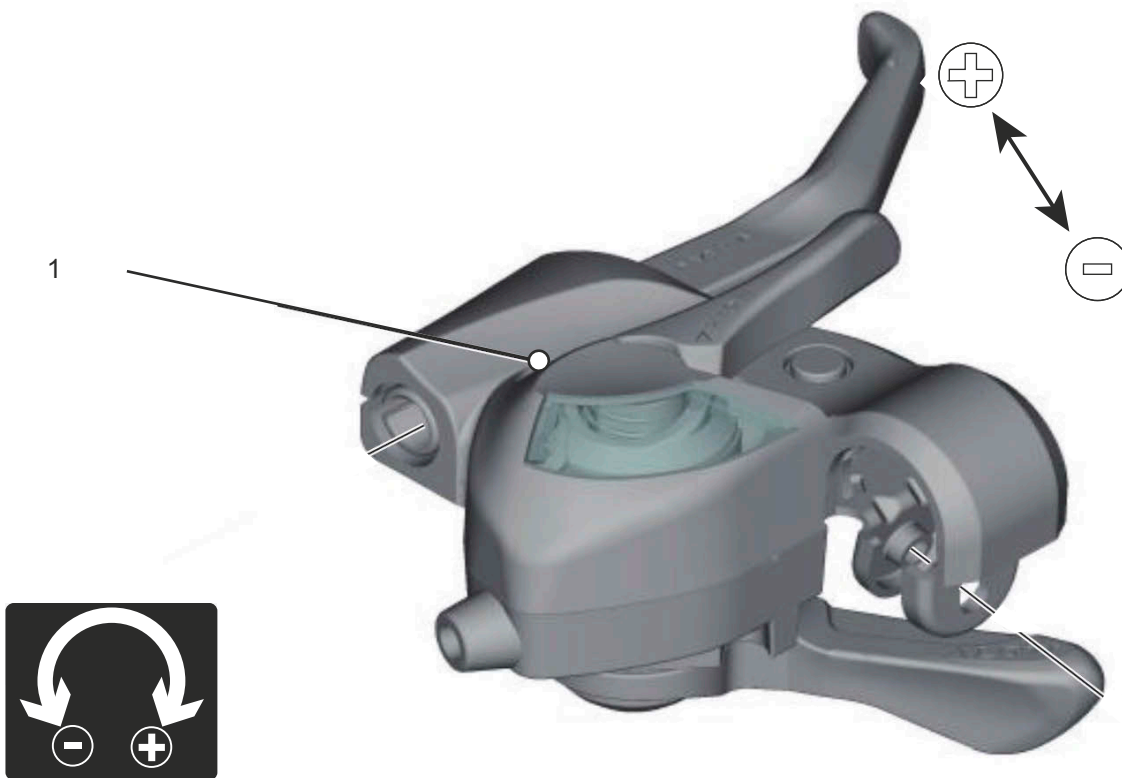


Figure 101: Setting screw position (1)

#### 6.5.9.4 Grip distance on a SHIMANO ST-EF41 handbrake

Only applies to pedelecs with handbrakes:

BL-M4100  
BL-M7100  
BL-M8100  
BL-MT200  
BL-MT201  
BL-MT400  
BL-MT401  
BL-MT402  
BL-T6000  
GRX ST-RX600  
M7100  
M8100  
RS785

The handbrake position can be adjusted to the pedelec riders' requirements.

► Contact specialist dealer.

## 6.5.10 Suspension

A pedelec's fork suspension and rear frame damper suspension can be adjusted to the rider's weight in up to six increments, depending on the suspension system.

► Follow the correct order for adjustment.

Sequence	Adjustment	Section	For pedelecs with components only	
			Suspension fork	Rear frame damper
1	Adjust the suspension fork sag	<a href="#">6.3.13</a>	x	
2	Adjust the rear frame damper sag	<a href="#">6.3.14</a>		x
3	Adjust suspension fork rebound damper	<a href="#">6.3.15</a>	x	
4	Adjust rear frame damper rebound damper	<a href="#">6.3.16</a>		x
5	Adjust the rear frame damper compression adjuster	<a href="#">6.3.17</a>		x
6	The fork compression adjuster is adjusted to the terrain while riding.	<a href="#">6.11</a>		x

**Table 42: Order for adjusting the suspension**

## 6.5.11 Fork sag



### Crash caused by incorrectly set suspension

If the suspension is set incorrectly, the fork may become damaged, meaning problems may occur when steering. This will cause a crash with injuries.

- Never ride the bicycle without air in the air suspension fork.
- Never use the pedelec without adjusting the suspension fork to the rider's weight.

Adjustments on the chassis change ride performance significantly. The rider needs to get used to the pedelec and break it in to prevent accidents.

The sag depends on the position and rider's weight and should be between 10% and 30% of the maximum fork deflection, depending on preferences and on how the pedelec is used.

### Greater sag (20%...30%)

A greater sag increases sensitivity to bumps, thus producing greater suspension motion. A greater sensitivity to bumps ensures more comfortable ride performance and is used on pedelecs with a longer deflection.

### Decreased sag (10%...20%)

A decreased sag reduces sensitivity to bumps, thus producing less suspension motion. A lower sensitivity to bumps ensures a firmer, more efficient ride performance and is generally used on pedelecs with a shorter deflection.

The adjustment shown here represents a basic setting. The rider should change the basic setting to suit the surface and their preferences.

It is advisable to make a note of the basic settings. These can then be used as a starting point for subsequent optimised settings and as a safeguard against unintentional changes.



**6.5.11.1 ROCKSHOX Paragon Silver coil spring**  
**Only applies to pedelecs with this equipment**

- 1 Put on normal cycling clothing.
- 2 Ask someone to hold the pedelec.
- 3 Stand on the pedals. Allow the damper to deflect three times. Sit or stand on the pedelec in a normal riding position.
- 4 Ask your helper to push the **O-ring** downwards until it reaches the top of the dust wiper seal.



Figure 102: Moving the O-ring on the suspension fork

- 5 Get off the pedelec without allowing it to deflect.
- 6 Note distance between dust wiper and the O-ring. This distance is the sag.

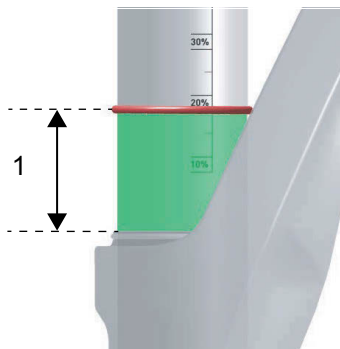


Figure 103: Sag (1)

- 7 Check the sag.

Setting	Sag
Prohibited	>30%
High sensitivity	20...30%
Low sensitivity	10...20%
Prohibited	< 10

Table 43: Recommended sag



Figure 104: Mandatory sag range (green) and prohibited sag range (red)

- 8 If the desired sag is not achieved, the spring preload must be adjusted inside and/or the coil spring replaced. Contact specialist dealer.

**Adjusting preload internally**

- ▶ Only your specialist dealer may make an internal adjustment to the preload.

Preloading the coil spring on ROCKSHOX Paragon forks is an internal adjustment that compresses or decompresses the spring without changing the deflection.

The coil spring can be preloaded 5 mm or 10 mm using the internal preload spacer.





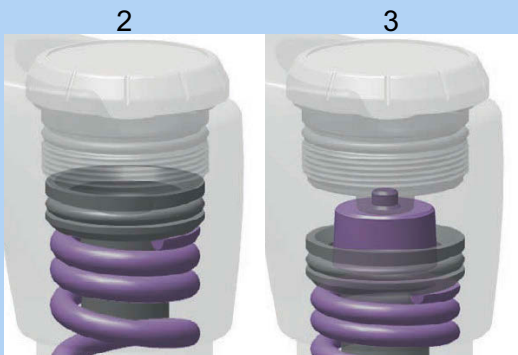
**9** Take off the cover cap to remove or reposition the preload spacer.

⇒ On a new vehicle, the 5-mm preload position of the preload spacer is positioned as standard (1).



**Figure 105: Screwing and unscrewing the preload adjustment ring**

- ▶ Remove the preload spacer to reduce the preload and increase the sag (2).
- ▶ Move the preload spacer to the 10-mm preload position to increase preload and reduce the sag (3).



**Figure 106: Screwing and unscrewing the preload adjustment ring**

**10** Check the sag.

### 6.5.11.2 Adjusting the RockShox coil spring with an external preload adjuster

Only applies to pedelecs with this equipment

- 1 Turn the preload adjustment ring anti-clockwise until it locks into position anticlockwise.

⇒ The lowest, i.e. softest spring preload is set.

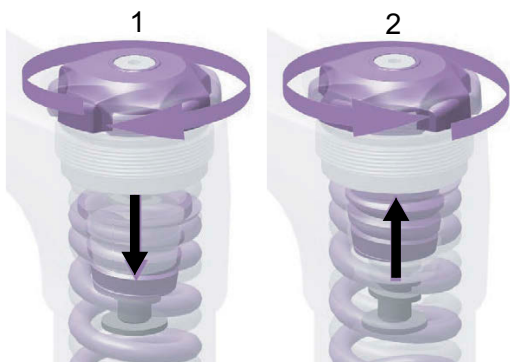


Figure 107: Screwing (1) and unscrewing (2) the preload adjustment ring

- 2 Put on normal cycling clothing. Ask someone to hold the pedelec.
- 3 Stand on the pedals. Allow the damper to deflect three times. Sit or stand on the pedelec in a normal riding position.
- 4 Ask your helper to push the O-ring downwards until it reaches the top of the dust wiper seal.



Figure 108: Moving the O-ring on the suspension fork

- 5 Get off the pedelec without allowing it to deflect.

- 6 Note distance between dust wiper and the O-ring. This distance is the sag.

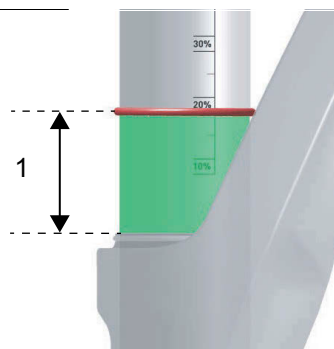


Figure 109: Sag (1)

Setting	Sag
Prohibited	>30%
High sensitivity	20...30%
Low sensitivity	10...20%
Prohibited	< 10

Table 44: Recommended sag

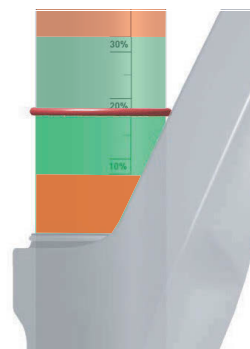


Figure 110: Mandatory sag range (green) and prohibited sag range (red)

- 7 If the desired sag is not achieved, the preload adjustment ring must be unscrewed bit by bit.

8 The coil spring must be replaced if the desired sag cannot be achieved by twisting the preload adjustment ring. Contact specialist dealer.



### 6.5.11.3 Adjusting the ROCKSHOX fork coil spring with spacer for pre-tensioning

Only applies to pedelecs with this equipment

- 1 Put on normal cycling clothing (including baggage).
- 2 Ask someone to hold the pedelec.
- 3 Stand on the pedals. Allow the damper to deflect three times. Sit or stand on the pedelec in a normal riding position.
- 4 Ask your helper to push the O-ring downwards until it reaches the top of the dust wiper seal.



Figure 111: Moving the O-ring on the suspension fork

- 5 Get off the pedelec without allowing it to deflect.
- 6 Note distance between dust wiper and the O-ring. This distance is the sag.

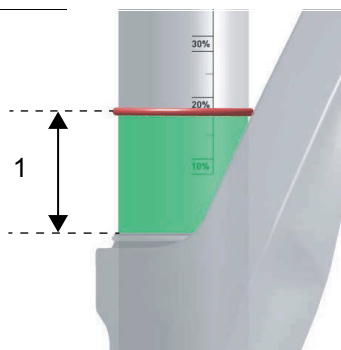


Figure 112: Sag (1)

- 7 Check the sag.

Setting	Sag
Prohibited	>30%
High sensitivity	20–30%
Low sensitivity	10–20%
Prohibited	< 10

Table 45: Recommended sag

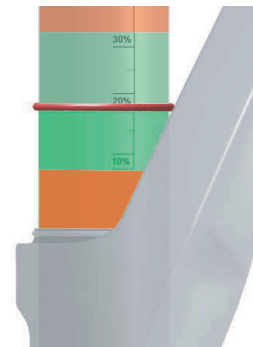


Figure 113: Mandatory sag range (green) and prohibited sag range (red)

- 8 If the desired sag is not achieved, the spring preload must be adjusted inside and/or the coil spring replaced. Contact specialist dealer.



## 9 Adjusting preload internally

- ▶ Only your specialist dealer may make an internal adjustment to the preload.

Preload spacers compress or decompress the spring without changing deflection.

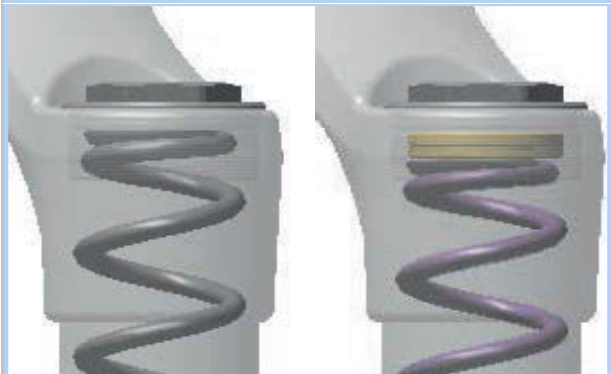


Figure 114: Screwing and unscrewing the preload adjustment ring

The coil spring can be preloaded with the maximum number of preload spacers specified for the fork model in question.

The coil spring can be preloaded with the maximum number of preload spacers specified for the fork model in question.

- ▶ Remove spacers to reduce preload and increase the sag.
- ▶ Fit spacers to increase preload and decrease sag.

You will find instructions on adjusting the preload internally in the RockShox maintenance instructions.

## 10 Check the sag.

The spring preload setting can be used to finely adjust the sag; However, the preload does not change spring stiffness and is not suitable to substitute the correct compression spring rate.

- ▶ If the desired sag is not achieved with the maximum number of spacers, you must replace the coil spring with a harder spring.
- ▶ If the desired sag cannot be achieved without a preload spacer, you must replace the coil spring with a softer spring.

### 6.5.12 Adjust the rear frame damper sag

Adjustments on the chassis change ride performance significantly. The rider needs to get used to the pedelec and break it in to prevent accidents.

#### **Greater sag (20... 30%)**

A greater sag increases sensitivity to bumps, thus producing greater suspension motion. A greater sensitivity to bumps ensures more comfortable ride performance and is used on bicycles with a longer deflection.

#### **Decreased sag (10...20%)**

A decreased sag reduces sensitivity to bumps, thus producing less suspension motion. A lower sensitivity to bumps ensures a firmer, more efficient ride and is generally used on bicycles with a longer deflection.

The adjustment shown here represents a basic setting. The rider should change the basic setting to suit the surface and their preferences.

It is advisable to make a note of the basic settings. These can then be used as a starting point for subsequent optimised settings and as a safeguard against unintentional changes.

### 6.5.12.1 Adjusting the RockShox rear frame damper

Only applies to pedelecs with this equipment

- ✓ The fork sag is adjusted.
- ✓ When adjusting the sag, ensure that all dampers are in the open position, i.e. turned anti-clockwise until they stop.

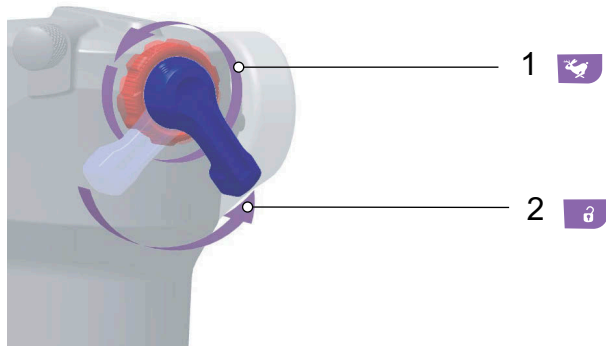


Figure 115: Opening the rebound damper (1) and compression adjuster (2)

- 1 Release air completely from rear frame damper.
- 2 Pressurise the air spring chamber to 100 PSI (6.9 bar) with a high-pressure damper pump.
- 3 Detach high-pressure damper pump.
- 4 Fully deflect rear frame damper five times to compensate the positive and negative air suspension.
- 5 Use a high-pressure damper pump to fill the rear frame damper to the pressure corresponding to the total weight of the person riding, including clothing and baggage.

#### Notice

If the air pressure in the rear frame damper is exceeded or undershot, the damper can be permanently damaged. The details are on the rear frame damper.

Weight		Air pressure	
Kilogram	Pound (lbs)	Pound per square inch	Bar
55	121	121	8.3
60	132	132	9.1
65	143	143	9.9
70	154	154	10.6
75	165	165	11.4
80	176	176	12.1
85	187	187	12.9
90	198	198	13.7
95	209	209	14.4
100	220	220	15.7
110	242	242	16.7

Table 46: Filling pressure table for ROCKSHOX rear frame dampers

- 6 Deflect rear frame damper to compensate the air pressure.
- 7 Put on normal cycling clothing (including baggage).
- 8 Ask someone to hold the pedelec. Stand on the pedals.
- 9 Deflect rear frame damper fully gently two or three times.
- 10 Ask your helper to push the O-ring against the wiper seal.



Figure 116: Moving the O-ring on the rear frame damper

**11** Read the sag value on the scale.

The optimum sag percentage is 25%. The sag level may be adjusted by  $\pm 5\%$ , depending on the rider's preferences (20% to 30%).

**12** The air pressure must be adjusted if the sag level is not reached.

- ▶ Increase the air pressure to reduce the sag.
- ▶ Decrease the air pressure to increase the sag.



### 6.5.13 Adjusting the rear frame damper rebound damper

#### Only applies to pedelecs with this equipment

The rear frame damper rebounds at a controlled speed if it is optimally adjusted. The rear wheel does not bounce off rough surfaces or the ground; it stays in contact with the ground instead (blue line).

The saddle is raised slightly if the bump is compensated and gently sinks downwards when the suspension deflects as soon as the wheel touches the ground after the bump. The rear

frame damper rebounds in a controlled way, so that the rider remains sitting in a horizontal position when the next bump is absorbed. The suspension motion is predictable and controlled. The rider is not thrown upwards or forwards (green line).

The rebound adjuster setting depends on the air pressure setting. A higher sag requires lower rebound damping.



Figure 117: Optimum rear frame damper riding performance

The suspension rebound speed affects the wheel's contact with the ground, which, in turn, has an influence on control and efficiency. The damper should rebound fast enough to sustain traction without producing an erratic or bumpy sensation. If rebound damping is too tight, the damper is unable to rebound fast enough before the next impact.

Adjust the rebound damping in such a way that the rear frame damper rebounds quickly, but without bottoming out upwards. Bottoming out refers to when the rear frame damper rebounds too quickly and stops moving abruptly once it has reached the full rebound distance. You can hear and feel a slight impact when this happens.

## 6.5.14 Fork rebound damping

### Only applies to pedelecs with this equipment

Rebound damping in the suspension fork and the rear frame damper determines the speed at which the rear frame damper rebounds after being subjected to load. Rebound damping controls the suspension fork extension and rebound speed, which, in turn, has an impact on traction and control.

Rebound damping can be adjusted to body weight, spring stiffness, deflection, the terrain and the pedelec rider's preferences.

If the air pressure or spring stiffness increases, the extension and rebound speeds also increase.

Rebound damping needs to be increased to achieve an optimal setting if the air pressure or spring stiffness is increased.

The damper rebounds at a controlled speed if the fork is optimally adjusted. The wheel stays in contact with the ground when passing over bumps (blue line).

The fork head, handlebars and body follow terrain (green line) when riding over bumps. The suspension motion is predictable and controlled.



Figure 118: Optimum fork ride performance

### 6.5.14.1 Adjusting the RockShox suspension fork

Only applies to pedelecs with this equipment

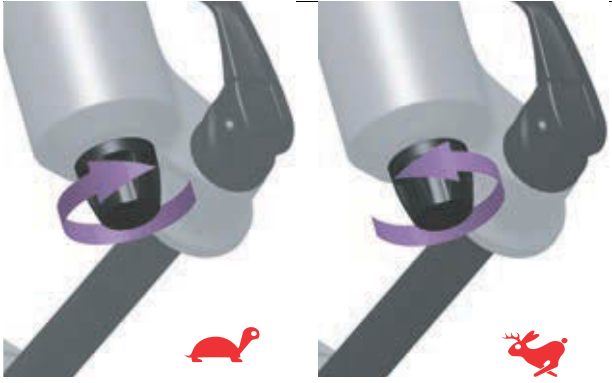


Figure 119: Adjusting the RockShox rebound

- ✓ The fork sag is adjusted.
- ▶ Turn the rebound screw clockwise towards the tortoise symbol.
  - ⇒ The rebound speed is decreased (slower return).
- ▶ Turn the rebound screw anti-clockwise towards the hare symbol.
  - ⇒ The rebound speed is increased (fast return).

### 6.5.14.2 Adjusting the RockShox rear frame damper

Only applies to pedelecs with this equipment

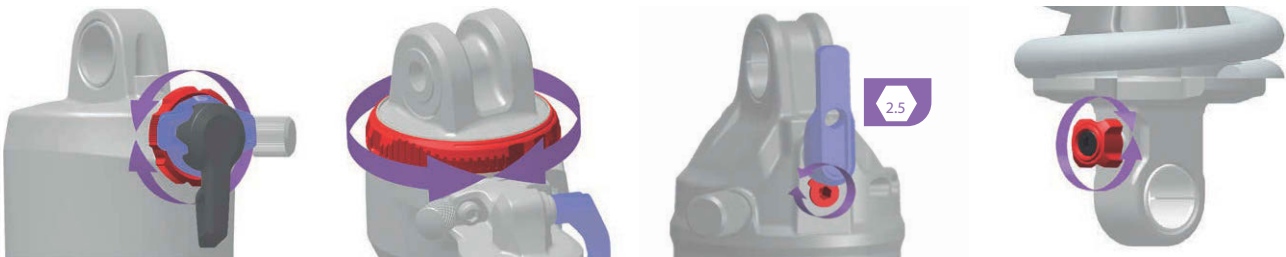


Figure 120: Position and shape of the rebound adjuster (red) depends on the model

- ✓ The sag in the rear frame damper is adjusted.
- ▶ Turn **rebound adjuster** in the clockwise direction.
  - ⇒ The rebound damping is increased.
- ▶ Turn **rebound adjuster** in the anti-clockwise direction.
  - ⇒ The rebound damping is reduced.

### 6.5.15 Compression adjuster on rear frame damper

When optimally adjusted, the rear frame damper deflects quickly and unhindered when the bike hits bumps and absorbs a bump. Traction is retained (blue line).

The saddle rises slightly when absorbing a bump (green line).

#### Compression adjuster set to hard

- Allows the rear frame damper to move higher in the deflection range. This makes it easier to improve efficiency and maintain momentum when pedalling or riding over uniformly hilly terrain and around bends.
- Deflection feels somewhat harder on bumpy terrain.

#### Compression adjuster set to soft

- Allows the damper to deflect quickly and easily. This makes it easier to maintain speed and momentum when riding over bumpy terrain.
- Deflection feels somewhat less hard on bumpy terrain.



Figure 121: Optimum rear frame damper ride performance over bumps

#### Threshold

The damping threshold prevents deflection until a medium impact or downward force occurs. Threshold mode increases drive efficiency over level terrain.

The threshold setting can be used to improve pedalling efficiency over flat, hilly, level or slightly rugged terrain. In threshold mode, higher pedelec speeds lead to greater impact force when a pedelec hits a bump, causing the fork to deflect, and the bump is absorbed.

- When the compression adjuster is in the open position, the rear frame damper deflects quickly and unhindered through its entire deflection range.
- When the compression adjuster is in the threshold position, the rear frame damper counteracts deflection until a medium impact or downward force occurs.
- When the compression adjuster is in the blocked position, the rear frame damper counteracts deflection throughout its deflection range until a strong impact or downward force occurs.

### 6.5.15.1 Adjusting the RockShox compression adjuster

Only applies to pedelecs with this equipment

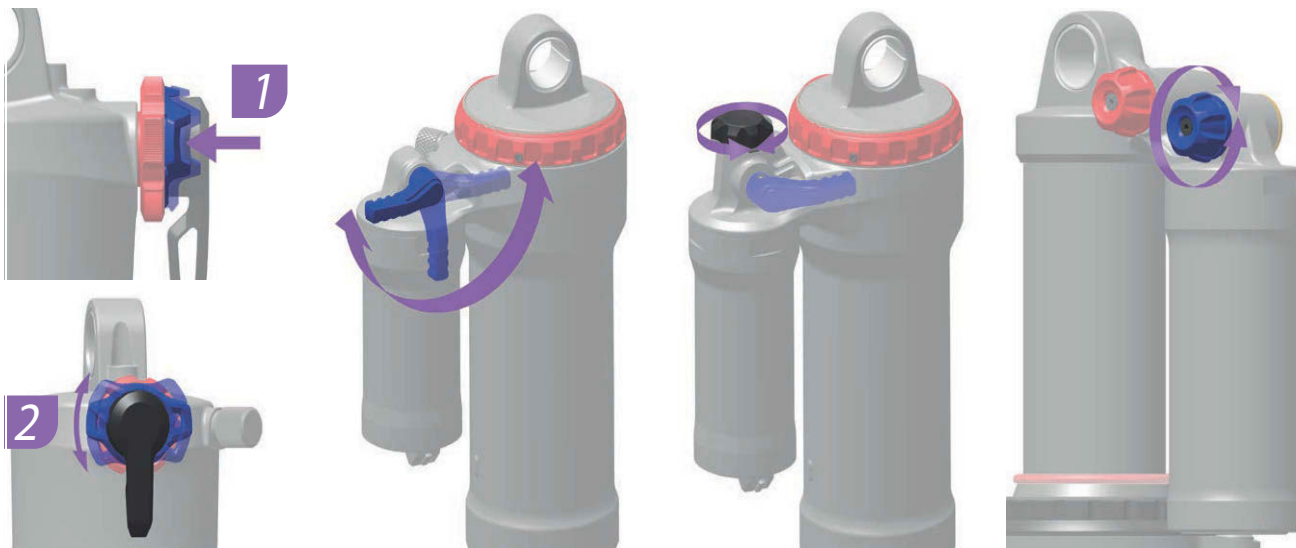


Figure 122: Position and shape of the compression adjuster (blue) depends on the model

- 1 Set the **compression adjuster** to the middle position.
- 2 Ride the pedelec over a small obstacle.
  - ▶ Turn **compression adjuster** clockwise.
    - ⇒ The damping and compression hardness is increased. The deflection stroke speed is reduced.
  - ▶ Turn **compression adjuster** anti-clockwise.
    - ⇒ The damping and compression hardness is reduced. The deflection stroke speed is increased.
- 3 The ideal setting for the rebound damper has been achieved when the rebound movement of the rear wheel feels comparable to that of the front wheel.

### 6.5.15.2 Adjusting the RockShox threshold

Only applies to pedelecs with this equipment

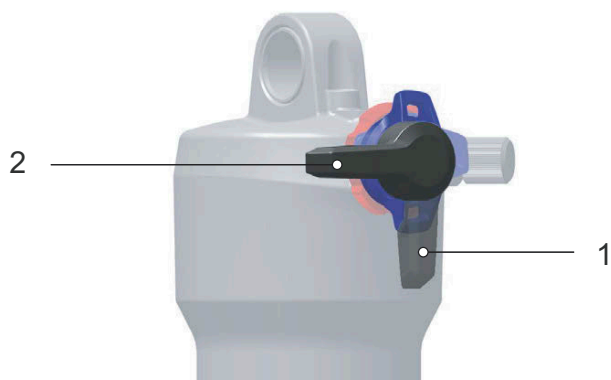


Figure 123: The lever's open position (1) and threshold position (2)

- ▶ Place **threshold lever** in the threshold position (2).
  - ⇒ The threshold function is switched on.
- ▶ Place **threshold lever** in the open position (1).
  - ⇒ The threshold function is switched off. The damper can deflect quickly and unhindered.



Figure 124: Changing compression adjuster to a harder setting

- ▶ To increase sensitivity to small bumps, turn compression adjuster anti-clockwise to decrease damping and hardness and increase the deflection speed.

## 6.5.16 Riding light

### Example 1

If the headlight is positioned too high, oncoming traffic will be dazzled. This can cause a serious accident with fatalities.

### Example 2

Positioning the headlight correctly can ensure that oncoming traffic is not dazzled and no-one is put at risk.

### Example 3

If the headlight is positioned too low, the space ahead is not illuminated to an optimum extent and the rider's vision is reduced in the dark.

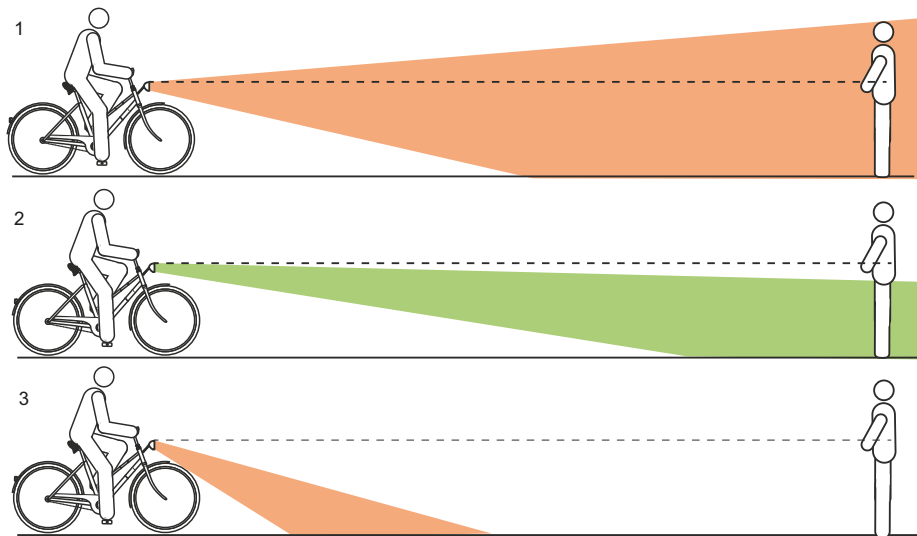


Figure 125: Light positioned too high (1), correctly (2) and too low (3)



## 6.5.16.1 Adjusting the headlight

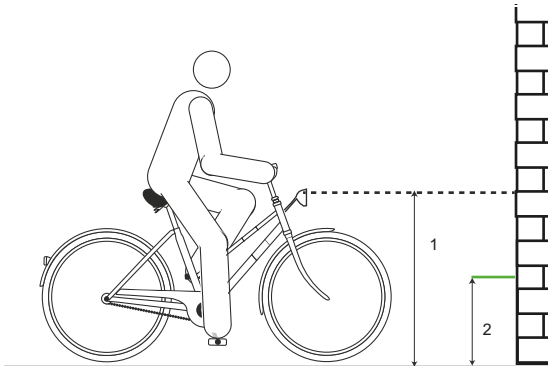


Figure 126: Measuring on the wall

- 1 Position the pedelec so that its front is facing a wall.
- 2 Mark the height of the headlight (1) on the wall with chalk.
- 3 Mark half the height of the headlight (2) on the wall with chalk.

- 4 Place pedelec 5 m in front of the wall.
- 5 Stand the pedelec up straight.

- 6 Hold the handlebars straight with both hands. Do not use the kickstand.
- 7 Switch on riding light.

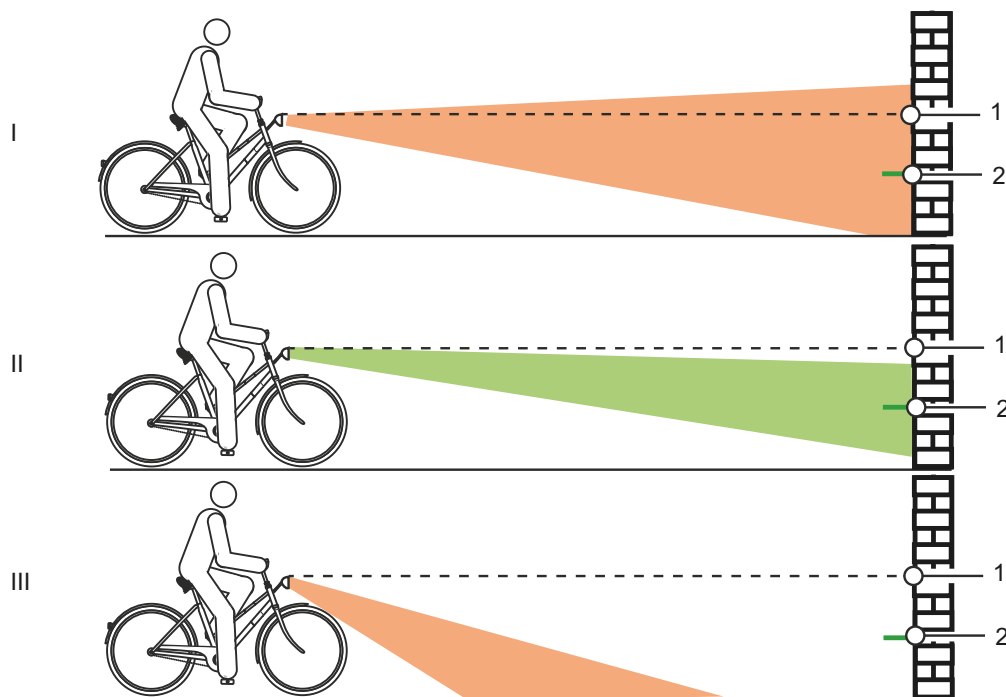


Figure 127: Light positioned too high (1), correctly (2) and too low (3)

- 8 Check the position of the light beam.
  - ▶ (I) if the upper edge of the light beam is above the headlight height mark (1), the riding light will dazzle. The headlight must be positioned lower.
  - ▶ If the mid-point of the light beam is on or slightly below the mark showing half the height of the headlight (2), the lighting is optimally positioned.
  - ▶ If the light beam is in front of the wall, move the headlight up.

## 6.5.17 On-board computer

A smartphone with the eBike Flow application is required to use all drive system functions. The pedelec is connected to the app via a Bluetooth® connection.

### 6.5.17.1 Creating a user account

The rider needs to register online and create a user account first.

#### Registering on a PC

- 1 Create the user account on the BOSCH website.
- 2 Enter all the details required for registration.

#### Registering on a smartphone

##### Apple iPhones

- ▶ Download the Bosch eBike Flow smartphone app from the App Store free of charge.

##### Android devices

- ▶ Download the eBike Flow smartphone app from the Google Play Store free of charge.

### 6.5.17.2 Connecting the on-board computer with the smartphone

- ✓ The BOSCH eBike Flow app is downloaded onto the smartphone.
  - ✓ The drive system is switched on.
  - ✓ The pedelec is stationary.
- 1 Launch app.
  - 2 Select the <My eBike> tab in the app.
  - 3 Select the <Add new eBike device> tab in the app.
  - 4 Press the **On-Off button on the pedelec** for longer than 3 seconds.
    - ⇒ The top bar on the control panel battery level indicator flashes blue.
    - ⇒ The on-board computer will switch the Bluetooth® Low Energy connection on and change to pairing mode.
  - 5 Release the **On-Off button**.
  - 6 Accept the connection prompt in the app.

- 7 Follow the instructions on the display.

- ⇒ The user data will be synchronised once the pairing process is complete.

### 6.5.17.3 Update software

Software updates are managed by the Bosch eBike Flow smartphone app.

- ✓ The on-board computer is now connected to the smartphone.
  - ✓ The drive system is switched on.
  - ✓ The pedelec is stationary.
- ⇒ A new software update is downloaded automatically onto the on-board computer.
  - ⇒ The battery level indicator will flash green during updates to show how the update is progressing.
  - ⇒ The system is restarted after an update has completed successfully.

### 6.5.17.4 Activating activity tracking

- ✓ Your location will only be logged if the on-board computer is connected to the Bosch eBike Flow smartphone app.
- ▶ Agree to activities being collected and stored on the platform or in the app.
  - ⇒ All the pedelec's activities are stored and displayed on the platform and in the app.

### 6.5.17.5 Setting up the lock function (optional)

The user account can be used to activate the lock function. This will create a digital key on the smartphone, which is required to start the drive system.

Once the lock function is switched on, the pedelec can only be put into use if:

- the configured smartphone is switched on,
- the smartphone is charged sufficiently and
- the smartphone is directly next to the control panel.

If the key is not immediately verified on the smartphone, the battery level indicator and the display of selected support level on the pedelec flash white to indicate a search for the key.

If the key is found, the battery level indicator flashes white. The last configured level of assistance is displayed. If the key cannot be found on the smartphone, the pedelec drive system switches off. The indicators on the control panel go off.

As the smartphone is only used as a contactless key to switch on the pedelec, the battery and control panel can still be used on another, unblocked pedelec.

#### 6.5.17.6 Inserting the display

- 1 Place display (1) on the locking hook (2) on the front edge of display mount (3) facing the direction of travel.
- 2 Press display rear onto the display mount.

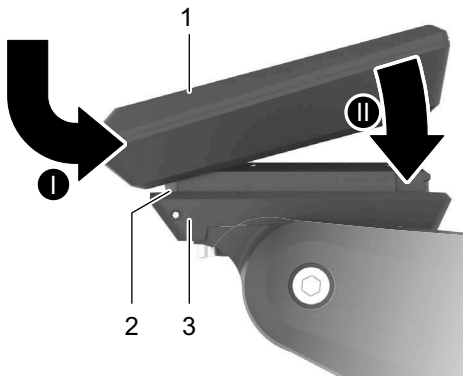


Figure 128: Inserting the display

#### 6.5.17.7 Securing the on-board computer (optional)

It is possible to secure the on-board computer so that it cannot be removed. The locking plate does not offer theft detection.

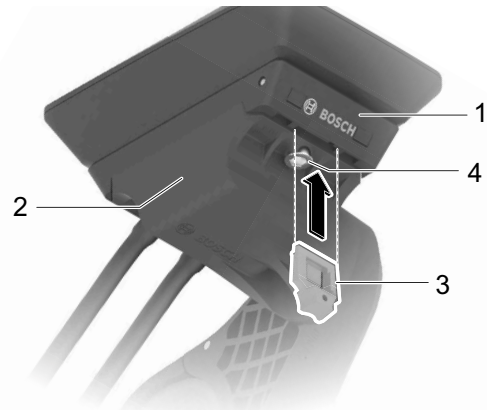


Figure 129: Position of headset screw

- 1 Insert locking plate (3) into the adapter tray (2) until you hear the locking plate lock into position.
- ⇒ The display mount (1) can now only be removed if the two attachment screws (4) are undone.

#### 6.5.17.8 Removing the on-board computer

- ⇒ The on-board computer can be removed if it is not secured.

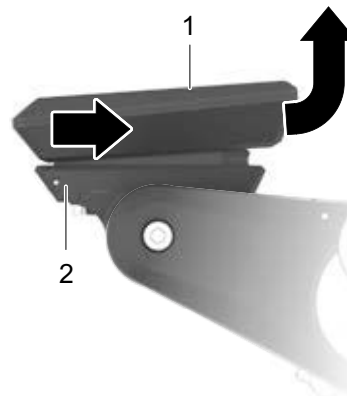


Figure 130: Removing the on-board computer

- Pull display (1) forwards until the display is lifted from the display mount (2).

### 6.5.17.9 Adjust on-board computer

#### Notice

- ▶ Never use on-board computer, the display or the display mount as a handle. If the on-board computer, display or display mount are used to lift the pedelec, components can become irreparably damaged.

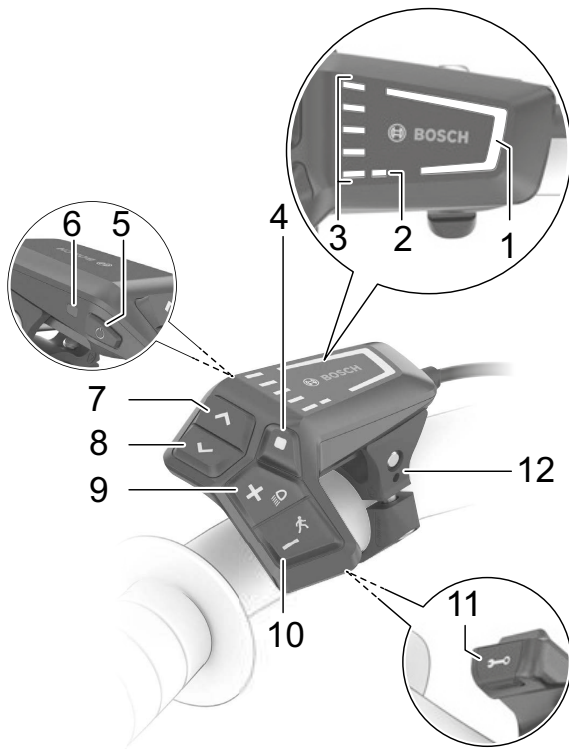


Figure 131: Overview of BOSCH LED Remote control panel

	Symbol	Designation
1		Selected level of assistance indicator
2		ABS indicator (optional)
3		Battery level indicator (control panel)
4	■	Select button
5	⏻	On-Off button (control panel)
6		Ambient light sensor
7	>	Increase brightness button/ forward button

Table 47: Overview of control panel

	Symbol	Designation
8	<	Decrease brightness button/ back button
9	+	Plus button/ light button
10	-	Minus button/ push assist button
11		Diagnosis connection (for maintenance purposes only)
12		Mount

Table 47: Overview of control panel

You can use the **select button** (4) to perform the following functions:

- Open the QUICK MENU while riding.
- Open the SETTINGS MENU on the STATUS SCREEN while the bicycle is stationary.
- Confirm values and accept information notifications
- Leave a dialogue.

You can use the **forward button** (7) and **back button** (8) to access the different user interfaces with information on ride values even when riding. This means both hands remain on the handlebars while you are cycling.

You can use the **plus button** (9) and the **minus button** (10) to increase and decrease the level of assistance. You can use the buttons to scroll up and down a list (such as the SETTINGS menu).

#### Open start screen

- ▶ Press **On-Off button**

⇒ The START SCREEN is displayed.

#### Opening the screens

- ▶ Press the **forward button** or **back button**.

⇒ A new screen is displayed.

#### Open Status screen

1 Open the START SCREEN.

2 Press the **Back button**.

⇒ The STATUS SCREEN is displayed.

### 6.5.17.10 Adjust on-board computer

- ✓ The pedelec is stationary. You cannot open and adjust the settings while riding.
- ✓ The display is inserted and shows the start screen.

- 1 Open STATUS SCREEN.
- 2 Press the **Select button**.

The settings menu is displayed.

Menu	Submenu
My eBike	→ <Range reset>
	→ <Auto trip reset [Current value]>
	→ <Wheel circumf.>
	→ <Components>
System	→ <Language>
	→ <Units>
	→ <Time>
	→ <Time format>
	→ <Brightness>
	→ <Settings reset>
Information	→ <Contact>
	→ <Certificates>

Table 48: Basic structure of Kiox300 menu and sub-menu

- ⇒ Use the **Plus** and **Minus buttons** to select the required setting.
- ▶ Press the **Select button** to confirm.
- ▶ Use the **Back button** to return to the previous menu.
- ▶ Follow the instructions on the on-board computer.

### 6.5.17.11 Selects the language

- 1 Open <System> menu item.
  - 2 Open <Language> sub-menu item.
  - 3 Follow the instructions on the on-board computer.
- ⇒ The language has been selected.

### 6.5.17.12 Adjusting the clock

- 1 Open <System> menu item.
  - 2 Open <Time> sub-menu item.
  - 3 Follow the instructions on the on-board computer.
- ⇒ The time has been set.

### 6.5.17.13 Adjusting the time format

- 1 Open <System> menu item.
  - 2 Open <Time format> sub-menu item.
  - 3 Follow the instructions on the on-board computer.
- ⇒ The Time Format is set.

### 6.5.17.14 Selecting units

- 1 Open <System> menu item.
  - 2 Open <Units> sub-menu item.
  - 3 Follow the instructions on the on-board computer.
- ⇒ The unit of speed is displayed in the selected km/h or mph format.

### 6.5.17.15 Setting the brightness

- 1 Open <System> menu item.
  - 2 Open <Brightness> sub-menu item.
  - 3 Follow the instructions on the on-board computer.
- ⇒ The brightness has been set.

### 6.5.17.16 Reset settings

- 1 Open <System> menu item.
  - 2 Open <Settings reset> sub-menu item.
  - 3 Follow the instructions on the on-board computer.
- ⇒ All settings are reset to the factory settings. All user data has been cleared.

## 6.6 Accessories

Not included in price

### 6.6.1 Child seat



Child seats may only be used with the vehicle manufacturer's approval and only if they are approved for use on e-bikes.

#### **WARNING**

##### Crash caused by incorrect child seat

Pannier racks with a maximum load capacity under 27 kg and the down tube are unsuitable for mounting child seats and may break. Such an incorrect position may cause a crash with serious injuries for the pedelec rider or child.

- ▶ Never attach a child seat to the saddle, handlebars or down tube.

#### **CAUTION**

##### Crash caused by improper handling

When using child seats, the pedelec's handling characteristics and stability change considerably. This can cause a loss of control, a crash and injuries.

- ▶ You should practice how to use the child seat safely before using the pedelec in public spaces.

##### Risk of crushing due to exposed springs

The child may crush his/her fingers on exposed springs or open mechanical parts of the saddle or the seat post.

- ▶ Never install saddles with exposed springs if a child seat is being used.
- ▶ Never install suspension seat posts with open mechanical parts or exposed springs if a child seat is being used.

## Notice

- ▶ Observe the legal regulations on the use of child seats.
- ▶ Observe the operating and safety instructions for the child seat system.
- ▶ Never exceed the maximum permitted total weight.

The specialist dealer will advise you on which child seat system is suitable for the child and the pedelec.

The specialist dealer must install the child seat the first time to ensure that it is safely fitted.

When installing a child seat, it must be ensured that:

- the seat and the seat fastening are suitable for the pedelec
- all components are installed and securely fastened
- shift cables, brake cables, hydraulic and electrical cables are adjusted as necessary
- the pedelec rider has optimum freedom of movement
- the maximum permitted total weight of the pedelec is observed.

The specialist dealer will provide instruction on how to handle the pedelec and the child seat.

## 6.6.2 Trailer



Trailers may only be used with the vehicle manufacturer's approval and only if they are approved for use on e-bikes.



### Crash caused by brake failure

The braking distance may be longer if the trailer is carrying excessive load. The long braking distance can cause a crash or an accident and injuries.

- ▶ Never exceed the specified trailer load.

### Notice

- ▶ The *operating* and safety instructions for the trailer system must be observed.
- ▶ Observe the statutory regulations on the use of bicycle trailers.
- ▶ Only use type-approved coupling systems.

A pedelec which is approved for towing a trailer will bear an appropriate adhesive label. You may only use trailers with a tongue load and weight which do not exceed the permitted values.

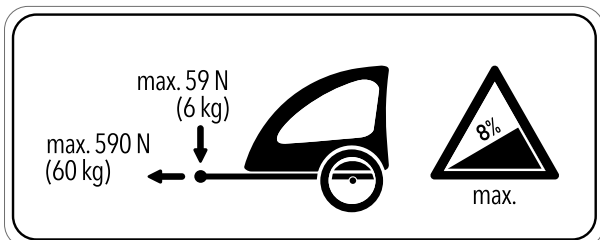


Figure 132: Trailer sign

The specialist dealer will advise you on which trailer system is suitable for the pedelec. The specialist dealer must install the trailer the first time to ensure that it is fitted safely.

### 6.6.2.1 Approval for trailer with Enviolo hub

#### Only applies to pedelecs with this equipment

Only compatible bicycle trailers are approved for ENVILO hub gears.

#### KETTLER

KETTLER Quadriga child trailer.

#### BURLY

Trailer	Adapter
Minnow Bee	Item no. 960038
Honey Bee	
Encore	
solo	
Cub	
D'Lite	
Normad	
Flatbed	
Tail Wagon	

#### CROOZER

Trailer	Adapter
Croozor Kid	Item no. 122003516, XL: +10 mm Item no. 122003716 Item no. 12200715 Croozor axle nut adapter with Thule coupling
Croozor Kid Plus	
Croozor Cargo	
Croozor Dog	

#### THULE

Trailer	Adapter
Thule Chariot Lite	Item no. 20100798
Thule Chariot Cab	
Thule Chariot Cross	
Thule Chariot Sport	
Thule Coaster XT	



### 6.6.2.2 Approval for trailer with ROHLOFF hub

Only applies to pedelecs with this equipment

#### ROHLOFF Speedhub 500/14

As a basic rule, it is permitted to use a trailer in combination with the ROHLOFF SPEEDHUB 500/14.

There must be **no component contact** with the cover of the ROHLOFF E-14 gear shift unit caused by pressure or tension at any time during assembly or when riding with the trailer **under any circumstances**.

Collision causing possible damage to the ROHLOFF E-14 gear shift unit can be avoided with suitable washers or special axle adapters (spacers or polygon) from the coupling manufacturer concerned.

#### Speedhub with A-12



#### Risk of an accident

The A-12 attachment screw has a very low screw-in depth. The screw or the thread in the axle plate can be damaged or ripped out if a trailer hitch is fitted directly onto the axle or the A-12 attachment screw. This may cause an accident with injuries.

- ▶ Never fit a trailer hitch directly on the axle and the A-12 attachment screw to a ROHLOFF Speedhub with an A-12 axle system in a 12 mm quick release axle frame.

### 6.6.3 Pannier rack



Front and rear pannier racks are only permitted with the vehicle manufacturer's approval and only if they are approved for use on e-bikes.

The specialist dealer will advise on choosing a suitable pannier rack.

The specialist dealer must install the pannier rack the first time to ensure that it is safely fitted.

When installing a pannier rack, the specialist dealer makes sure that the fastening mechanism is suitable for the pedelec and that all components are installed and firmly fastened. They will also ensure that shift cables, brake cables, hydraulic lines and electrical cables are adjusted as necessary, the person riding has optimum freedom of movement and the pedelec's maximum permitted total weight is not exceeded.

The specialist dealer will provide instruction on how to handle the pedelec and the pannier rack.

### 6.6.4 Panniers and cargo boxes



Panniers and cargo boxes are permitted if they are approved for use on e-bikes.

- ▶ Pay attention when loading the pannier rack and ensure correct load distribution.
- ▶ The maximum permitted total weight must not be exceeded during use.
- ▶ Use a paint protection film when attaching panniers. This will reduce abrasion on paint and wear on components.

The following panniers and cargo boxes are recommended:

Description	Article number
Protective cover for electrical components	080-41000 ff
Panniers, system component	080-40946
Rear wheel basket, system component	051-20603
Bicycle box, system component*	080-40947

Table 49: Recommended panniers and cargo boxes

### 6.6.5 Front baskets



Take care with front baskets because their load distribution is not fixed. They are only permitted with the vehicle manufacturer's approval and only if they are approved for use on e-bikes.

### 6.6.6 Bar ends



Handlebar ends are permissible provided they are professionally fitted to face the front at a specialist shop and only if they are approved for use on e-bikes. They must not seriously alter load distribution.

### 6.6.7 Kickstands



Kickstands are permitted if they are able to bear the weight of the pedelec.

We recommend a parking stand into which either the front wheel or rear wheel can be inserted securely for pedelecs which do not have a kickstand.

### 6.6.8 Additional battery headlight



Fitting additional battery headlights is permitted provided they comply with the laws of the country where the pedelec will be ridden and if they are approved for use on e-bikes.

### 6.6.9 Mobile holder

A holder for SP Connect mobile case is fitted to the stem.

- ✓ Observe the operating instructions for the mobile and the SP Connect mobile case.
- ✓ Use on tarmacked roads only.
- ✓ Protect mobile from theft.
- ▶ To attach: insert the SP Connect mobile case in the holder and turn 90° to the right.
- ▶ To release: turn the SP Connect mobile case 90° to the left and remove.

### 6.6.10 Suspension fork coil spring

If the desired suspension fork sag cannot be achieved after adjustment, the coil spring assembly must be replaced with a softer or harder spring.

- ▶ Fit a softer coil spring assembly group to increase the sag.
- ▶ Fit a harder coil spring assembly group to decrease the sag.

### 6.6.11 Fixed weather protection systems



Fixed weather protection systems are only permitted with the vehicle manufacturer's approval.

## 6.7 Personal protective equipment and accessories for road safety

Seeing and being seen is crucial in road traffic. The following requirements must be met for riding a pedelec safely on public roads.

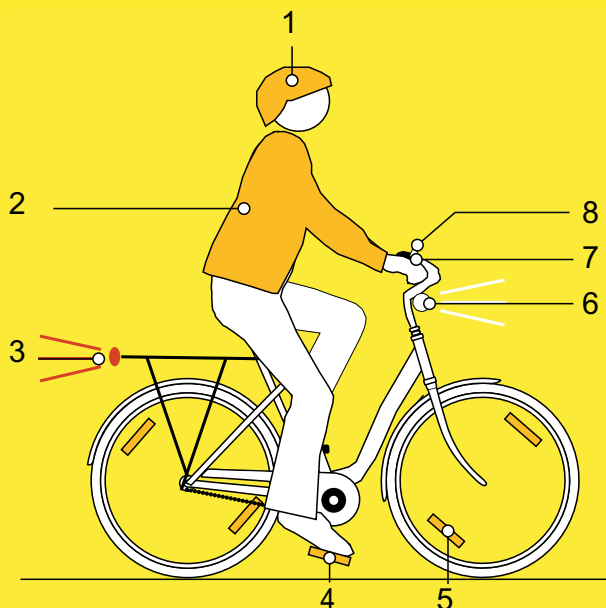


Figure 133: Road safety

- 1 The helmet must have a reflective strip or a light in a clearly visible colour.
- 2 **Cycle clothing** is essential at all times of year. Clothing should be retroreflective or as light as possible. Fluorescent materials are also suitable. High-visibility jackets and straps on your upper body ensure even greater safety. Never wear a skirt. Always wear trousers which reach down to your ankles instead.
- 3 The **large red reflector** with a “Z” registration mark and the **red rear light** must be clean. The rear light is attached high enough so that cars can see it (minimum height 25 cm). The rear light must work.
- 4 The two **reflectors on the two non-slip pedals** must be clean.
- 5 The **yellow spoke reflectors** on both wheel or the **white, fluorescent surface** on both wheels must be clean.
- 6 The **white front light** must work and must be positioned so that it does not dazzle other road users. The white front light and the **white reflector** must be clean at all times.

- 7 The **two separate brakes** on the pedelec must work at all times.
- 8 The **clear sounding bell** must be fitted and must work.

## 6.8 Before each ride

- ▶ Check pedelec before each ride; see Section [7.1](#).

Check list before each ride		
<input type="checkbox"/>	Check everything is sufficiently clean.	See Section <a href="#">7.2</a>
<input type="checkbox"/>	Check guards.	See Section <a href="#">7.1.1</a>
<input type="checkbox"/>	Check battery to ensure it is firmly in place.	See Section <a href="#">6.16.2</a>
<input type="checkbox"/>	Check lights.	See Section <a href="#">7.1.13</a>
<input type="checkbox"/>	Check brake.	See Section <a href="#">7.1.14</a>
<input type="checkbox"/>	Check suspension seat post.	See Section <a href="#">7.1.9</a>
<input type="checkbox"/>	Check pannier rack.	See Section <a href="#">7.1.5</a>
<input type="checkbox"/>	Check bell.	See Section <a href="#">7.1.10</a>
<input type="checkbox"/>	Check handles.	See Section <a href="#">7.1.11</a>
<input type="checkbox"/>	Check rear frame damper.	See Section <a href="#">7.1.4</a>
<input type="checkbox"/>	Check frame.	See Section <a href="#">7.1.2</a>
<input type="checkbox"/>	Check wheel concentricity.	See Section <a href="#">7.1.7</a>
<input type="checkbox"/>	Check quick releases.	See Section <a href="#">7.1.8</a>
<input type="checkbox"/>	Check mudguards.	See Section <a href="#">7.1.6</a>
<input type="checkbox"/>	Check USB cover.	See Section <a href="#">7.1.12</a>

- ▶ Be alert to any unusual noises, vibrations or odours while riding. Be alert to any unusual operating sensations when braking, pedalling or steering. This indicates material fatigue.
- ⇒ Take pedelec out of service if there are any deviations from the “Before each ride” checklist or any unusual behaviour. Contact specialist dealer.

## 6.9 Straightening the quickly adjustable stem

Only applies to pedelecs with this equipment

- 1 Open stem clamping lever.



Figure 134: Example of All Up with open stem clamping lever

- 2 Pull handlebars into the highest possible position.

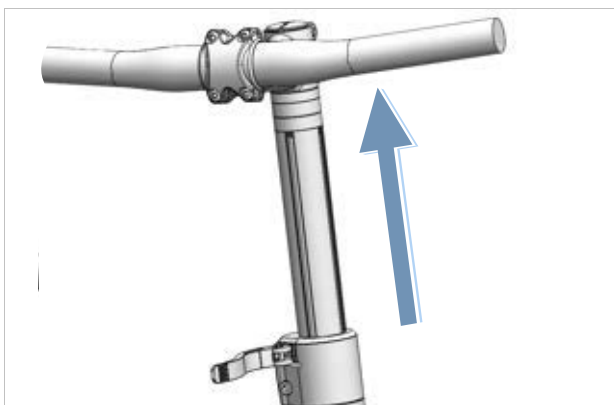


Figure 135: Example of All Up pulled into highest possible position

- 3 Turn handlebars 90° anti-clockwise so that they are straight.

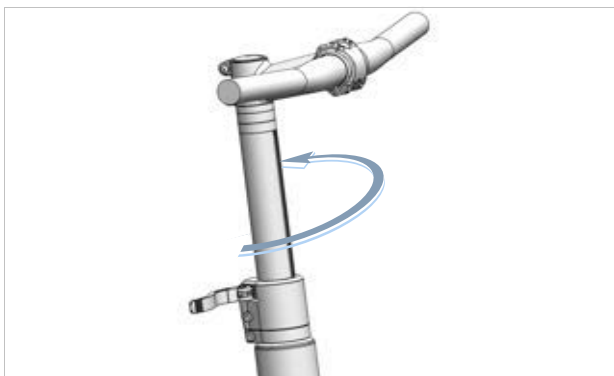


Figure 136: Example of All Up in straight position

- 4 Place handlebars at required height.
- 5 Close stem clamping lever.

## 6.10 Using the pannier rack



### Crash caused by loaded pannier rack

The pedelec is handled differently with a loaded *pannier rack*, in particular when the rider needs to steer and brake. This can lead to a loss of control. This may cause a crash with injuries.

- ▶ You should practice how to use a loaded *pannier rack* safely before using the pedelec in public spaces.

### Crushing the fingers in the spring flap

The spring flap on the *pannier rack* operates with a high clamping force. There is a risk of crushing the fingers.

- ▶ Never allow the spring flap to snap shut in an uncontrolled manner.
- ▶ Be careful where you position your fingers when closing the spring flap.

### Crash caused by unsecured baggage

Loose or unsecured objects on the *pannier rack*, e.g. belts, may become caught in the rear wheel. This may cause a crash with injuries.

Objects which are fastened to the *pannier rack* may cover the *reflectors* and the *riding light*. Other users may not see the pedelec on public roads as a result. This may cause a crash with injuries.

- ▶ Secure any objects which are attached to the *pannier rack* sufficiently.
- ▶ Objects fastened to the *pannier rack* must never cover the *reflectors*, the *headlight* or the *rear light*.
- ▶ Distribute the baggage as evenly as possible between the left- and right-hand side.
- ▶ We recommend the use of panniers and baggage baskets.

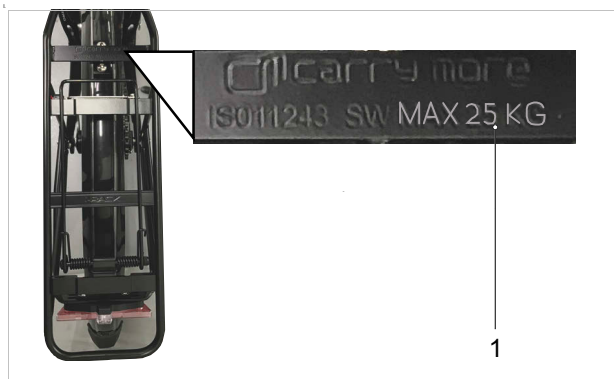


Figure 137: The maximum load bearing capacity is indicated on the pannier rack

- ▶ Pack the pedelec to its *maximum permitted total weight* (PTW) only.
- ▶ Pack the pedelec to the pannier rack's maximum load capacity only.
- ▶ Use the original pannier rack only.

## 6.11 Raising the kickstand

- ▶ Use your foot to raise kickstand completely before setting off.

## 6.12 Using the saddle

- ▶ Do not wear studded jeans as these can damage the saddle covering.
- ▶ Wear dark clothes for your first few rides as new leather saddles can stain clothing.

Riders often experience pain in the sitting bones, especially beginners or at the start of the season, after a longer break. The periosteum around the sitting bones is irritated as it is unaccustomed to the chafing. To reduce chafing:

- ▶ Wear cycling shorts with shock-absorbing seat padding.
  - ▶ Use a chamois cream or ointment.
- ⇒ The sensation of pain is reduced after five to six rides, although it may increase again after two to three weeks of riding.

### 6.12.1 Using the leather saddle

Sunlight and UV light tarnish the colour and cause the leather to dry out and fade.

- ▶ Park pedelec in the shade.
- ▶ Always use a saddle cover.

Moisture may cause the leather to detach from material beneath and mould may form.

- ▶ If the leather saddle gets wet, dry saddle completely.
- ▶ Always use a saddle cover.

### 6.13 Using the pedals

- ▶ The ball of the foot is placed on the pedal when riding and pedalling.

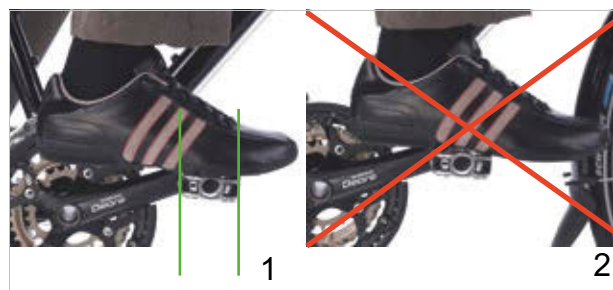


Figure 138: Correct (1) and incorrect (2) foot position on the pedal

## 6.14 Setting the saddle height with the remote control

Only applies to pedelecs with this equipment

### 6.14.1 Lowering the saddle

- 1 Sit on the saddle.
- 2 Press the remote control operating lever.
  - ⇒ The seat post will lower.
- 3 Release the remote control operating lever when you have reached the desired height.

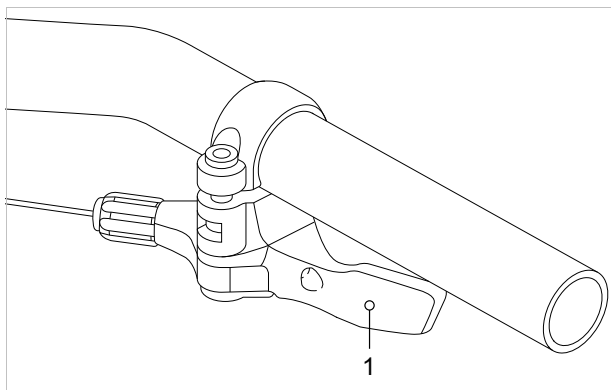


Figure 139: Remote control operating lever (1)

### 6.14.2 Raising the saddle

- 1 Remove any pressure from the saddle.
- 2 Press the remote control operating lever.
  - ⇒ The seat post will rise.
- 3 Release the remote control operating lever when you have reached the desired height.

## 6.15 Using the bell

- 1 Press the bell button downwards.
- 2 Let button spring back.

## 6.16 Using the handlebars

- ▶ Wear heavily padded cycling gloves.
  - ⇒ This helps protect sensitive areas of your palms.
- ▶ Vary your grip position continuously while riding.
  - ⇒ This prevents overstraining and fatigue in your hands.

### 6.16.1 Using multi-position handlebars

Only applies to pedelecs with this equipment

Multi-position handlebars are ideal for dynamic riding. The contoured ends of the handlebars, also known as horn handlebars, provide a variety of grip options. Changing muscle groups reduces strain on the hands, arms and back during longer rides.

- ▶ Vary your grip position continuously while riding.
  - ⇒ This prevents overstraining and fatigue in your hands.

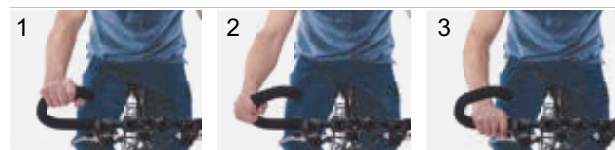


Figure 140: Grip positions on the multi-position handlebars

#### Grip position 1

The top grip position is suitable for riding slowly.

- ▶ Straighten your upper body without tensioning in this position.

#### Grip position 2 and 3

The middle and bottom grip position is suitable for fast rides and riding on inclines.

- ▶ In the middle position, hold the arm and wrist upright and relax tension.
- ▶ In the bottom position, place your upper body slightly lower. Keep your fingers close to the brake handle ready for use.

## 6.16.2 Using bar ends

### Only applies to pedelecs with this equipment

Bar ends can be added to normal handlebars.

Adjustable bar ends feature a ball joint which you can use to choose the optimum position as required.

- ▶ Adjust bar ends correctly. To do so, your hand, elbow and shoulder must be in line with one another when the hand takes hold of the bar ends.
  - ▶ During the ride, keep varying your grip position between a flat (1) and upright (2) hand position.
- ⇒ This prevents overstraining, fatigue and numbness in your hands and fingers.



Figure 141: Grip positions on a bar end

## 6.16.3 Using leather handles

### Only applies to pedelecs with this equipment

Sweat and grease from the skin are two of the greatest enemies of leather. They penetrate the surface of leather and cause it to disintegrate more quickly, meaning the leather can soften and abrade.

- ▶ Wear gloves.

Sunlight and UV light damage the colour and can cause the leather to dry out and fade.

- ▶ Park pedelec in the shade.

Moisture may cause the leather to detach from material beneath and mould may form.

- ▶ If the leather handles get wet, dry handles completely.



## 6.17 Using the battery

- ✓ Switching off the electric drive system (see Section 6.13.2).

### 6.17.1 Using the integrated battery

Only applies to pedelecs with this equipment

#### 6.17.1.1 Removing the integrated battery

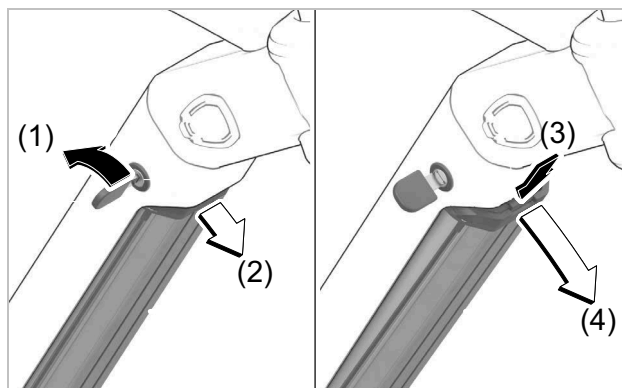


Figure 142: Removing the integrated battery

- 1 Open battery lock with battery key (1).
  - ⇒ The battery is released and falls into the retainer guard (2).
- 2 Hold the battery in your hand from below. Use the other hand to push on the retainer guard from above (3).
  - ⇒ The battery is released and falls into the hand (4).
- 3 Remove the battery from the frame.
- 4 Remove the battery key from the battery lock.

#### 6.17.1.2 Inserting the integrated battery

- ✓ The key is inserted in the lock.
- ✓ The lock is unlocked.

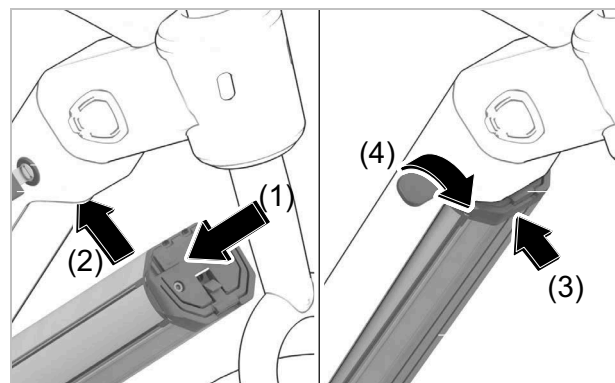


Figure 143: Inserting the integrated battery

- 1 Place the battery into the lower mount with the contacts facing the front (1).
- 2 Flip the battery upwards so that the battery is held by the retainer guard (2).
- 3 Keep the lock open with the key.
- 4 Push the battery upwards (3).
  - ⇒ The battery can be heard locking into place.
- 5 Check battery to ensure it is firmly in place on all sides.
- 6 Lock the battery with the battery key; otherwise, the battery may fall out of the mount when you open the see (4).
- 7 Remove the battery key from the battery lock.
- 8 Check the battery to ensure it is firmly in place before each ride.



## 6.17.2 Frame battery

Only applies to pedelecs with this equipment

### 6.17.2.1 Removing the frame battery

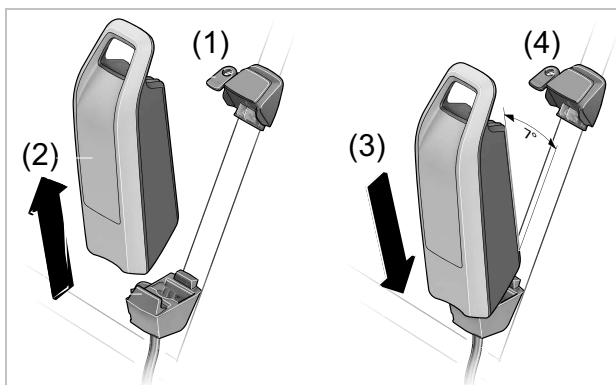


Figure 144: Removing and inserting the frame battery

- 1 Open battery lock with battery key (1).
- 2 Tip the battery out of the top section of the frame battery mount.
- 3 Pull from the frame battery mount (2).

### 6.17.2.2 Inserting the frame battery

- 1 Place the battery on the contacts in the lower section of the frame battery mount (3).
  - 2 Remove the battery key from the battery lock (4).
  - 3 Tip the battery into the top section of the frame battery mount until it will go no further.
- ⇒ There is an audible clicking noise.
- 4 Check the battery to make sure it is firmly in place.

## 6.17.3 Charging the battery

The battery can remain on the pedelec or can be removed for charging. Interrupting the charging process does not damage the battery. The battery is fitted with a temperature monitoring system which only allows charging within a temperature range between 0 °C and 40 °C.

- ✓ The ambient temperature during the charging process lies within the range between 0 °C to 40 °C.

- 1 Remove the cable connection cover if necessary.
- 2 Connect the mains plug of the charger to a normal domestic, grounded socket.

Connection data

230 V, 50 Hz

### Notice

- ▶ Check that mains voltage! The power source voltage must match the voltage indicated on the charger nameplate. Chargers labelled 230 V may be operated at 220 V.

- 3 Connect the charging cable to the battery's charging port.

- ⇒ The charging process starts automatically.
- ⇒ The battery level indicator shows the battery level during charging. When the drive system is switched on, the *on-board computer* displays the charging process.

### Notice

If an error occurs during the charging process, a system message is displayed.

- ▶ Remove the charger and battery from operation immediately and follow the instructions.

- ⇒ Charging is complete when the LEDs on the battery level indicator go out.
- 4 Once charging is complete, disconnect the battery from the charger.
  - 5 Disconnect the charger from the mains.

## 6.18 Using the electric drive system

### 6.18.1 Switching on the electric drive system



#### Crash caused by lack of readiness for braking

When it is switched on, the drive system can be activated by applying force to the pedals. There is a risk of a crash if the drive is activated unintentionally and the brake is not reached.

- ▶ Never start the electric drive system, or switch it off immediately, if the brake cannot be reached safely and reliably.

- ✓ A sufficiently charged battery has been inserted into the pedelec.
- ✓ The battery is firmly positioned and locked. The battery key has been removed.
- ✓ The speed sensor is connected correctly.

There are two options for switching on the drive system.

#### On-Off button (on-board computer)

- ▶ Press the **On-Off button (on-board computer)** briefly (< 3 seconds).

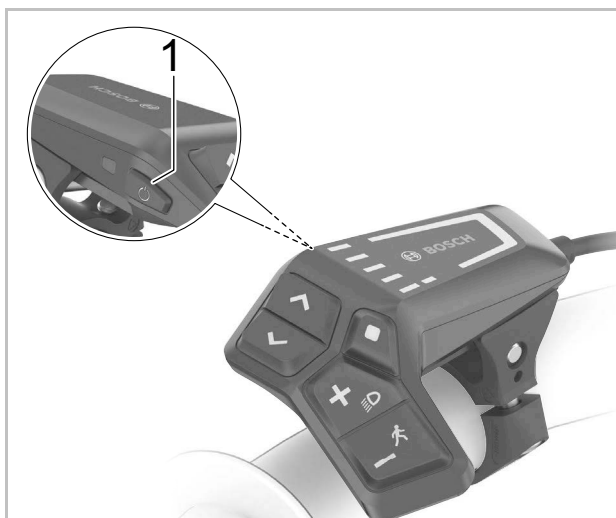


Figure 145: Position of the On-Off button on the BOSCH LED Remote

#### On-Off button (battery)

- ▶ Press the **On-Off button (battery)** briefly.
- ⇒ All LEDs on the on-board computer will light up briefly.
- ⇒ The battery level is displayed in colour by the battery level indicator (on-board computer) and the configured level of assistance by the indicator for the selected level of assistance. The pedelec is ready to ride.
- ⇒ If the battery capacity is less than 5%, the battery level indicator will remain dark. Only the on-board computer indicates whether the drive system is switched on or not.

If the drive system is switched on, the drive is activated as soon as the pedals are moved with sufficient force (except if the selected level of assistance is "OFF"). The motor power is based on the level of assistance selected on the on-board computer.

### 6.18.2 Switching off the electric drive system

As soon as the rider stops pushing the pedals in normal mode or reaches a speed of 25 km/h, the drive system switches off the assistance system. The assistance system starts up again when you push the pedals and your speed is less than 25 km/h.

The system switches off automatically ten minutes after the last command.

There are two options for switching off the drive system manually.

#### On-Off button (on-board computer)

- ▶ Press the **On-Off button (on-board computer)** briefly (< 3 seconds).

#### On-Off button (battery)

- ▶ Press the **On-Off button (battery)**.
- ⇒ The battery level indicator (on-board computer) and the indicator for the selected level of assistance go out.
- ⇒ The pedelec is switched off.

## 6.19 Using the on-board computer

### Notice

- ▶ Never use on-board computer, the display or the display mount as a handle. If the on-board computer, display or display mount are used to lift the pedelec, components can become irreparably damaged.

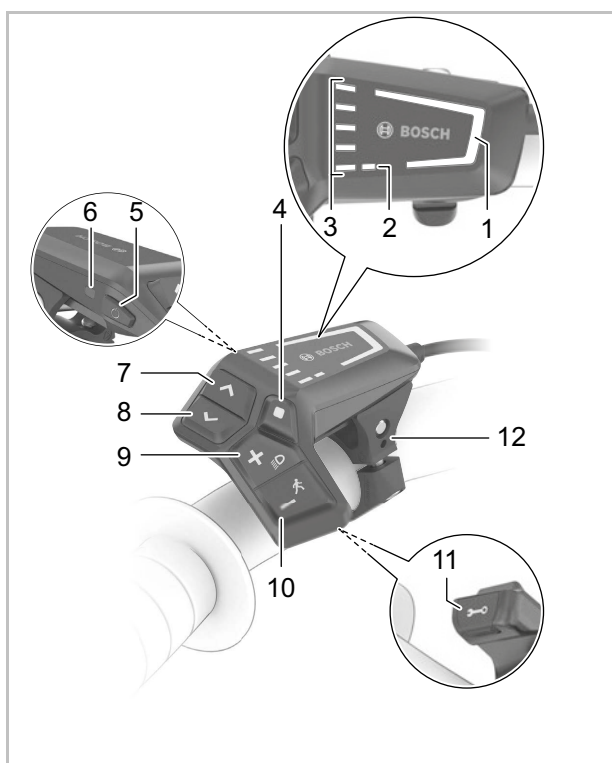


Figure 146: Overview of BOSCH LED Remote on-board computer

	Symbol	Designation
1		Selected level of assistance indicator
2		ABS indicator (optional)
3		Battery level indicator (control panel)
4	■	Select button
5	⏻	On-Off button (control panel)
6		Ambient light sensor

Table 50: Overview of control panel

	Symbol	Designation
7	>	Increase brightness button/ forward button
8	<	Decrease brightness button/ back button
9	+	Plus button/ light button
10	-	Minus button/ push assist button
11		Diagnosis connection (for maintenance purposes only)
12		Mount

Table 50: Overview of control panel

### 6.19.1 Using the diagnosis port

#### Notice

A USB connection is not a waterproof plug connection. Any moisture penetrating through the USB port may trigger a short circuit in the control panel.

- ▶ Never connect an external device.
- ▶ Regularly check the position of the rubber cover on the USB port and adjust it as necessary.

The diagnosis connection is only designed for maintenance purposes and is not suitable for connecting external devices.

- ▶ Keep the diagnosis port flap closed at all times to ensure no dust or moisture can penetrate through the port.

### 6.19.2 Charging the control panel battery

If both the charge level in the battery and the control panel's internal battery are low, the battery can be charged via the diagnosis port. M

- ▶ Connect the internal battery to a power bank or another suitable power source with a USB type C® cable. (charge voltage: 5 V; charging current: max. 600 mA).

### 6.19.3 Using the riding light

- ✓ The drive system needs to be already switched on to turn on the *riding light*.



Figure 147: Position of riding light button (1)

- ▶ Press the **light button** for more than 1 second.
- ⇒ The front light and rear light are both switched on (*riding light symbol* is displayed) and switched off (*Riding light symbol* is switched off) at the same time.

### 6.19.4 Setting the brightness of indicators

The ambient light sensor regulates the indicator brightness.

- ✓ The ambient light sensor must be clean and must not be covered.

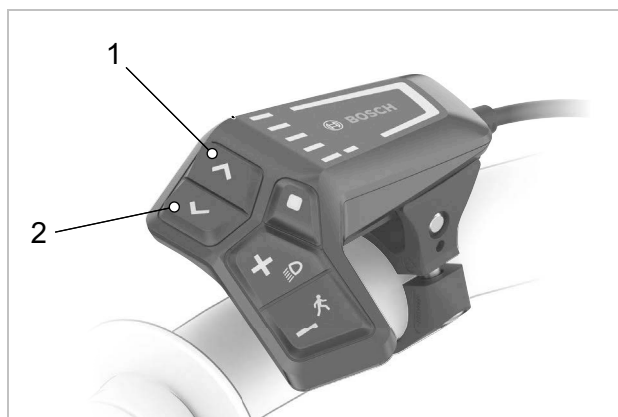


Figure 148: Position of increase brightness button (2) and decrease brightness button (1)

- ▶ Press the **increase brightness button** and **decrease brightness button** to set the brightness of the indicator LEDs.

### 6.19.5 Using the push assist system



#### Injury from pedals or wheels

The pedals and the drive wheel turn when the push assist system is used. There is a risk of injury if the pedelec wheels are not in contact with the ground when the push assist system is used (e.g. when carrying the pedelec up stairs or when placing it on a bicycle rack).

- ▶ Only use the push assist mode when pushing the pedelec.
- ▶ You must steer the pedelec securely with both hands when using push assist.
- ▶ Allow for enough freedom of movement for the pedals.

The push assist helps move the pedelec. The push assist system speed depends on the selected gear. The lower the selected gear is, the lower the speed in the push assist function is (at full power). The maximum speed is 6 km/h.

- ✓ We recommend using first gear for cycling uphill to protect the drive.



Figure 149: Position of push assist button (1)

- 1 Press **Push assist button** for longer than 1 seconds. Hold down the button.
  - ⇒ The battery level indicator goes out and a white running light in the direction of travel indicates push assist is ready.
- 2 One of the following actions must be taken within the next 10 seconds:
  - ▶ Push pedelec forwards.
  - ▶ Push pedelec backwards.
  - ▶ Make a weaving movement with the pedelec.
  - ⇒ The push assist is activated. The continuous white bars change colour to ice blue.
  - ⇒ The motor starts to push.
- 3 Release **push assist button** on the control panel to switch off push assist.
- 4 Push the **push assist button** within 10 seconds to reactivate motor assistance.
- 5 If motor assistance deactivates within 10 seconds, the push assist function switches off automatically.

Push assist will also switch off automatically if

- the rear wheel blocks
- speed bumps cannot be ridden over
- a part of the body is blocking the bicycle crank
- an obstacle turns the crank further
- the rider pedals
- the **plus button** or **On-Off button** is pressed.

The push assist mode of operation is subject to country-specific regulations and may therefore differ from the above description or may be deactivated.

### 6.19.6 Selecting the level of assistance

The control panel is used to set how much the electric drive should assist the rider when pedalling. You can change the level of assistance at any time while you are cycling.



Figure 150: Position of plus and minus buttons

- ▶ Press the **plus button** (2) on the control panel to increase the level of assistance.
- ▶ Press the **minus button** (1) on the control panel to reduce the level of assistance.
- ⇒ The motor power used is displayed in colour in the level of assistance indicator.

If the system is switched off, the level of assistance last displayed is saved.

## 6.20 Brake

### WARNING

#### Crash caused by brake failure

Oil or lubricant on the brake disc in a disc brake or on the rim of a rim brake can cause the brake to fail completely. This may cause a crash with serious injuries.

- ▶ Never allow oil or lubricant to come into contact with the brake disc or brake linings or on the rim of a rim brake.
- ▶ If the brake linings have come into contact with oil or lubricant, contact specialist dealer to have the components cleaned or replaced.

If the brakes are applied continuously for a long time (e.g. while riding downhill for a long time), the fluid in the brake system may heat up. This may create a vapour bubble. This will cause air bubbles or water contained in the brake system to expand. This may suddenly make the lever travel wider. This may cause a crash with serious injuries.

- ▶ Release the brake regularly when riding downhill for a longer period of time.
- ▶ Use the front and rear wheel brakes alternately.

The motor drive force is shut off during the ride as soon as the rider no longer is no longer pedalling. The drive system does not switch off when braking.

- ▶ In order to achieve optimum braking results, do not pedal while braking.

### 6.20.1 Using the brake lever

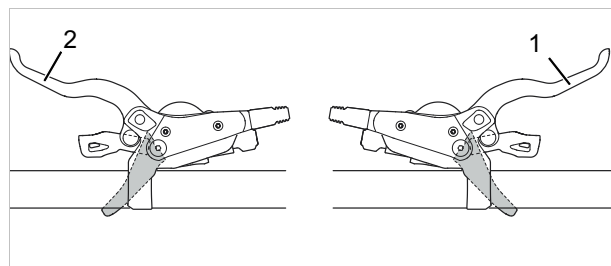


Figure 151: Front (2) and rear (1) brake lever – Shimano brake used as an example

- ▶ Push the left *brake lever* to apply the front wheel brake.
- ▶ Pull the right-hand brake lever to apply the rear wheel brake.

## 6.21 Gear shift

The selection of the appropriate gear is a prerequisite for a physically comfortable ride and making sure that the electric drive system functions properly. The ideal pedalling frequency is between 70 and 80 revolutions per minute.

- ▶ Stop pedalling briefly when changing gears. This makes it easier to switch gears and reduces wear on the drivetrain. However, keep the crank moving while switching gears.

### 6.21.1 Using the derailleur gears

#### Only applies to pedelecs with this equipment

The speed and range can be increased while applying the same force if you select the right gear.

- ✓ Stop pedalling briefly when changing gears. This makes it easier to switch gears and reduces wear on the drivetrain. However, keep the crank moving while switching gears.

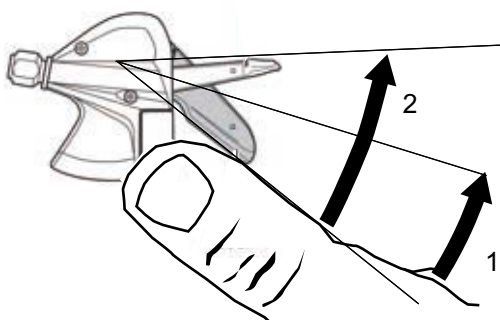


Figure 152: Switching gears with lever A, using gear shift SL-M315 as an example

Lever A switches from a smaller sprocket to a larger one. The number of pinions switched depends on the selected position of lever A.

- ▶ Place shifter A in position 1.
- ⇒ System shifts one sprocket higher.
- ▶ Place shifter A in position 2.
- ⇒ System shifts two pinions higher.

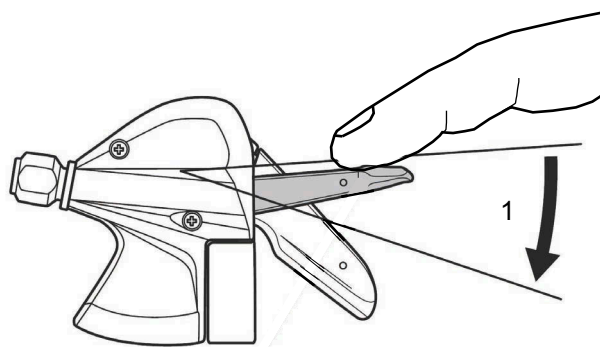


Figure 153: Switching gears with lever B, using gear shift SL-M315 as an example

Lever B switches from a larger sprocket to a smaller one.

- ▶ Place shifter B in position 1.
- ⇒ System shifts one sprocket lower.

#### Switching gears

- ▶ Select the appropriate gear with the gear shift unit.
- ⇒ The gear shift switches the gear.
- ⇒ The shifter returns to its original position.
- ▶ Clean and lubricate the rear derailleur if gear changes block.



## 6.22 Use suspension and damping

### 6.22.1 Locking the suspension

A suspension system is designed to cushion and compensate for unevenness on a surface whether the user is riding on bumpy cycle paths, dirt roads or off road.

A suspension system absorbs a great deal of motor and muscle power during rides uphill or on optimally tarmacked roads. This increases energy consumption and reduces propulsion. It is thus a good idea to lock the suspension on tarmacked roads and when riding uphill.

Some suspension forks thus feature a lockout on the crown or a remote lockout activated on the handlebars.

	Mode	Use
1	OPEN	Setting off
2	Middle position	Uneven terrain
3	LOCK	Uphill, tarmacked roads

#### 6.22.1.1 Locking the SR SUNTOUR suspension fork

LORC-PCS LORC	LOR	LO	HLO	NLO
				

Table 51: Lockout on the crown on SR Suntour suspension forks

▶ Turn lockout (1) on the crown clockwise to LOCK.

⇒ The suspension fork is blocked.

▶ Turn lockout (1) on the crown anticlockwise to OPEN.

⇒ The suspension fork is open.

RL22-DUAL-L-2C-22	RL22-SINGLE-L-2C-22	RL22-SINGLE-U-2C-22 RL22-SINGLE-U-2C-32	SL9SC-RLO	
				

Table 52: SR Suntour suspension fork lockout on the handlebars

▶ Press locking lever (1) on the handlebars.

⇒ The suspension fork is blocked.

▶ Press release lever (2) on the handlebars.

⇒ The suspension fork is open.



## 6.22.2 Adjusting the suspension fork compression damper

The compression damper allows the rider to make quick adjustments to the suspension behaviour of the suspension fork to adapt to changes in terrain. It is intended for adjustments made during the ride.

It is a good idea to use the compression damper on

- bumpy sections
- marked shifts of weight at crossings and during cornering and braking.

When placed at an optimum setting, the suspension fork counteracts deflection on hilly terrain, remains higher in its deflection range and helps maintain speed when riding on terrain hilly sections.

The suspension fork also deflects quickly and unhindered when hitting bumps and cushions the bump when placed at an optimum setting. Traction is retained (blue line). The fork responds quickly to the bump. The headset and handlebars rise slightly when absorbing a bump (green line).

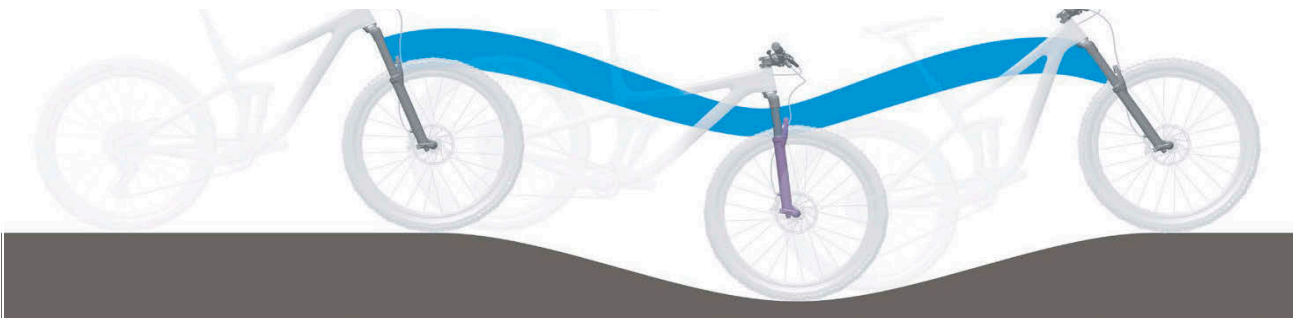


Figure 154: Optimum ride performance on hilly terrain

### Compression damper set to hard

- Causes the suspension fork to move higher within the deflection range. This makes it easier for the rider to improve efficiency and maintain momentum over uniformly hilly terrain and around bends.
- Deflection feels somewhat harder on bumpy terrain.

### Compression damper set to soft

- Causes the suspension fork to deflect quickly and easily. This makes it easier to maintain speed and momentum when riding on bumpy terrain.
- Deflection may feel somewhat less hard on more rugged terrain.



### 6.22.2.1 Using SR Suntour high-speed compression damping

A high speed is generated in the suspension fork, e.g. on a mogul slope or during landing after a jump.

The settings on the high-speed damper control the suspension behaviour of the fork during

- stronger impacts
- small, rapid impacts (e.g. stairs or mogul slopes)
- landings after quick, successive jumps.

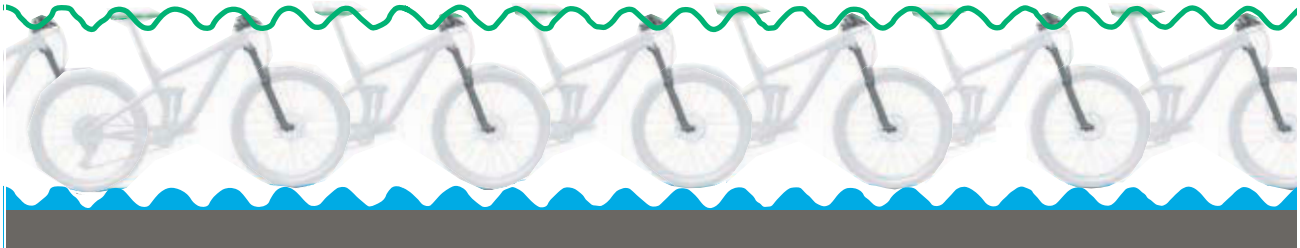


Figure 155: High-speed movements



Table 53: High-speed lever (1) on the crown on the SR Suntour suspension fork

- ▶ Turn **high-speed lever (1)** on the crown clockwise gradually.
  - ⇒ The high-speed compression damper is placed in a harder setting.
- ▶ Gradually turn **high-speed lever (1)** on the crown anticlockwise.
  - ⇒ The high-speed compression damper is placed in a softer setting.

### 6.22.2.2 Using the SR Suntour low-speed compression damping

Low-speed movement in the suspension fork is caused, for example, by riding over bumps.

The settings on the high-speed damper control the suspension behaviour of the fork

- during staggered jumps
- during shifts in the rider's weight
- when force is applied slowly.



Figure 156: Low-speed movements

R2C2-PCS R2C2 RC2 RC2-PCS	RC-PCS RC	RLRC-PCS RLRC	LORC-PCS LORC

Table 54: Low-speed lever (1) on the fork crown on the SR Suntour suspension fork

► Gradually turn **low-speed lever (1)** on the crown clockwise.

⇒ The low-speed compression damper is placed in a harder setting.

► Gradually turn **low-speed lever (1)** on the crown anticlockwise.

⇒ The low-speed compression damper is placed in a softer setting.

### 6.22.2.3 Adjusting the RockShox compression adjuster

► Turn **compression adjuster** clockwise.

⇒ The damping and compression hardness is increased, and the deflection stroke speed is reduced. Efficiency on hilly and flat terrain is improved.



Figure 157: Changing compression adjuster to a harder setting

► Turn **compression adjuster** anti-clockwise.

⇒ The damping and compression hardness is reduced and the deflection stroke speed is increased. Sensitivity to small bumps is increased.



Figure 158: Changing compression adjuster to a softer setting

## 6.23 Parking the pedelec

### Notice

Heat or direct sunlight can cause the *tyre pressure* to increase above the permitted maximum pressure. This can destroy the *tyres*.

- ▶ Never park the pedelec in the sun.
- ▶ On hot days, regularly check the *tyre pressure* and adjust it as necessary.

Moisture penetrating at low temperatures may impair individual functions due to the open structural design.

- ▶ Always keep the pedelec dry and free from frost.
- ▶ If the pedelec is to be used at temperatures below 3 °C, the specialist dealer must carry out an inspection and prepare it for winter use.

The pedelec's force of weight may cause the kickstand to sink into soft ground, possibly causing the pedelec to topple over as a result.

- ▶ Park the pedelec on firm, level ground only.

- 1 Switch off the drive system.
- 2 After getting off, use your foot to lower the kickstand completely before parking. Ensure that it is stable.
- 3 Park the pedelec carefully and check that it is stable.
- 4 Clean the suspension fork and pedals.
- 5 Protect the saddle with a saddle cover if you park the pedelec outside.
- 6 Secure the pedelec with a bicycle lock.
- 7 Remove the battery (see Section [6.17.2.1](#) or [6.17.1.1](#)) and, if applicable, your mobile to ensure protection against theft.
- 8 Clean and service pedelec after every ride; see Section [7.2](#).

### Checklist after each ride

Cleaning		
<input type="checkbox"/>	Lights and reflectors	See Section <a href="#">7.2.5</a>
<input type="checkbox"/>	Brake	See Section <a href="#">7.2.5</a>
<input type="checkbox"/>	Suspension fork	See Section <a href="#">7.2.1</a>
<input type="checkbox"/>	Suspension seat post	See Section <a href="#">7.2.6</a>
<input type="checkbox"/>	Rear frame damper	See Section <a href="#">7.2.7</a>
<input type="checkbox"/>	Pedal	See Section <a href="#">7.2.4</a>
Care		
<input type="checkbox"/>	Suspension fork	See Section <a href="#">3</a>

### 6.23.1 Screwing in the quickly adjustable stem

#### Only applies to pedelecs with this equipment

Screw in the quickly adjustable stem to save space when parking.

- 1 Open stem clamping lever.

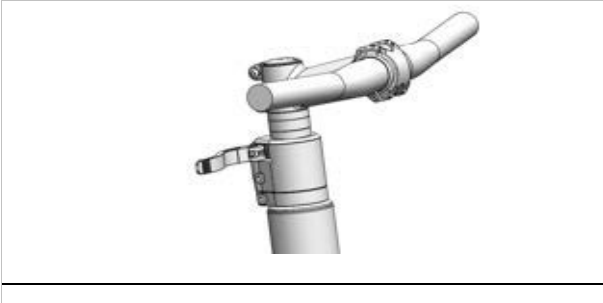


Figure 159: Example of All Up with open stem clamping lever

- 2 Pull handlebars into highest possible position.

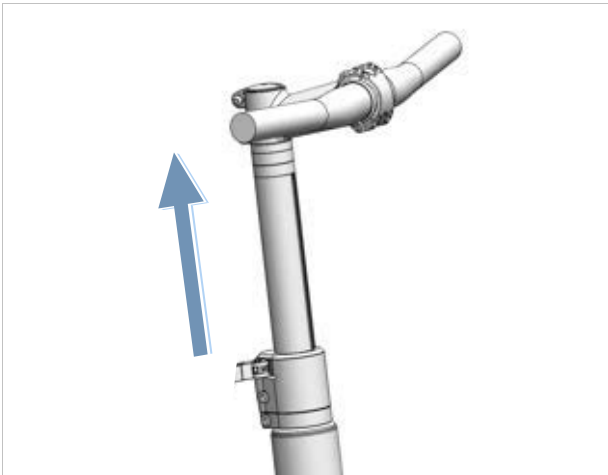


Figure 160: Example of All Up pulled into highest possible position

- 3 Turn handlebars 90° in a clockwise direction.

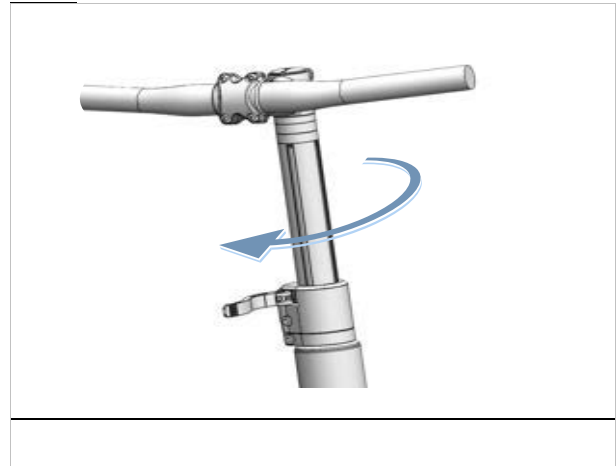


Figure 161: Example of All Up screwed in

- 4 Place handlebars at required height.
- 5 Close stem clamping lever.

## 6.23.2 Activating the lock function

### Only applies to pedelecs with this equipment

- ▶ Remove the on-board computer used during set-up.
- ⇒ The lock function is activated. The drive system now provides no assistance. However, the rider can continue to use the pedelec without assistance.
- ⇒ The drive unit will emit a lock sound (an audible signal) as long as the drive system is switched on.
- ⇒ The lock function status is displayed with a lock icon on the on-board computer for around 3 seconds.

## 7 Cleaning, maintenance and inspection

► Clean, maintain and inspect pedelec as indicated on checklists.

Complying with these cleaning instructions can increase operational reliability, reduce wear on components, extend the service life of components and ensure safety.

Checklist: Before each ride		
<input type="checkbox"/>	Check everything is sufficiently clean	See Section 7.2
<input type="checkbox"/>	Check guards	See Section 7.1.1
<input type="checkbox"/>	Check battery to ensure it is firmly in place	
<input type="checkbox"/>	Check lights	See Section 7.1.13
<input type="checkbox"/>	Check brake	See Section 7.1.14
<input type="checkbox"/>	Check suspension seat post	See Section 7.1.9
<input type="checkbox"/>	Check pannier rack	See Section 7.1.5
<input type="checkbox"/>	Check bell	See Section 7.1.10
<input type="checkbox"/>	Check handles	See Section 7.1.11
<input type="checkbox"/>	Check rear frame damper	See Section 7.1.4
<input type="checkbox"/>	Check wheel concentricity	See Section 7.1.7
<input type="checkbox"/>	Check frame	See Section 7.1.2
<input type="checkbox"/>	Check quick releases	See Section 7.1.8
<input type="checkbox"/>	Check guards	See Section 7.1.6
<input type="checkbox"/>	Check USB cover	See Section 7.1.12
Checklist: After each ride		
<input type="checkbox"/>	Clean lights	See Section 7.2.1
<input type="checkbox"/>	Clean reflectors	See Section 7.2.1
<input type="checkbox"/>	Clean brake	See Section 7.2.5
<input type="checkbox"/>	Clean suspension fork	See Section 7.2.2
<input type="checkbox"/>	Maintain suspension fork	See Section 3
<input type="checkbox"/>	Clean suspension seat post	See Section 7.2.6
<input type="checkbox"/>	Clean rear frame damper	See Section 7.2.7
<input type="checkbox"/>	Clean the pedals	See Section 7.2.4

Checklist: weekly tasks		
	Clean chain	See Section 7.3.19
	City, folding, cargo and children's bikes and bicycles for young adults	<b>When dry:</b> every 10 days <b>In wet conditions:</b> every 2–6 days
<input type="checkbox"/>	Trekking and racing bikes	<b>When dry:</b> every 140... 200 km <b>In wet conditions:</b> every 100 km
	Mountain bikes	<b>When dry:</b> every 60... 100 km <b>In wet conditions:</b> after every ride
<input type="checkbox"/>	Belt (every 250–300 km)	See Section 7.3.18
	Servicing the chain	See Section 7.4.16 and 7.4.16.1
	City, folding, cargo and children's bikes and bicycles for young adults	<b>When dry:</b> every 10 days <b>In wet conditions:</b> every 2... 6 days
<input type="checkbox"/>	Trekking and racing bikes	<b>When dry:</b> every 140... 200 km <b>In wet conditions:</b> every 100 km
	Mountain bikes	<b>When dry:</b> every 60... 100 km <b>In wet conditions:</b> maintain all the time
<input type="checkbox"/>	Maintain all-round chain guard.	See Section 7.4.16.1
<input type="checkbox"/>	Check tyre pressure (at least once a week)	See Section 7.5.1.1
<input type="checkbox"/>	Check tyres (every 10 days)	See Section 7.5.1.2
<input type="checkbox"/>	Eightpins seat post Refill oil (every 20 hours)	See Section 7.4.19



Checklist: monthly tasks		
<input type="checkbox"/>	Cleaning the battery	See Section 7.3.2
<input type="checkbox"/>	Clean on-board computer	See Section 7.3.1
<input type="checkbox"/>	Clean on-board computer	See Section 7.3.1
<input type="checkbox"/>	Check disc brake linings (once a month or after braking 1,000 times)	See Section 3.3.5.3
<input type="checkbox"/>	Check rim brake brake linings (once a month or after braking 3000 times)	See Section 7.5.1.3
<input type="checkbox"/>	Checking the rim braking surface for wear	See Section 7.5.2.6
<input type="checkbox"/>	Clean handbrake	See Section 7.3.16.1
<input type="checkbox"/>	Clean brake disc	See Section 7.3.17
<input type="checkbox"/>	Check brake disc	See Section 7.5.2.4
<input type="checkbox"/>	Check brake Bowden cables	See Section 7.5.2.3
<input type="checkbox"/>	Clean pannier rack	See Section 7.3.4
<input type="checkbox"/>	Clean handles	See Section 7.3.7
<input type="checkbox"/>	Maintain handles	See Section 7.4.8
<input type="checkbox"/>	Check handbrake	See Section 7.5.2.1
<input type="checkbox"/>	Check hydraulic system	See Section 7.5.2.2
<input type="checkbox"/>	Clean cassette	See Section 7.3.15
<input type="checkbox"/>	Clean chain and all-round chain guard	See Section 7.3.19.1
<input type="checkbox"/>	Clean chain wheels	See Section 7.3.15
<input type="checkbox"/>	Clean leather handles	See Section 7.3.7.1
<input type="checkbox"/>	Maintain leather handles	See Section 7.4.8.2
<input type="checkbox"/>	Clean the leather saddle	See Section 7.3.9.1
<input type="checkbox"/>	Maintain leather saddle	See Section 7.4.11
<input type="checkbox"/>	Clean handlebars	See Section 7.3.6

Checklist: monthly tasks		
<input type="checkbox"/>	Cleaning the motor	See Section 7.3.3
<input type="checkbox"/>	Clean hub	See Section 7.3.12
<input type="checkbox"/>	Cleaning the frame	See Section 7.3.4
<input type="checkbox"/>	Clean tyres	See Section 7.3.10
<input type="checkbox"/>	Check back-pedal brake	See Section 7.5.2.5
<input type="checkbox"/>	Clean saddle	See Section 7.3.9
<input type="checkbox"/>	Clean seat post	See Section 7.3.8
<input type="checkbox"/>	Maintain seat post	See Section 7.4.9
<input type="checkbox"/>	Clean shifter	See Section 7.3.14.1
<input type="checkbox"/>	Cleaning gear shift	See Section 7.3.13
<input type="checkbox"/>	Clean shift cables	See Section 7.3.13
<input type="checkbox"/>	Check disc brake	See Section 7.5.2.4
<input type="checkbox"/>	Clean mudguard	See Section 7.3.4
<input type="checkbox"/>	Clean kickstand	See Section 7.3.4
<input type="checkbox"/>	Clean spokes and spoke nipples	See Section 7.3.11
<input type="checkbox"/>	Maintain spoke nipples	See Section 7.4.13
<input type="checkbox"/>	Clean rigid fork	See Section 7.3.4
<input type="checkbox"/>	Clean transmission	See Section 7.3.13
<input type="checkbox"/>	Clean front derailleur	See Section 7.3.15
<input type="checkbox"/>	Clean stem	See Section 7.3.5

Checklist: Quarterly tasks		
<input type="checkbox"/>	Check brake pressure point	See Section 7.5.2.1
<input type="checkbox"/>	Check rim brake (100 hours trip time or every 2,000 km)	See Section 7.5.2.6
<input type="checkbox"/>	Checking the spokes	See Section 7.5.1.3

Checklist: Tasks performed at least every six months (or every 1,000 km)	
<input type="checkbox"/>	Check Bowden cables gear shift See Section 7.5.10.2
<input type="checkbox"/>	Maintain handbrake See Section 7.4.18.1
<input type="checkbox"/>	Maintain carbon seat post See Section 7.4.9.2
<input type="checkbox"/>	Check gear shift electric cables See Section 7.5.10.1
<input type="checkbox"/>	Maintain suspension seat post See Section 7.4.9.1
<input type="checkbox"/>	Maintain rims See Section 7.4.10
<input type="checkbox"/>	Check rims See Section 7.5.1.3
<input type="checkbox"/>	Check rim hooks See Section 7.5.1.3
<input type="checkbox"/>	Maintain fork See Section 7.4.2
<input type="checkbox"/>	Check gear shift See Section 7.5.10
<input type="checkbox"/>	Maintain pannier rack See Section 7.4.3
<input type="checkbox"/>	Check chain See Section 7.5.10
<input type="checkbox"/>	Check derailleur gears See Section 7.5.10
<input type="checkbox"/>	Check chain tension See Section 7.5.4.1
<input type="checkbox"/>	Check wheel See Section 7.5.1
<input type="checkbox"/>	Maintain handlebars See Section 7.4.7
<input type="checkbox"/>	Check handlebars See Section 7.5.6
<input type="checkbox"/>	Check light See Section 7.5.3
<input type="checkbox"/>	Maintain hub See Section 7.4.12
<input type="checkbox"/>	Check hub See Section 7.5.10.4
<input type="checkbox"/>	Check nipple holes See Section 7.5.1.4
<input type="checkbox"/>	Maintain pedals See Section 7.4.15
<input type="checkbox"/>	Check pedal. See Section 7.5.8
<input type="checkbox"/>	Maintain frame See Section 7.4.1
<input type="checkbox"/>	Check belt tension See Section 7.5.4.3
<input type="checkbox"/>	Check saddle See Section 7.5.7
<input type="checkbox"/>	Maintain shifter See Section 7.4.14.2
<input type="checkbox"/>	Maintain rear derailleur articulated shaft See Section 7.4.14.1
<input type="checkbox"/>	Maintain rear derailleur jockey wheels See Section 7.4.14.1
<input type="checkbox"/>	Maintain kickstand See Section 7.4.5
<input type="checkbox"/>	Check kickstand stability
<input type="checkbox"/>	Check steering headset See Section 8.5.6

Checklist: Tasks performed at least every six months (or every 1,000 km)	
<input type="checkbox"/>	Servicing the stem See Section 7.4.6
<input type="checkbox"/>	Checking the stem See Section 7.5.5

Checklist: Annual tasks (or every 2000 km)	
<input type="checkbox"/>	Adjust hub with cone bearing See Section 8.5.6
<input type="checkbox"/>	Check nipple well (every 1,000 hours or every 2,000 km) See Section 7.5.1.5

 **WARNING**
**Crash caused by brake failure**

Oil or lubricant on the brake disc in a disc brake or on the rim of a rim brake can cause the brake to fail completely. This may cause a crash with serious injuries.

- ▶ Never allow oil or lubricant to come into contact with the brake disc or brake linings or on the rim of a rim brake.
- ▶ If the brake linings have come into contact with oil or lubricant, contact specialist dealer to have the components cleaned or replaced.
- ▶ After cleaning, servicing or repair, carry out a few test brake applications.

The brake system is not designed for use on a pedelec which is placed on its side or turned upside down. The brake may not function correctly as a result. This can cause a crash, which may result in injuries.

- ▶ If pedelec has been placed on its side or turned upside down, apply the brakes a couple of times before setting off to ensure they work as normal

The brake seals are unable to withstand high pressures. Damaged brakes can fail and cause an accident with injury.

- ▶ Never clean the pedelec with a pressure washer or compressed air.

Take great care when using a hosepipe. Never point the water jet directly at the seal section.

 **CAUTION**
**Crash and falling caused by unintentional activation**

There is a risk of injury if the electric drive system is activated unintentionally.

- ▶ Remove the battery before cleaning.

**Notice**

Water may enter the inside of the bearings if you use a steam jet. This dilutes the lubricant inside, the friction increases and, as a result, the bearings are permanently damaged in the long term. Water may also penetrate the electric components and damage them permanently.

- ▶ Never clean pedelec with a pressure washer, water jet or compressed air.

Greased parts, such as the seat post, the handlebars or the stem, may no longer be safely and reliably clamped.

- ▶ Never apply grease or oil to parts which are clamped.

Harsh cleaning agents such as acetone, methylene and trichloroethylene and solvents such as thinners, alcohol and corrosion protection can attack pedelec components and damage them permanently.

- ▶ Use approved care and cleaning products only.

## 7.1 Before each ride

Complying with these cleaning instructions is the only way to reduce wear on components, increase the operating hours and guarantee safety.

### 7.1.1 Checking the guards

The chain or belt guards, mudguards or the motor cover may break and fall off when the pedelec is transported or parked outside.

- ▶ Check that all guards are in place.
- ▶ Take pedelec out of service if a guard is damaged or missing. Contact specialist dealer.

### 7.1.2 Checking the frame

- ▶ Check frame for cracks, warping and damage to the paintwork.
- ▶ If there are any cracks, warping or damage to the paintwork, remove the pedelec from service. Contact specialist dealer.

### 7.1.3 Checking the fork

- ▶ Check fork for cracks, warping, tarnished components, leaked oil and damage to the paintwork. Also look at hidden parts on the underside.
- ⇒ If there are any cracks, warping, tarnished components, leaked oil or damage to the paintwork, remove the pedelec from service. Contact specialist dealer.

### 7.1.4 Checking the rear frame damper

- ▶ Check rear frame damper for cracks, warping, tarnished components, leaked oil and damage to the paintwork. Also look at hidden parts on the underside.
- ⇒ If there are any cracks, warping, tarnished components, leaked oil or damage to the paintwork, remove the pedelec from service. Contact specialist dealer.

### 7.1.5 Checking the pannier rack

- 1 Hold onto pedelec by its frame. Hold onto pannier rack with the other hand.
- 2 Move the pannier rack backwards and forwards to check that all screw connections are firmly in place.
  - ⇒ Tighten loose screws.
  - ⇒ Attach loose baskets permanently with a basket bracket or cable ties.

### 7.1.6 Checking the mudguards

- 1 Hold onto pedelec by its frame. Hold onto mudguard rack with the other hand.
- 2 Move the mudguard backwards and forwards to check that all screw connections are firmly in place.
  - ⇒ Tighten loose screws.

### 7.1.7 Check wheel concentricity

- ▶ Lift the front and rear wheels one after the other and spin each wheel when lifted.
- ⇒ If the wheel is loose or crooked when it turns, take pedelec out of service. Contact specialist dealer.

### 7.1.8 Checking the quick releases

- ▶ Check quick releases to ensure that all quick releases are firmly in their fully closed end position.
- ⇒ If a quick release is not firmly in its closed end position, open quick release and place in its end position.
- ⇒ If the quick release cannot be firmly placed in its end position, take pedelec out of service. Contact specialist dealer.

### 7.1.9 Checking the suspension seat post

- ▶ Deflect and let the suspension seat post rebound.
- ⇒ If you hear unusual noises when the suspension seat post deflects and rebounds, or it yields without any resistance, take pedelec out of service. Contact specialist dealer.

### 7.1.10 Checking the bell

- 1 Press the bell button downwards.
  - 2 Let button spring back.
- ⇒ If you do not hear a clear, distinct ring of the bell, replace bell. Contact specialist dealer.

### 7.1.11 Checking the handles

- ▶ Check the handles are firmly in place.
- ⇒ Screw loose handles firmly into place.

### 7.1.12 Checking the USB cover

- ⇒ If featured, check the position of the *cover on the USB port* on a regular basis and adjust if necessary.

### 7.1.13 Checking the riding light

- 1 Switch light on.
  - 2 Check that the headlight and rear light come on.
- ⇒ If the headlight and rear lights do not come on, take pedelec out of service. Contact specialist dealer.

### 7.1.14 Checking the brake

- 1 Pull both handbrakes when stationary.
  - 2 Push the pedals.
- ⇒ If no resistance is generated in the handbrake's usual position, take pedelec out of service. Contact specialist dealer.
  - ⇒ If the brake is losing fluid, take pedelec out of service. Contact specialist dealer.

## 7.2 After each ride

Complying with these cleaning instructions is the only way to reduce wear on components, increase the operating hours and guarantee safety.

The following items should be ready for use to clean the pedelec after each ride:









Tool		Cleaning agent	
 Cloth	 Bucket	 Water	 Dish-washing liquid
 Brush	 Fork oil	 Silicone or Teflon oil	 Acid-free lubricating grease

Table 55: Required tools and cleaning agents after each ride

### 7.2.1 Cleaning the riding light and reflectors



- 1 Clean headlight, rear light and reflectors with a damp cloth.

### 7.2.2 Cleaning the suspension fork



- 1 Remove dirt and deposits from the stanchions and deflector seals with a damp cloth. Check stanchions for dents, scratches, staining or leaking oil.
- 2 Lubricate the dust seals and stanchions with a few drops of silicone spray.
- 3 Maintain the suspension fork after cleaning.

### 7.2.3 Maintaining the suspension fork



- Treat dust seals with fork oil.

### 7.2.4 Cleaning the pedals



- Clean pedals with a brush and soapy water.

### 7.2.5 Cleaning the brake



- Clean dirt on the rim and brake components with a slightly dampened cloth.

### 7.2.6 Cleaning the suspension seat post



- Clean dirt on the articulated joints with a slightly dampened cloth immediately after a ride.

### 7.2.7 Cleaning the rear frame damper



- Clean dirt on the articulated joints with a slightly dampened cloth immediately after a ride.

### 7.3 Basic cleaning

Complying with these basic cleaning instructions is the only way to reduce wear on components, increase the operating hours and guarantee safety.

The following are required for basic cleaning:

Tool		Cleaning agent	
 Gloves	 Toothbrush	 Water	 Lubricant
 Cloth	 Paintbrush	 Dish-washing liquid	 Brake cleaner
 Sponge	 Watering can	 Degreaser	 Leather cleaner
 Brushes	 Bucket		

**Table 56: Required tools and cleaning agents for basic cleaning**

- ✓ Remove battery and on-board computer before thorough cleaning.

#### 7.3.1 Cleaning the on-board computer and control panel



#### Notice

If water enters the on-board computer, it will be permanently damaged.

- ▶ Never immerse the on-board computer in water.
  - ▶ Never use a cleaning agent.
- 
- ▶ Carefully clean the on-board computer and control panel with a soft, damp cloth.

#### 7.3.2 Cleaning the battery



#### CAUTION

#### Risk of fire and explosion due to penetration by water

The battery is only protected from simple spray water. Penetration by water can cause a short circuit. The battery may self-ignite and explode.

- ▶ Keep contacts dry and clean.
- ▶ Never immerse the battery in water.

#### Notice

- ▶ Never use a cleaning agent.

- 1 Clean the battery electrical connections with a dry cloth or paintbrush only.
- 2 Wipe off the decorative sides with a damp cloth.

#### 7.3.3 Cleaning the motor



#### Notice

If water enters the motor, it will be permanently damaged.

- ▶ Never open the motor.
  - ▶ Never immerse the motor in water.
  - ▶ Never use cleaning agents.
- 
- ▶ Carefully clean the motor on the outside with a soft, damp cloth.

### 7.3.4 Cleaning the frame, fork, pannier rack, guards and kickstand



- 1 Soak the components with dish-washing detergent if the dirt is thick and ingrained.
- 2 After leaving it to soak for a short time, remove the dirt and mud with a sponge, brush and toothbrushes.
- 3 Rinse off the components with water from a watering can.
- 4 Wipe away oil stains with a degreaser.

### 7.3.5 Cleaning the stem



- 1 Clean stem with a cloth and soapy water.
- 2 Rinse off component with water from a watering can.

### 7.3.6 Cleaning the handlebars



- 1 Clean handlebars, including handles and all gears or twist grip shifter, with a cloth and soapy water.
- 2 Rinse off component with water from a watering can.

### 7.3.7 Cleaning the handles



- 1 Clean handles with sponge, water and soapy water.
- 2 Rinse off component with water from a watering can.
- 3 Care for rubber handles after cleaning (see Section [7.4.8.1](#)).

#### 7.3.7.1 Cleaning leather handles



Leather is a natural product and has similar properties to human skin. Regular cleaning and care help to prevent leather dehydrating, fading or becoming brittle or stained.

- 1 Remove dirt with a soft, damp cloth.
- 2 Remove stubborn stains with a leather cleaner.
- 3 Care for leather handles after cleaning (see Section [7.4.8.2](#)).

### 7.3.8 Cleaning the seat post



- 1 Clean seat post with a cloth and soapy water.
- 2 Rinse off component with water from a watering can.
- 3 Wipe away any grease or assembly paste residue with a cloth and degreaser.

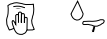


### 7.3.9 Cleaning the saddle



- 1 Clean the saddle with lukewarm water and a cloth dampened with soapy water.
- 2 Rinse off component with water from a watering can.

#### 7.3.9.1 Cleaning the leather saddle



Leather is a natural product and has similar properties to human skin. Regular cleaning and care help to prevent leather dehydrating, fading or becoming brittle or stained.

- 1 Remove dirt with a soft, damp cloth.
- 2 Remove stubborn stains with a leather cleaner.
- 3 Care for leather saddle after cleaning (see Section [7.4.11](#)).

### 7.3.10 Cleaning the tyres

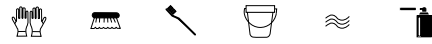


- 1 Clean tyres with a sponge, a brush and soap cleaner.
- 2 Rinse off component with water from a watering can.
- 3 Remove any embedded chips and small stones.

### 7.3.11 Cleaning the spokes and spoke nipples

- 1 Clean spokes from the inside to the outside with a sponge, brush and soapy water.
- 2 Clean rim with a sponge.
- 3 Rinse off component with water from a watering can.
- 4 Care for spoke nipples after cleaning (see Section [7.4.13](#)).

### 7.3.12 Cleaning the hub



- 1 Put on protective gloves.
- 2 Remove dirt from hub with a sponge and soapy water.
- 3 Rinse off component with water from a watering can.
- 4 Wipe off oily dirt with a degreaser and a cloth.

### 7.3.13 Cleaning the switching elements



- 1 Clean gear shift and shift cables with water, a brush and dish-washing detergent.
- 2 Rinse off component with water from a watering can.

### 7.3.14 Cleaning the SRAM AXS rear derailleur

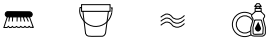


#### Notice

The battery will be permanently damaged if water enters the rear derailleur battery or the battery mount.

- ▶ If fitted, remove the rear derailleur battery from the SRAM rear derailleur and insert the battery separator into the rear derailleur before cleaning.
  - ▶ Never immerse the rear derailleur in water.
  - ▶ Never use acidic or degreasing agents on the electrical components.
  - ▶ Never use chemical cleaning agents or solvents as they can destroy the plastic components.
- 
- ▶ Clean all derailleur components with a damp cloth.

### 7.3.14.1 Cleaning the shifter



- Carefully clean shifter with a damp, soft cloth.

### 7.3.15 Cleaning the cassette, chain wheels and front derailleur



- 1 Put on protective gloves.
- 2 Spray cassette, chain wheels and front derailleur with degreasing agent.
- 3 Clean coarse dirt with a brush after soaking for a short time.
- 4 Wash down all parts with dish-washing detergent and a toothbrush.
- 5 Rinse off component with water from a watering can.

### 7.3.16 Cleaning the brake

#### 7.3.16.1 Cleaning the handbrake



- Carefully clean the handbrake with a damp, soft cloth.

#### 7.3.17 Cleaning the brake disc



#### Notice

- Protect brake disc against lubricants and grease from hands.

- 1 Put on protective gloves.
- 2 Spray brake disc with brake disc cleaning spray.
- 3 Wipe with a cloth.

#### 7.3.18 Cleaning the belt



#### Notice

- Never use aggressive (acid-based) cleaners, rust removers or degreasers when cleaning the belt.

- 1 Dampen a cloth with soapy water. Place the cloth on the belt.
- 2 Hold and apply slight pressure while slowly turning the rear wheel so that the belt passes through the cloth.

### 7.3.19 Cleaning the chain



#### Notice

- ▶ Never use aggressive (acid-based) cleaners, rust removers or degreasers when cleaning the chain.
- ▶ Never use gun oil or rust remover spray.
- ▶ Never use chain cleaning devices or chain cleaning baths.
- ▶ Have chain with all-round guard cleaned and cared for during major inspection.

- ✓ Place newspaper or paper towels underneath to collect dirt.
- 1 Slightly dampen a brush with dish-washing liquid. Brush both sides of the chain.
- 2 Dampen a cloth with soapy water. Place the cloth on the chain.
- 3 Hold and apply slight pressure while slowly turning the rear wheel, so the chain passes through the cloth.
- 4 Wipe off oily, dirty chains thoroughly with a cloth and degreaser.
- 5 Care for the chain after cleaning (see Section [7.4.16](#)).

#### 7.3.19.1 Cleaning the chain, including all-round chain guard



#### Notice

The chain guard must be removed before cleaning. Contact specialist dealer.

- ▶ Clean water hole on the chain guard lower surface.
- ▶ Care for the chain after cleaning (see Section [7.4.16.1](#)).

## 7.4 Maintenance

Complying with these servicing instructions is the only way to reduce wear on components, increase the operating hours and guarantee safety.

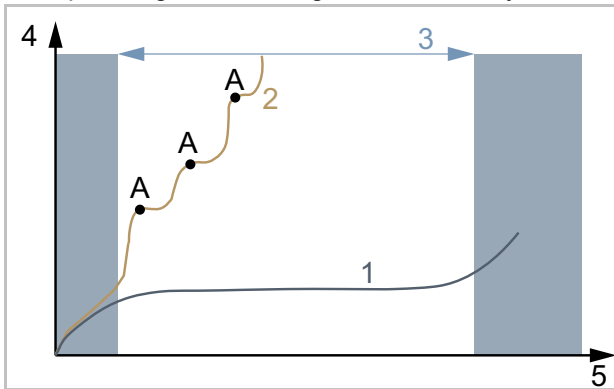


Figure 162: Diagram showing wear, operating hours (5) vs. material abrasion (4)

The service life (3) of an optimally serviced drive chain (1) is almost three times as long with lubrication (A) compared to a drive chain (2) lubricated on an irregular basis.

These tools and cleaning agents are required for servicing:












Tool		Cleaning agent	
 Cloth	 Toothbrush	 Frame wax spray	 Silicone or Teflon oil
		 Acid-free lubricating grease	 Fork oil
		 Teflon spray	 Spray oil
		 Chain oil	 Leather care product
		 Battery terminal grease	

Table 57: Required tools and cleaning agents for servicing

### 7.4.1 Maintain frame



#### Notice

- ▶ Hard wax polish and protection wax are particularly resistant on gloss paintwork. These car accessory retail products are unsuitable for matt paint finishes.
- ▶ Try wax spray out on a small spot before application.

- 1 Dry frame with a cloth.
- 2 Spray frame with spray wax and leave to dry.
- 3 Wipe away any wax residue with a cloth.

### 7.4.2 Maintain fork

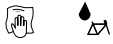


#### Notice

- ▶ Hard wax polish and protection wax are particularly resistant on gloss paintwork. These car accessory retail products are unsuitable for matt paint finishes.
- ▶ Try wax spray out on a small spot before application.

- 1 Dry fork with a cloth.
- 2 Spray frame care oil on frame and leave to dry.
- 3 Wipe away any wax residue with a cloth.

### 7.4.3 Maintain pannier rack



- 1 Dry pannier rack with a cloth.
- 2 Spray pannier rack with spray wax and leave to dry.
- 3 Wipe pannier rack with a cloth.
- 4 Protect chafing points on panniers with adhesive film. Replace worn adhesive film.
- 5 Maintain coil springs with silicone spray or wax spray from time to time.

### 7.4.4 Maintain mudguard



- Depending on the requirements for the material in the mudguard, apply hard wax polish, metal polish or a plastic care product as per the product instructions.

### 7.4.5 Servicing the kickstand



- 1 Dry kickstand with a cloth.
- 2 Spray kickstand rack with spray wax and leave to dry.
- 3 Wipe down kickstand with a cloth.
- 4 Lubricate the kickstand joints with spray oil.

### 7.4.6 Maintaining the stem



- 1 Spray painted and polished metal surfaces with wax spray and leave to dry.
- 2 Wipe away any wax residue with a cloth.
- 3 Apply silicone or Teflon oil to the stem shaft tube and the quick release lever pivot point with a cloth.
- 4 If you have a Speedlifter Twist, also apply oil to the unlocking bolt groove in the Speedlifter body.
- 5 Apply a little acid-free lubricant grease between the stem quick release lever and the sliding piece to reduce the quick release lever operating force.
- 6 If you have a stem with a cone clamp, apply a new protective layer of assembly paste onto the stem and fork steerer contact point once a year.

### 7.4.7 Maintaining the handlebars



- 1 Spray painted and polished metal surfaces with wax spray and leave to dry.
- 2 Wipe away any wax residue with a cloth.

## 7.4.8 Maintaining the handles

### 7.4.8.1 Maintaining rubber handles

- 1 Apply talcum powder to sticky rubber handles.

#### Notice

- ▶ Never apply talcum powder to leather or foam handles.

### 7.4.8.2 Maintaining the leather handles



Standard leather care products keep leather smooth and resistant, brighten its appearance and improve or replace stain protection.

- 1 Try leather care product out on a less visible spot before use.
- 2 Care for leather handles with a leather care product.

## 7.4.9 Maintaining the seat post

- 1 Carefully preserve screw connections with wax spray. In doing so, ensure that no wax is applied to the metal contact surfaces.
- 2 Replace the assembly paste protective layer on the metal contact surfaces on the seat post and seat tube every year.

### 7.4.9.1 Maintaining the suspension seat post



- 1 Lubricate articulated joints with spray oil.
- 2 Deflect and let the suspension seat post rebound five times. Remove any surplus lubricant with a clean cloth.

### 7.4.9.2 Maintaining the carbon seat post



#### Notice

Rain and puddle water can cause contact corrosion if carbon seat posts are used in an aluminium frame without protective assembly paste. It may then take a great deal of force to remove the seat post. The carbon seat post may break as a result.

- 1 Take out the carbon seat post.
- 2 Remove old assembly paste with a cloth.
- 3 Apply new assembly paste with a cloth.
- 4 Re-insert the carbon seat post.

### 7.4.10 Maintaining the rims



- ▶ Care for chrome rims, stainless steel rims and polished aluminium with chrome or metal polish. Never maintain the brake surface with polish.

### 7.4.11 Maintaining the leather saddle



Standard leather care products keep leather smooth and resistant, brighten its appearance and improve or replace stain protection.

- 1 Try leather care product out on a less visible spot before use.
- 2 Care for leather saddle from below with a leather care product. Only maintain the top of leather saddles with a leather care product if they are badly worn and dried-out.
- 3 Avoid wearing light-coloured trousers after care due to staining.

### 7.4.12 Maintaining the hub



- 1 Apply wax spray especially around the spoke holes. In doing so, ensure that no wax is applied to brake parts.
- 2 Treat rubber seals with a cloth with one or two drops of silicone spray. Never use oil if you have disc brakes.

### 7.4.13 Maintaining the spoke nipples



- 1 Apply wax spray onto the spoke nipples from the rim side.
- 2 Treat heavily corroded spoke nipples with a drop of penetrating or special care oil.

### 7.4.14 Maintaining the gear shift

#### 7.4.14.1 Maintaining the rear derailleur articulated shafts and jockey wheel



- ▶ Treat front and rear derailleur articulated shafts and jockey wheels with Teflon spray.

#### 7.4.14.2 Maintaining the shifter



#### Notice

- ▶ Never treat shifters with degreaser or penetrating oil spray.
- ▶ Lubricate articulated joints and mechanical parts which are accessible from outside with a few drops of spray oil or precision mechanics oil.

### 7.4.15 Maintaining the pedals



- 1 Treat pedals with spray oil. In doing so, ensure that no lubricant is applied to the pedal surfaces.
- 2 Lubricate seals and mechanical parts sparingly with a few drops of oil.
- 3 Remove any surplus lubricant with a clean cloth.
- 4 Spray metal foot rests with silicone spray.

### 7.4.16 Maintaining the chain



- ✓ Place newspaper or paper towels underneath to collect chain oil.
- 1 Lift rear wheel.
- 2 Turn the crank briskly in an anti-clockwise direction.
- 3 Use slight finger pressure to the chain oil bottle to apply a wafer-thin thread of oil to the chain links. The faster the crank is turned, the thinner the threads of oil will be.

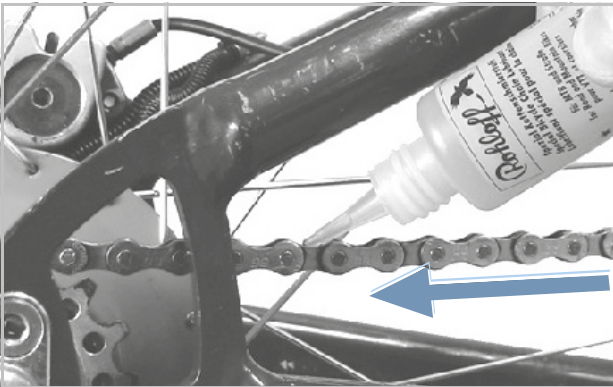


Figure 163: Lubricating the chain

- 4 Remove excessive chain oil with a cloth. If you apply too much oil, it will make the chain all the dirtier at a later point in time.
- 5 Leave chain oil to penetrate into the chain links for a few hours or overnight.

#### 7.4.16.1 Maintaining the chain and all-round chain guard



- ✓ Place newspaper or paper towels underneath to collect chain oil.
- 1 Lift rear wheel.
- 2 Turn the crank briskly in an anti-clockwise direction.
- 3 Use slight finger pressure to the chain oil bottle to apply a wafer-thin thread of oil onto the chain links through the oil hole on the upper surface of the chain guard. The faster the crank is turned, the thinner the threads of oil will be.
- 4 Remove excessive chain oil with a cloth. If you apply too much oil, it will make the chain all the dirtier at a later point in time.
- 5 Leave chain oil to penetrate into the chain links for a few hours or overnight.

### 7.4.17 Maintaining the battery



- ▶ Grease plug terminals on the battery with terminal grease or contact spray from time to time.



## 7.4.18 Maintaining the brake

### 7.4.18.1 Maintaining the handbrake



#### Notice

- ▶ Never treat brake handbrake with degreaser or penetrating oil spray.
- ▶ Lubricate articulated joints and mechanical parts which are accessible from outside with a few drops of spray oil or precision mechanics oil.

### 7.4.19 Lubricating the Eightpins seat post tube

- ▶ Use a 2.5 ml syringe to carefully fill Eightpins Fluid V3 very slowly into the lubricating nipple on the outer tube.



Figure 164: Lubricating the Eightpins seat post

#### Notice

- ▶ Fill a maximum of 2.5 ml since otherwise the reservoir inside will overflow and the oil will spill into the frame.

## 7.5 Inspection

The following tools are required for an inspection:







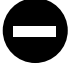
	Gloves
	Ring spanners 8 mm, 9 mm, 10 mm, 13 mm, 14 mm and 15 mm
	Torque spanner Working range 5... 40 Nm
	<b>by.schulz handlebars:</b> TORX® bits: T50, T55, and T60
	Hex key 2 mm, 2.5 mm, 3 mm, 4 mm, 5 mm, 6 mm and 8 mm
	Phillips screwdriver
	Slotted-head screwdriver

Table 58: Tools required for inspection

### 7.5.1 Checking the wheel

- 1 Hold pedelec.
- 2 Hold onto the front or rear wheel and try to move the wheel sideways. In doing so, check to see if the wheel nuts or quick releases move.
  - ⇒ If the wheel moves or the wheel nut or quick release moves sideways, take pedelec out of service. Contact specialist dealer.
- 3 Lift pedelec slightly. Turn front or rear wheel. In doing so, check whether the wheel deflects sideways or outwards.
  - ⇒ If the wheel deflects sideways or outwards, take pedelec out of service. Contact specialist dealer.

#### 7.5.1.1 Checking tyre pressure

### Notice

If the tyre pressure is too low in the tyre, the tyre does not achieve its load bearing capacity. The tyre is not stable and may come off the rim.

If the tyre pressure is too high, the tyre may burst.

Tyres are wear parts and wear away due to fatigue, storage, environmental influences or mechanical impacts. Only optimum tyre pressure will guarantee greater safety, lower rolling resistance, effective protection against punctures and a longer service life.

#### Air loss

Even the most airtight tube will lose pressure on a continuous basis since the air pressures in a pedelec tyre are significantly higher and the wall thicknesses significantly finer than in a car tyre. Pressure loss of 1 bar per month can be regarded as normal. During this process, the pressure loss is significantly faster at high pressures and significantly slower at low pressures.

#### Checking tyre pressure

The permitted pressure range is indicated on the side of the tyre.



Figure 165: Tyre pressure specification in bar (1) and psi (2)

- ▶ Verify tyre pressure against the value noted in the pedelec pass every 10 days as a minimum.

**Dunlop valve****Only applies to pedelecs with this equipment**

The tyre pressure cannot be measured on the simple Dunlop valve. You thus measure the tyre pressure in the filling hose while slowly pumping the bicycle air pump.

- ✓ It is recommendable to use a bicycle air pump with a pressure gauge.
- 1 Unscrew and remove the valve cap.
- 2 Undo the rim nuts.
- 3 Connect the bicycle air pump.
- 4 Pump up the tyre slowly and pay attention to the tyre pressure in the process.
- 5 Correct the tyre pressure to meet the specified value in the Pedelec pass.
- 6 If the tyre pressure is too high, unfasten the union nut, let air out and re-tighten the union nut.
- 7 Remove the bicycle air pump.
- 8 Screw the valve cap tight.
- 9 Screw the rim nut gently against the rim with the tips of your fingers.
- ⇒ Correct tyre pressure if necessary (see section 6.5.8.2).

**Schrader valve****Only applies to pedelecs with this equipment**

- ✓ It is recommended to use an air pump at a filling station or a modern bicycle air with a pressure gauge. Older and simple bicycle air pumps are unsuitable for filling tyres via a Schrader valve.
- 1 Unscrew and remove the valve cap.
- 2 Undo the rim nuts.
- 3 Connect the bicycle air pump.
- 4 Pump up the tyre slowly and pay attention to the tyre pressure in the process.
- ⇒ The tyre pressure has been adjusted as per the specifications.
- 5 Remove the bicycle air pump.
- 6 Screw the valve cap tight.
- 7 Screw the rim nut gently against the rim with the tips of your fingers.
- ⇒ Correct tyre pressure if necessary (see section 6.5.8.2).

**Presta valve****Only applies to pedelecs with this equipment**

- ✓ It is recommendable to use a bicycle air pump with a pressure gauge. You must observe the bicycle air pump operating instructions.
- 1 Unscrew and remove the valve cap.
- 2 Open the knurled nut around four turns.
- 3 Carefully attach the bicycle air pump so that you do not bend the valve insert.
- 4 Pump up the tyre slowly and pay attention to the tyre pressure in the process.
- 5 Correct the tyre pressure as per the specifications on the tyre.
- 6 Remove the bicycle air pump.
- 7 Tighten the knurled nut with your fingers.
- 8 Screw the valve cap tight.
- 9 Screw the knurled nut gently against the rim with the tips of your fingers.
- ⇒ Correct tyre pressure if necessary (see section 6.5.8.2).

### 7.5.1.2 Checking the tyres

The tread is far less important for bicycle tyres than it is for car tyres, for example. Consequently, tyres can still be used with a worn tread with the exception of tyres on mountain bikes.

- 1 Check the tread for wear. The tyre is worn if the anti-puncture protection or the carcass cords are visible.

Since resistance to punctures also depends on the thickness of the tread, it may make sense to change the tyre at an earlier stage.

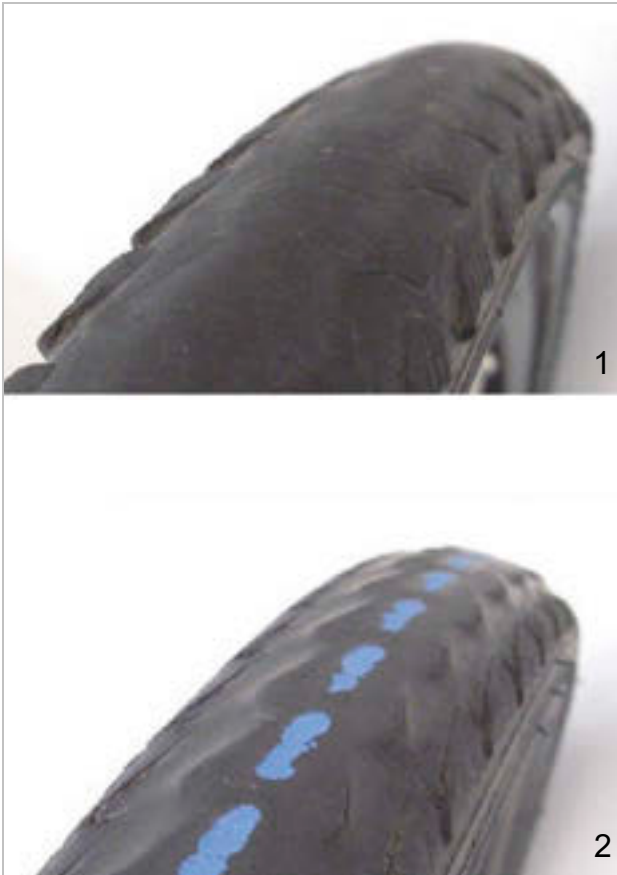


Figure 166: Tyres without a tread which can be replaced (1) and tyres with puncture protection showing through (2) must be replaced

- 2 Check the side walls for wear. If there are any cracks or tears, the tyre must be replaced.



Figure 167: Examples of fatigue cracks (1) and ageing cracks (2)

- 3 Replacing a wheel requires considerable mechanical expertise. If a tyre is worn, it needs to be replaced at a specialist dealer's.

### 7.5.1.3 Checking the rims



#### Crash caused by a worn rim

A worn rim can break and block the wheel. This may cause a crash with serious injuries.

- ▶ Check rim wear on a regular basis.
- ▶ Take pedelec out of service if the rim has any cracks or warping. Contact specialist dealer.

Rims are wear parts and wear away due to fatigue, mechanical impacts, environmental influences or due to braking if rim brakes are used.

- ▶ Check the rim well for wear.
- ⇒ The rims of a rim brake with invisible wear indicator are worn as soon as the wear indicator becomes visible in the area of the rim joint.
- ⇒ The rims with visible wear indicator are worn as soon as the black, all-round groove on the pad friction surface is no longer visible.
- ▶ We recommend that you also replace the *rims* at the same time as every second brake lining replacement.

### 7.5.1.4 Checking the nipple holes

Nipples cause fatigue and stress on the edge of the nipple hole.

- ▶ Check whether there are cracks on the edge of the nipple hole.

If there are cracks on the edge of the nipple hole, contact your specialist dealer.

### 7.5.1.5 Checking the nipple well

The nipple holes can weaken the tyre bed.

- ▶ Check to see if cracks are emerging from the nipple holes.
- ⇒ If there are cracks radiating from the nipple hole, contact your specialist dealer.

### 7.5.1.6 Checking the rim hooks

Mechanical impacts can warp the rim hooks. There is no longer a guarantee that a tyre can be fitted safely if this is the case.

- ▶ Check for twisted rim hooks.
- ⇒ Replace rims with twisted rim hooks. Never repair the rim with pliers and bend the hook back.

### 7.5.1.7 Checking the spokes

- ▶ Press spokes slightly together with your thumb and index finger. Check to ensure that the tension is the same for all spokes.
- ⇒ Contact your specialist dealer if the spokes are loose or are tensioned differently.

## 7.5.2 Checking the brake system



### Crash caused by brake failure

Worn brake discs and brake linings and a lack of hydraulic fluid in the brake cable reduce the braking power. This may cause a crash with serious injuries.

- ▶ Check brake disc, brake linings and the hydraulic brake system regularly. Contact specialist dealer.

The inspection interval for the brake depends on how often it is used and the weather conditions. If the pedelec is used under extreme conditions such as rain, dirt or high mileage, inspection must be performed more frequently.

### 7.5.2.1 Checking the handbrake

- 1 Check that all screws in the handbrake are firmly in place (see Section 3.5.12).
- 2 Tighten loose screws.
- 3 Check that handbrake is torsionally rigid on the handlebars (see Section 3.5.12).
- 4 Tighten loose screws.
- 5 Check that there is a gap of at least 1 cm between the handbrake and the handle when the handbrake is fully applied.
- 6 Adjust the grip distance if the gap is too narrow (see Section 6.5.9.5).
- 7 Check the braking effect by pedalling while pulling the handbrake.
  - ▶ If the braking power is too weak, adjust the brake pressure point.
  - ▶ Contact your specialist dealer if the pressure point cannot be reached.

### 7.5.2.2 Checking the hydraulic brake system

- 1 Pull on the handbrake and check whether any brake fluid leaks out of the lines, connections or on the brake linings.
- 2 If any brake fluid leaks from anywhere, take pedelec out of service. Contact specialist dealer.
- 3 Pull brake handbrake and hold several times.
- 4 If you are unable to clearly detect the pressure point and it changes, the brake needs to be bled. Contact specialist dealer.

### 7.5.2.3 Checking the Bowden cables

- 1 Pull on handbrake several times. Check whether the Bowden cables get stuck or they make scraping noises.
- 2 Check the physical condition of the Bowden cables for visible damage and check to see if wire strands are broken.
- 3 Have defective Bowden cables replaced. Contact specialist dealer.

### 7.5.2.4 Checking the disc brake

Only applies to pedelecs with this equipment

#### Checking the brake linings

- ▶ Check that the brake linings are no less than 1.8 mm wide at any point and there are no less than 2.5 mm between the brake lining and supporting plate.



Figure 168: Checking the brake lining when fitted with the help of the transport safety wear gauge

- 1 Check brake linings for damage and thick dirt.
  - ⇒ Have damaged or very dirty brake linings replaced. Contact specialist dealer.
- 2 Pull handbrake and hold.
- 3 In doing so, check whether the transport safety wear gauge can fit between the brake lining supporting plates.
  - ⇒ If the transport safety wear gauge fits between the supporting plates, the brake linings have not reached their wear limit.
  - ⇒ Contact your specialist dealer if they are worn.

#### Checking the brake discs

- ✓ Put on gloves as the brake disc is very sharp.
- 1 Take hold of brake disc and wiggle it gently to check whether the brake disc is positioned against the wheel free of backlash.
  - 2 Check that the brake linings move steadily and symmetrically back towards the brake disc when you pull and release handbrake.
    - ⇒ If the brake disc can be moved or the brake linings move erratically, contact your specialist dealer.
  - 3 Check that the brake disc is no less than 1.8 mm thick at any point.
    - ⇒ If the brake disc is under the wear limit and is less than 1.8 mm thick, the brake disc must be replaced. Contact specialist dealer.

### 7.5.3 Checking the riding light

- 1 Check the cable connections on the headlight and rear light for damage and corrosion and ensure they are firmly in position.
- ⇒ If cable connections are damaged or corroded, or are not firmly in positioned. take pedelec out of service. Contact specialist dealer.
- 2 Switch light on.
- 3 Check that the headlight and rear light come on.

- ⇒ If the headlight or rear lights do not come on, take pedelec out of service. Contact specialist dealer.
- 4 Place pedelec 5 m from the wall.
- 5 Stand the pedelec up straight. Hold the handlebars straight with both hands. Do not use the kickstand.

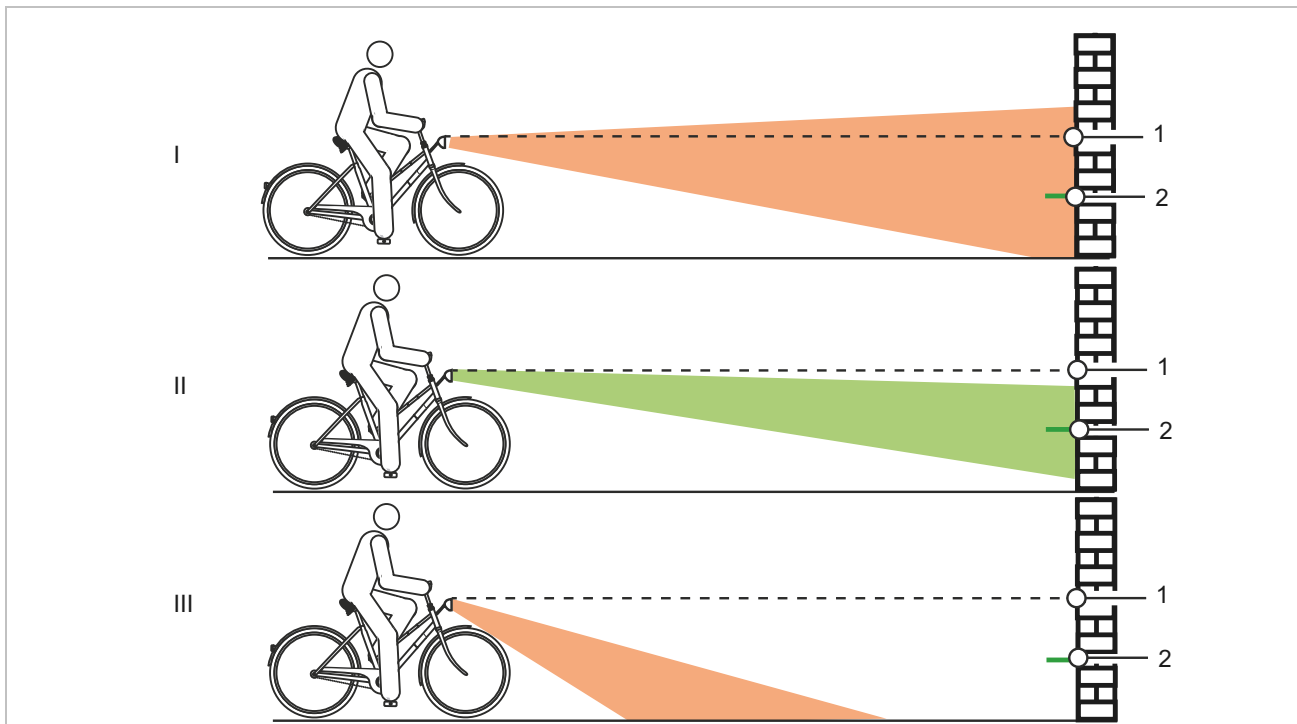


Figure 169: Light positioned too high (1), correctly (2) and too low (3)

- 6 Check the position of the light beam.
- ⇒ If the light is positioned too high or too low, adjust riding light (see Section 6.5.11.1).



## 7.5.4 Checking the chain

- ▶ Check chain for rust, damage and chain links that are difficult to move.
- ⇒ Replace rusted, damaged or difficult-to-move chains since they will not withstand the tensile loads from the drive and will soon break. Contact specialist dealer.

### 7.5.4.1 Checking the chain tension

#### Notice

Excessive chain tension increases wear. If the chain tension is too low, there is a risk that the chain will slip off the chain wheels.

- ▶ Check the chain tension once a month.

#### Check tension in derailleur gears

The rear derailleur tensions the chain on pedelecs with derailleur gears.

- 1 Check to see if the chain is sagging.
  - 2 Gently press the rear derailleur forwards to check whether it moves and whether it goes back into position by itself.
- ⇒ If the chain is sagging or the rear derailleur does not go back into position by itself, contact your specialist dealer.

#### Check tension in hub gear

- 3 Remove the chain guard on pedelecs with a circumferential chain guard.

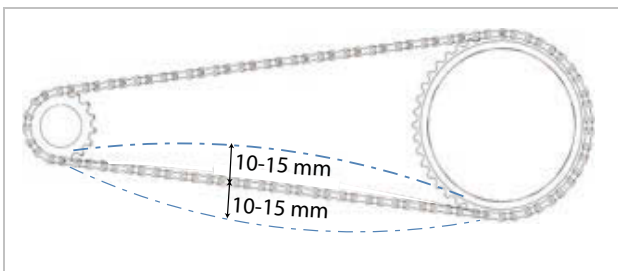


Figure 170: Checking the chain tension (example): 5 mm upwards, 10 mm downwards = 15 mm deviation

- 1 Lift chain upwards. Measure the distance to the centre. Press chain downwards. Measure the distance to the centre.
- 2 Add the two values together to calculate the deviation.

- 3 Check the chain tension at three to four points.

- ⇒ If the deviation is greater than 20 mm, tighten chain.
- ⇒ If the deviation is less than 10 mm, Loosen chain.
- ▶ If a hub gear is fitted, the rear wheel must be pushed backwards and forwards to tighten the chain. Contact specialist dealer.
- ▶ In the case of pedelecs with a hub gear or back-pedal brake, the chain is tensioned by an eccentric bearing or movable fork end in the bottom bracket axle. Special tools and specialist knowledge are required to tension the chain. Contact specialist dealer.

### 7.5.4.2 Checking the belt for wear

Each chain has a wear limit. If this limited is exceeded, the chain needs to be replaced.

Manufacturer	Wear limits
SHIMANO	>1%
KCM	>0.8 mm per link
SRAM	>0.8%
ROHLOFF	S: >0.1 mm per link A: >0.075 mm per link

Table 59: Chain wear limit by manufacturer

#### Rough check

You can perform a rough check on the chain wheel by hand on conventional chains.

- 1 Place the chain on the largest chain wheel.
  - 2 Lift the chain from the front to the centre of the bike.
- ⇒ If the chain can be lifted more than half a link from the chain wheel, carry out a check or contact your specialist dealer.

**Check**

There is a different wear gauge for each chain, depending on the manufacturer:



Figure 171: Example of a KMC gauge



Figure 172: Example of a SHIMANO gauge

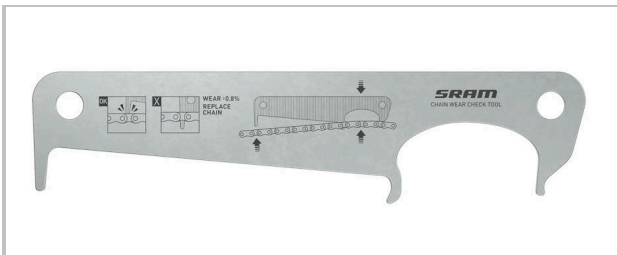


Figure 173: Example of a SRAM gauge



Figure 174: Example of a ROHLOFF gauge



Figure 175: Example of a KMC digital gauge

- 1 Insert gauge between two chain links on the right-hand side.

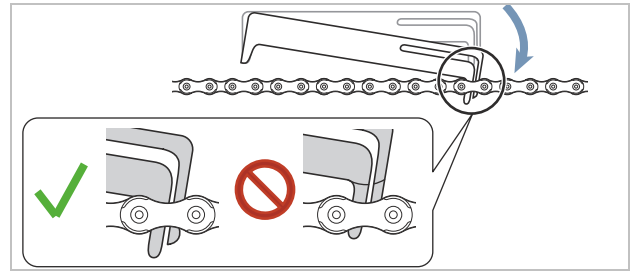


Figure 176: Gauge is inserted

- 2 Lower gauge down to the left-hand side.

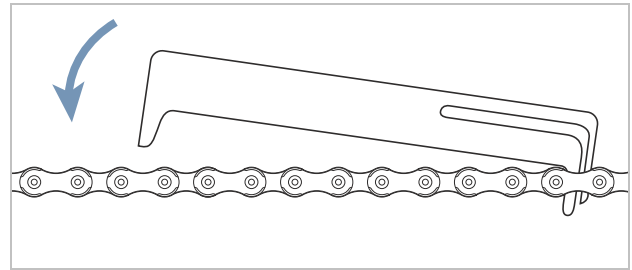


Figure 177: Lower gauge to the left

- ⇒ If the gauge does not fit between the links, the chain is not worn yet.

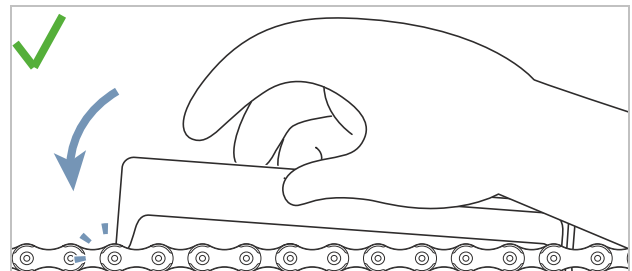


Figure 178: Gauge does not fit

- ⇒ If the gauge does not fit between the links, the chain is worn and must be replaced. Contact specialist dealer.

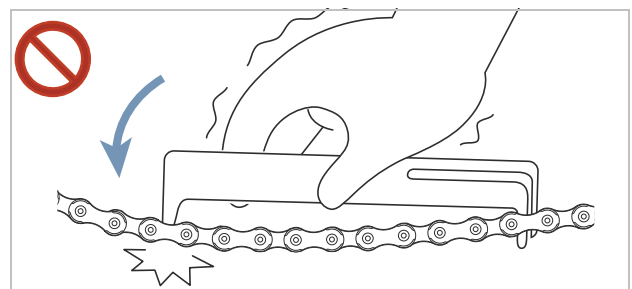


Figure 179: Gauge fits

### 7.5.5 Checking the stem

- ▶ The stem and quick release system must be inspected at regular intervals. The specialist dealer should adjust them if they require adjustment.
- ▶ If the hexagon socket head screw is also loosened, the bearing clearance also needs to be adjusted. Medium-strength thread locker, such as Loctite blue, then needs to be applied to the loosened screws and the screws tightened as per specifications.
- ▶ Check metal contact surfaces on cone, stem clamping screw and fork steerer for corrosion.
- ⇒ Take pedelec out of service if there is any wear or signs of corrosion. Contact specialist dealer.

### 7.5.6 Checking the handlebars

- 1 Take hold of handlebars with both hands on the handles.
  - 2 Move handlebars up and down and press to tilt.
- ⇒ If the handlebars can move, contact your specialist dealer.
- 3 Place front wheel in position where it can't move sideways (e.g. in a bike stand).
  - 4 Hold handlebars firmly with both hands.
  - 5 Check if the handlebars are able to twist against the front wheel.
- ⇒ If the handlebars can move, contact your specialist dealer.

### 7.5.7 Checking the saddle

- 1 Hold saddle firmly.
  - 2 Check whether the saddle twists, tilts or can be pushed in one direction or other.
- ⇒ If the saddle twists, tilts or can be pushed in one direction or other, adjust the saddle (see Section 6.5.4).
  - ⇒ Contact your specialist dealer if the saddle cannot be fixed into position.

### 7.5.8 Checking the seat post

- 1 Take seat post out of the frame.
- 2 Check seat post for cracks and corrosion.
- 3 Reinsert seat post.

### 7.5.9 Checking the pedal

- 1 Hold pedal and try to move it sideways toward the inside or outside. In doing so, observe whether the crank arm or bearing move sideways.
- ⇒ If the pedal, crank arm or crank bearing moves sideways, fasten screw on the pedal crank rear.
- 2 Hold pedal and try to move it upwards and downwards vertically. In doing so, observe whether the pedal, crank arm or crank bearing moves vertically.
- ⇒ If the pedal, crank arm or crank bearing moves vertically, fasten screw.

### 7.5.10 Checking the gear shift

- 1 Check that all gear shift components are free of damage.
- 2 Contact your specialist dealer if components are damaged.
- 3 Place the pedelec on stand.
- 4 Turn the pedal crank clockwise.
- 5 Switch through all speeds.
- 6 Check that pedelec can switch through all speeds without making unusual noises.
- 7 Adjust the gear shift if gears cannot be changed correctly.

#### 7.5.10.1 Checking the electric gear shift

- 1 Check the cable connections for damage and corrosion and ensure they are firmly in position.
- ⇒ If cable connections are loose, damaged or corroded, contact your specialist dealer.

#### 7.5.10.2 Checking the mechanical gear shift

- 1 Change gear a number of times. Check whether the Bowden cables get stuck or they make scraping noises.
  - 2 Check the physical condition of the Bowden cables for visible damage and check to see if wire strands are broken.
- ⇒ Have defective Bowden cables replaced. Contact specialist dealer.

#### 7.5.10.3 Checking derailleur gears

The chain is tensioned by the rear derailleur in pedelecs with derailleur gears.

- 1 Place the pedelec on stand.
  - 2 Check to see if the chain is sagging.
  - 3 Gently press the rear derailleur forwards to check whether it moves and whether it goes back into position by itself.
- ⇒ If the chain is sagging or the rear derailleur does not go back into position by itself, contact your specialist dealer.

- 4 Check that there is clearance between the chain tensioner and spokes.
- ⇒ If there is no clearance or the chain scrapes against the spokes or tyres, contact your specialist dealer.
- 5 Check that there is clearance between the chain or rear derailleur and spokes.
- ⇒ If there is no clearance or the chain scrapes against the spokes, contact your specialist dealer.

#### 7.5.10.4 Checking the hub gear

In the case of pedelecs with a hub gear or back-pedal brake, the chain or the belt is tensioned by an eccentric bearing or movable fork end in the bottom bracket axle. Special tools and specialist knowledge are required to tension the chain. Contact specialist dealer.

- ✓ Remove the chain guard on pedelecs with a circumferential chain guard.

- 1 Place the pedelec on stand.
- 2 Check the chain or belt tension in three or four positions, turning the crank a full revolution.

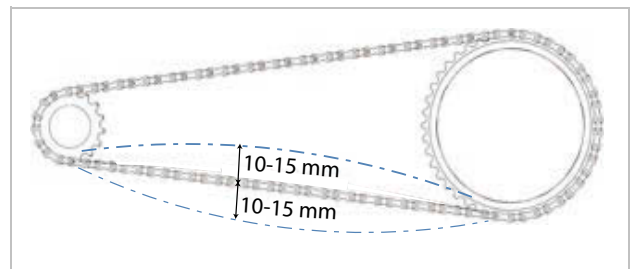


Figure 180: Checking the chain tension (example): 5 mm upwards, 10 mm downwards = 15 mm deviation

- 3 If the chain or the belt can be pushed more than 2 cm, the chain will need to be re-tensioned. Contact specialist dealer.
- ⇒ If the chain or belt can only be pushed up and down less than 1 cm, you will need to the chain or belt slightly. Contact specialist dealer.
- ⇒ The ideal chain and belt tension has been achieved if the chain can be pushed between a maximum of 10 and 15 mm in the middle between the sprocket and the toothed wheel. The crank must also turn without resistance.

### 7.5.10.5 Adjusting the ROHLOFF hub

Only applies to pedelecs with this equipment

- 1 Check whether shift cable tension is set in such a way that there is a perceptible play of around 5 mm when the shift handle is turned.
  - 2 Adjust the shift cable tension by turning the **tension adjuster**.
- ⇒ Unscrew the **tension adjuster** to increase the shift cable tension.
- ⇒ Tighten the **tension adjuster** to decrease the shift cable tension.

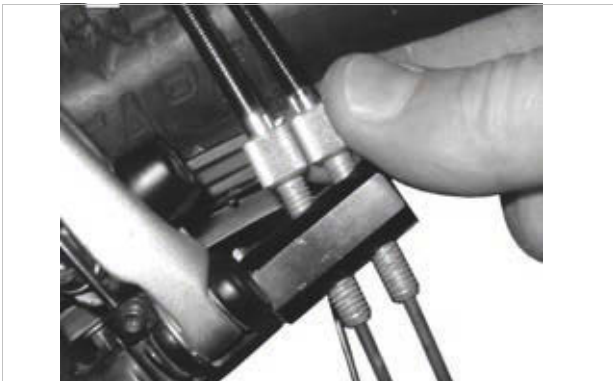


Figure 181: The tension adjuster on ROHLOFF hub versions with internal switch control is located on the tension counter support



Figure 182: The tension adjuster on ROHLOFF hub versions with external switch control is located on the cable box positioned on the left-hand side

- 3 If the marking and numbers on the shift handle do no longer coincide after the gear shift is adjusted, tighten one of the tension adjusters and screw out the other tension adjuster to the same extent.

### 7.5.10.6 Adjusting the cable-operated gear shift, dual-cable

Only applies to pedelecs with this equipment

- ▶ For a smooth gear shift, adjust the **adjusting sleeves** underneath the chain stay on the frame.
- ▶ The shift cable has around 1 mm play when it is pulled out gently.

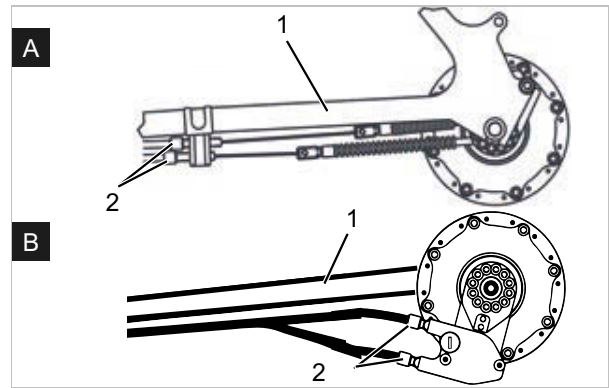


Figure 183: Adjusting sleeves (2) on two alternative versions (A and B) of a dual-cable, Bowden-cable-operated gear shift on the chain stay (1)

### 7.5.10.7 Adjusting the dual-cable, Bowden-cable-operated twist grip shifter

Only applies to pedelecs with this equipment

- ▶ For a smooth gear shift, adjust the **adjusting sleeves** on the shifter housing.
- ⇒ There is noticeable play of 2 to 5 mm (1/2 gear) when you turn the twist grip shifter.

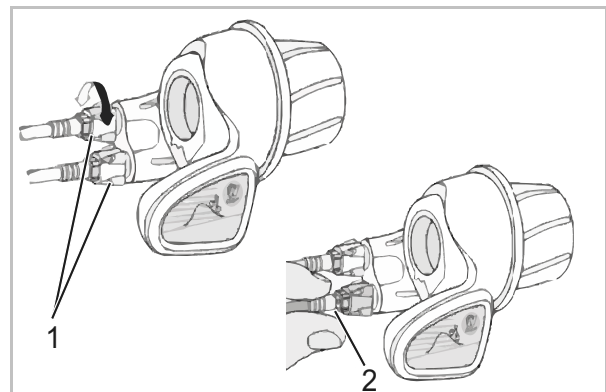


Figure 184: Twist grip shifter with adjusting sleeves (1) with play (2)

### 7.5.10.8 Checking kickstand stability

- 1 Place the pedelec on a slight elevation of 5 cm.
  - 2 Extend kickstand.
  - 3 Jolt pedelec to check stability.
- ⇒ If pedelec topples over, tighten screws or change height of the kickstand.

## 8 Inspection and maintenance

### 8.1 Initial inspection

#### After 200 km or 4 weeks after purchase

Vibrations produced while riding can cause screws and springs that were tightened during pedelec manufacture to settle or come loose.

- ▶ Arrange an appointment for the initial inspection directly when purchasing the pedelec.
- ▶ Have the initial inspection entered and stamped in the maintenance book.



- ▶ Carrying out the initial inspection, see Section 8.4.

### 8.2 Major inspection

#### every six months

You must have your specialist dealer perform a major inspection every six months as a minimum. This is the only way to ensure that the pedelec remains safe and fully functional.

The tasks require technical expertise, special tools and special lubricants. The pedelec may become damaged if the stipulated major inspection and procedures are not carried out. This is why only specialist dealers may carry out the major inspection.

- ▶ Contact your specialist dealer and arrange an appointment.
- ▶ Enter and stamp major inspection tasks in the maintenance book.



- ▶ Perform major inspection.

### 8.3 Component-specific maintenance

High-quality components require extra maintenance. The tasks require technical expertise, special tools and special lubricants. The pedelec may become damaged if the stipulated maintenance intervals and procedures are not carried out. This is why only specialist dealers may carry out maintenance.

Correct maintenance on the fork not only guarantees a long service life, but also ensures optimal performance.

Each maintenance interval shows the maximum cycling hours for the required type of maintenance that the component manufacturer recommends.

- ▶ Optimise performance with shorter maintenance intervals, depending on use, terrain and environmental conditions.



- ▶ Enter any components with extra maintenance requirements with their corresponding maintenance intervals into the maintenance book when the pedelec is purchased.
- ▶ Inform the buyer of the additional maintenance schedule.
- ▶ Enter and stamp maintenance tasks in the maintenance book.



Inspection and maintenance intervals for suspension fork		
<b>SR SUNTOUR suspension fork</b>		
<input type="checkbox"/>	Maintenance 1	Every 50 hours
<input type="checkbox"/>	Maintenance 2	Every 100 hours
<b>FOX suspension fork</b>		
<input type="checkbox"/>	Maintenance	Every 125 hours or once a year
<b>RockShox suspension fork</b>		
<input type="checkbox"/>	<b>Maintenance of stanchions for:</b> Paragon™, XC™ 28, XC 30, 30™, Judy®, Recon™, Sektor™, 35™*, Bluto™, REBA®, SID®, RS-1™, Revelation™, PIKE®, Lyrik™, Yari™, BoXXer	Every 50 hours
<input type="checkbox"/>	<b>Maintenance of spring and damper unit for:</b> Paragon, XC 28, XC 30,30 (2015 and earlier), Recon (2015 and earlier), Sektor (2015 and earlier), Bluto (2016 and earlier), Revelation (2017 and earlier), REBA (2016 and earlier), SID (2016 and earlier), RS-1 (2017 and earlier), BoXXer (2018 and earlier)	Every 100 hours
<input type="checkbox"/>	<b>Maintenance of spring and damper unit for:</b> 30 (2016+), Judy (2018+), Recon (2016+), Sektor (2016+), 35 (2020+)*, Revelation (2018+), Bluto (2017+), REBA (2017+), SID (2017+), RS-1 (2018+), PIKE (2014+), Lyrik (2016+), Yari (2016+), BoXXer (2019+)	Every 200 hours

Inspection and maintenance intervals for seat post		
<b>by.schulz suspension seat post</b>		
<input type="checkbox"/>	Maintenance	After the first 250 km; every 1500 km after that
<b>Eightpins suspension seat post</b>		
<input type="checkbox"/>	Clean wiper	20 hours
<input type="checkbox"/>	Clean slide bushing	40 hours
<input type="checkbox"/>	Replace slide bushing, wiper and felt strip	100 hours
<input type="checkbox"/>	Seal service for gas pressure spring	200 hours
<b>FOX suspension seat post</b>		
<input type="checkbox"/>	Maintenance	Every 125 hours or once a year
<b>KINDSHOCK suspension seat post</b>		
<input type="checkbox"/>	Maintenance	Every 6 months
<b>RockShox dropper post</b>		
<input type="checkbox"/>	Venting of remote control lever and/or maintenance of lower seat post unit for: Reverb™ A1/A2/B1, Reverb Stealth A1/A2/B1/C1*	Every 50 hours
<input type="checkbox"/>	Detach lower seat post, clean brass pins, check and replace if necessary and apply new grease for Reverb AXS™ A1*	Every 50 hours
<input type="checkbox"/>	Venting of remote control lever and/or maintenance of lower seat post unit for: Reverb B1, Reverb Stealth B1/C1*, Reverb AXS™ A1*	Every 200 hours
<input type="checkbox"/>	Complete maintenance of seat post for: Reverb A1/A2, Reverb Stealth A1/A2	Every 200 hours
<input type="checkbox"/>	Complete maintenance of seat post for: Reverb B1, Reverb Stealth B1	Every 400 hours
<input type="checkbox"/>	Complete maintenance of seat post for: Reverb AXS™ A1*, Reverb Stealth C1*	Every 600 hours
<b>SR SUNTOUR suspension seat post</b>		
<input type="checkbox"/>	Maintenance	Every 100 hours or once a year
<b>All other suspension seat posts</b>		
<input type="checkbox"/>	Maintenance	Every 100 hours



Inspection and maintenance intervals for rear frame damper		
RockShox rear frame damper		
<input type="checkbox"/>	Service air chamber assembly	Every 50 hours
<input type="checkbox"/>	Service damper and spring	Every 200 hours
FOX rear frame damper		
<input type="checkbox"/>	Maintenance	Every 125 hours or once a year
SR SUNTOUR rear frame damper		
<input type="checkbox"/>	Complete shock absorber service including damper reassembly and air seal replacement	Every 100 hours

Inspection and maintenance intervals for hub		
SHIMANO 11-speed hub		
<input type="checkbox"/>	Internal oil change and maintenance	1,000 km after start of use, then every 2 years or 2,000 km
All other SHIMANO gear hubs		
<input type="checkbox"/>	Lubricate internal components	Once a year or every 2,000 km
ROHLOFF Speedhub 500/14		
<input type="checkbox"/>	Clean cable box and grease cable drum interior	Every 500 km
<input type="checkbox"/>	Oil change	Every 5,000 km or at least once a year
Pinion		
<input type="checkbox"/>	Maintenance 1 Check drive elements and replace if necessary Clean cable pulley, slide surfaces and gear box interior, epicyclic wheels, etc. thoroughly and grease generously	Every 500 km
<input type="checkbox"/>	Maintenance 2 Replace chain rings and change oil	Every 10,000 km

 **WARNING**
**Injury due to damaged brakes**

Special tools and specialist knowledge are required to repair the brakes. Incorrect or unauthorised assembly can damage the brakes. This may lead to an accident with serious injuries.

- ▶ Only specialist dealers may carry out repairs on brakes.
- ▶ Only carry out work or changes, such as dismantling, sanding or painting, which are permitted and described in the brake operating instructions.

**Injury to the eyes**

Problems may arise if the settings are not made properly and you may sustain serious injuries as a result.

- ▶ Always wear safety glasses during Inspection and maintenance work.

 **CAUTION**
**Crash and falling caused by unintentional activation**

There is a risk of injury if the electric drive system is activated unintentionally.

- ▶ Remove the battery before inspection or maintenance.

**Crash caused by material fatigue**

If the service life of a component has expired, the component may suddenly fail. This may cause a crash with injuries.

- ▶ Have the specialist dealer carry out basic cleaning of the pedelec every six months, preferably at the same time as the required servicing work.

 **CAUTION**
**Hazard for the environment due to toxic substances**

The brake system contains toxic and environmentally harmful oils and lubricants. Such fluids will contaminate if they enter the sewers or groundwater.

- ▶ Dispose of lubricants and oils left over after repairs in an environmentally responsible way in accordance with statutory regulations.

**Notice**

The motor is maintenance-free and only qualified specialist personnel may open it.

- ▶ Never open the motor.

**8.4 Carry out initial inspection**

Incorrectly fastened screws may come loose due to impact. The stem may no longer be firmly fixed in its position as a result. This will cause a crash with injuries.

- ▶ Check the handlebars and the stem quick release system are firmly in position after the first two hours of riding.

Vibrations produced while riding can cause screws and springs that were tightened during manufacture of the pedelec to settle or come loose.

- 1 Check quick release system is fixed in position.
- 2 Check all tightening torques of screws and screw connections.



## 8.5 Perform major inspection

Complying with these inspection and maintenance instructions is the only way to reduce wear on components, increase the operating hours and guarantee safety.

Diagnosis and documentation of current status

Components	Fre- quency	Description			Criteria		Measures if rejected
		Inspection	Tests	Maintenance	Accept- ance	Rejection	
<b>Chassis</b>							
Frame	Once a month	Dirt	...	Section 7.3.4	O.K.	Dirt	Cleaning
	6 months	Maintenance	...	Section 7.4.1	O.K.	Untreated	Wax
	6 months	Check for damage – fracture, scratches	Section 8.6.1	...	O.K.	Damage detected	Take pedelec out of service, new frame as specified in parts list
Carbon frame (optional)	Once a month	Dirt	Section 7.3.4	...	O.K.	Dirt	Cleaning
	6 months	Maintenance	...	Section 7.4.1	O.K.	No wax	Wax
	6 months	Damage to paintwork	Section 8.6.1.1	...	O.K.	Damage to paintwork	Apply paint
	6 months	Damage from impact	Section 8.6.1.1	...	O.K.	Damage from impact	Take pedelec out of service, new frame as specified in parts list
ROCKSHOX Rear frame damper (optional)	6 months	Check for damage, corrosion, fracture	See ROCKSHOX component maintenance instructions	Maintenance as specified by manufacturer  Air chamber assembly group, damper and spring	O.K.	Damage detected	New rear frame damper as specified in parts list
FOX Rear frame damper (optional)	6 months	Check for damage, corrosion, fracture	...	Send to FOX	O.K.	Damage detected	New rear frame damper as specified in parts list
SR SUNTOUR Rear frame damper (optional)	6 months	Check for damage, corrosion, fracture	See SR SUNTOUR component maintenance instructions	Maintenance as specified by manufacturer  Complete shock absorber service including damper reassembly and air seal replacement	O.K.	Damage detected	New rear frame damper as specified in parts list
<b>Steering system</b>							
Handlebars	Once a month	Cleaning	...	Section 7.3.6	O.K.	Dirt	Cleaning
	6 months	Wax	...	Section 7.4.7	O.K.	Untreated	Wax
	6 months	Check mount fastening	Section 7.5.6	...	O.K.	Loose, rust	Tighten screws; new handlebars as specified in parts list if necessary



Components	Fre- quency	Description			Criteria		Measures if rejected
		Inspection	Tests	Maintenance	Accept- ance	Rejection	
Stem	Once a month	Cleaning	...	Section 7.3.5	O.K.	Dirt	Cleaning
	6 months	Wax	...	Section 7.4.6	O.K.	Untreated	Wax
	6 months	Check mount fas- tening	Section 7.5.5 and Section 8.6.4	...	O.K.	Loose, rust	Retighten screws; new stem as specified in parts list if neces- sary
Handles	Once a month	Cleaning	...	Section 7.3.7	O.K.	Dirt	Cleaning
	Once a month	Care	Section 7.4.8	...	O.K.	Untreated	Talcum powder
	before each ride	Wear; check if fas- tened securely	Section 7.1.11	...	O.K.	Missing, wob- bles	Retighten screws, new handles and cov- erings as specified in parts list
Steering head- set	6 months	Clean and check for damage	...	Clean, lubricate and adjust	O.K.	Unclean	Clean and lubricate
Fork (rigid)	6 months	Check for damage, corrosion, fracture	...	Dismount, check, lubricate, refit	O.K.	Damage detected	New fork as specified in the parts list
Carbon fork (optional)	6 months	Check for damage, corrosion, fracture	...	Maintenance as specified by manufacturer  Lubrication, oil change as specified by manufacturer	O.K.	Damage detected	New fork as specified in the parts list
SR SUNTOUR suspension fork (optional)	6 months	Check for damage, corrosion, fracture	...	Maintenance as specified by manufacturer  Lubrication, oil change as specified by manufacturer	O.K.	Damage detected	New fork as specified in the parts list
FOX suspen- sion fork (optional)	6 months	Check for damage, corrosion, fracture	...	Send to FOX	O.K.	Damage detected	New rear frame damper as specified in parts list
RockShox sus- pension fork (optional)	6 months	Check for damage, corrosion, fracture	...	Maintenance as specified by manufacturer  Lubrication, oil change as specified by manufacturer	O.K.	Damage detected	New fork as specified in the parts list
Spinner sus- pension fork (optional)	6 months	Check for damage, corrosion, fracture	...	Maintenance as specified by manufacturer  Lubrication, oil change as specified by manufacturer	O.K.	Damage detected	New fork as specified in the parts list



Components	Fre- quency	Description			Criteria		Measures if rejected
		Inspection	Tests	Maintenance	Accept- ance	Rejection	
<b>Wheel</b>							
Wheel	Before each ride	Concentricity	Section 7.1.7	...	O.K.	Not straight	Re-mount wheel
	6 months	Assembly	Section 7.5.1	...	O.K.	Loose	Adjust quick release
Tyres	Once a month	Cleaning	Section 7.3.10	...	O.K.	Dirt	Cleaning
	Once a week	Tyre pressure	Section 7.5.1.1	...	O.K.	Tyre pressure too low/too high	Adjust tyre pressure
	10 days	Wear	Section 7.3.10	...	O.K.	Worn profile	New tyre as specified in the parts list
Rims	6 months	Wax	...	Section 7.4.10	O.K.	Untreated	Wax
	6 months	Wear	Section 7.5.1.3	...	O.K.	Defective rim	New rim as specified in the parts list
	Once a month	Wear on brake surface	Section 7.5.2.4	...	O.K.	Worn brake surface	New rim as specified in the parts list
Spokes	Once a month	Cleaning	...	Section 7.3.11	O.K.	Dirt	Cleaning
	3 months	Check tension	Section 7.5.1.3	...	O.K.	Loose, tension varies	Re-tension spokes or new spokes as specified in parts list
	6 months	Check rim hooks	Section 7.5.1.3	...	O.K.	Twisted rim hooks	New rim as specified in the parts list
Spoke nipples	Once a month	Cleaning	...	Section 7.3.11	O.K.	Dirt	Cleaning
	Once a month	Wax	...	Section 7.4.13	O.K.	Untreated	Wax
Nipple holes	6 months	Check for cracks	Section 7.5.1.4	...	O.K.	Cracks	New rim as specified in the parts list
Nipple well	Once a year	Check for cracks	Section 7.5.1.5	...	O.K.	Cracks	New rim as specified in the parts list
Hub	Once a month	Cleaning	...	Section 7.3.12	O.K.	Dirt	Cleaning
	Once a month	Care	...	Section 7.4.12	O.K.	Untreated	Treat
Hub with cone bearing (optional)	Once a month	Cleaning	...	Section 7.3.12	O.K.	Dirt	Cleaning
	Once a month	Care	...	Section 7.4.12	O.K.	Untreated	Treat
	6 months	Check mount fastening	...	...	O.K.	Loose, rust	Retighten screws; new handlebars as specified in parts list if necessary
	Once a year	Adjust	...	...	O.K.	Not adjusted	New position



Components	Fre- quency	Description			Criteria		Measures if rejected
		Inspection	Tests	Maintenance	Accept- ance	Rejection	
Hub gear (optional)	Once a month	Cleaning	...	Section 7.3.12	O.K.	Dirt	Cleaning
	Once a month	Care	...	Section 7.4.12	O.K.	Untreated	Treat
	6 months	Check mount fas- tening	...	...	O.K.	Loose, rust	Retighten screws; new handlebars as specified in parts list if necessary
	6 months	Functional check	Section 7.5.10.4	...		incorrect switching	Readjust hub
<b>Saddle and seat post</b>							
Saddle	Once a month	Cleaning		Section 7.3.9	O.K.	Dirt	Cleaning
	6 months	Check mount fas- tening	Section 7.5.7	...	O.K.	Loose	Retighten screws
Leather saddle (optional)	Once a month	Cleaning	...	Section 7.3.9.1	O.K.	Dirt	Cleaning
	6 months	Care	...	Section 7.4.11	O.K.	Untreated	Leather wax
	6 months	Check mount fas- tening	Section 7.5.7	...	O.K.	Loose	Retighten screws
Seat post	Once a month	Cleaning	...	Section 7.3.8	O.K.	Dirt	Cleaning
	6 months	Care	...		O.K.	Untreated	Leather wax
	6 months	Complete clean, check fastening and paint protection film	...	Section 8.6.8	O.K.	Loose	Tighten screws, new paint protection film
Carbon seat post (optional)	Once a month	Cleaning	...	Section 7.3.8	O.K.	Dirt	Cleaning
	6 months	Care	...	Section 7.4.9.2	O.K.	Untreated	Assembly paste
	6 months	Complete clean, check fastening and paint protection film	...	Section 8.6.8.1	O.K.	Loose	Tighten screws, apply new paint protection film; new seat post as specified in parts list if damaged
Suspension seat post (optional)	Once a month	Cleaning	...	...	O.K.	Dirt	Cleaning
	6 months	Care	...	Section 7.4.9.1	O.K.	Untreated	Oils
	100 hours or 6 months	Complete clean, check fastening and paint protection film	Section 8.6.8	...	O.K.	Loose	Tighten screws, new paint protection film
by.schulz sus- pension seat post (optional)	After the first 250 km; every 1500 km after that	Complete clean, check fastening and paint protection film, lubricate	Section 8.6.8.2	...	O.K.	Loose	Tighten screws, apply new paint protection film; new seat post as specified in parts list if damaged
SR SUNTOUR suspension seat post	Every 100 hours or once a year	Complete clean, check fastening and paint protection film, lubricate	Section 8.6.8.3	...	O.K.	Loose	Tighten screws, apply new paint protection film; new seat post as specified in parts list if damaged



Components	Fre- quency	Description			Criteria		Measures if rejected
		Inspection	Tests	Maintenance	Accept- ance	Rejection	
EIGHTPINS NGS2 Suspension seat post	20 hours	Refill oil	...	Section 7.4.19	O.K.	No oil	Refill oil
	20 hours	Clean wiper			O.K.	Dirt	Cleaning
	40 hours	Clean slide bushing			O.K.	Dirt	Cleaning
	100 hours	Replace slide bushing, wiper and felt strip			O.K.	No replacement	Replace
	200 hours	Seal service for gas pressure spring			O.K.	No service	Carry out the service
EIGHTPINS H01 Suspension seat post	20 hours	Refill oil	...	Section 7.4.19	O.K.	No oil	Refill oil
	20 hours	Clean wiper			O.K.	Dirt	Cleaning
	40 hours	Clean slide bushing			O.K.	Dirt	Cleaning
	100 hours	Replace slide bushing, wiper and felt strip			O.K.	No replacement	Replace
	200 hours	Seal service for gas pressure spring			O.K.	No service	Carry out the service
RockShox dropper post	50 hours	Venting	...	See manufacturer	O.K.		
	50 hours	Cleaning	...	See manufacturer	O.K.		
	200 hours	Venting	...	See manufacturer	O.K.		
	200 hours	Complete maintenance	...	See manufacturer	O.K.		
	400 hours	Complete maintenance	...	See manufacturer	O.K.		
	600 hours	Complete maintenance	...	See manufacturer	O.K.		
FOX suspension seat post	Every 125 hours or once a year	Complete maintenance	See manufacturer	At the manufacturer FOX	...	...	
<b>Safety guards</b>							
Belt or chain guards	6 months	Attachment	Check mount fastening	...	O.K.	Loose	Retighten screws
Guard	6 months	Attachment	Check mount fastening	...	O.K.	Loose	Retighten screws
Motor cover	6 months	Attachment	Check mount fastening	...	O.K.	Loose	Retighten screws
<b>Brake system</b>							
Handbrake	6 months	Attachment	Check mount fastening	...	O.K.	Loose	Retighten screws
Brake fluid	6 months	Check fluid level	Depending on time of year	...	O.K.	Too little	Top up brake fluid; take Pedelec out of service if damaged; new brake hoses
Brake linings	6 months	Brake linings, brake discs and rims	Check for damage	...	O.K.	Damage detected	New brake linings, brake discs and rims



Components	Fre- quency	Description			Criteria		Measures if rejected
		Inspection	Tests	Maintenance	Accept- ance	Rejection	
Back-pedal brake braking armature	6 months	Attachment	Check mount fastening	...	O.K.	Loose	Retighten screws
Brake system	6 months	Attachment	Check mount fastening	...	O.K.	Loose	Retighten screws
<b>Lighting system</b>							
Light cabling	6 months	Connections, cor- rect wiring	Check	...	O.K.	Cable defec- tive, no light	New cabling
Rear light	6 months	Side light	Functional check	...	O.K.	No constant light	New rear light as specified in parts list; replace if necessary
Front light	6 months	Side light, daytime riding light	Functional check	...	O.K.	No constant light	New front light as specified in parts list; replace if necessary
Reflectors	6 months	All complete, state, fastening	Check	...	O.K.	Damaged or not all com- plete	New reflectors
<b>Drive/gear shift</b>							
Chain/cassette/ sprocket/chain- ring	6 months	Check for damage	Check for dam- age	...	O.K.	Damage	Refasten if necessary or replace as speci- fied in parts list
Chain guard/ spoke guard	6 months	Check for damage	Check for dam- age	...	O.K.	Damage	Replace as specified in parts list
Bottom bracket axle/crank	6 months	Check mount fas- tening	Check mount fastening	...	O.K.	Loose	Retighten screws
Pedals	6 months	Check mount fas- tening	Check mount fastening	...	O.K.	Loose	Retighten screws
Shifter	6 months	Check mount fas- tening	Check mount fastening	...	O.K.	Loose	Retighten screws
Shift cables	6 months	Check for damage	Check for dam- age	...	O.K.	Loose and defective	Adjust shift cables; new shift cables if necessary
Front derailleur	6 months	Check for damage	Check for dam- age	...	O.K.	Gear shift diffi- cult or not pos- sible	Adjust
Rear derailleur	6 months	Check for damage	Check for dam- age	...	O.K.	Gear shift diffi- cult or not pos- sible	Adjust
<b>Electric drive system</b>							
On-board com- puter	6 months	Check for damage	Check for dam- age	...	O.K.	No screen, defective screen display	Restart, test battery, new software or new on-board computer, decommissioning,
Control panel	6 months	Check control panel for damage	Check for dam- age	...	O.K.	No response	Restart; contact con- trol panel manufac- turer, new control panel
Tachometer	6 months	Calibration	Speed meas- urement	...	O.K.	Pedelec travel- ling 10% too fast/slow	Take pedelec out of service until the source of the error is found
Cabling	6 months	Visual inspection	Visual inspec- tion	...	O.K.	Failure in sys- tem, damage, kinked cables	New cabling





Components	Frequency	Description			Criteria		Measures if rejected
		Inspection	Tests	Maintenance	Acceptance	Rejection	
Rechargeable battery	6 months	First examination	See Section on Assembly	...	O.K.	Error message	Contact battery manufacturer; take out of service, new battery
Battery mount	6 months	Firmly in position, lock, contacts	Check mount fastening	...	O.K.	Loose; lock doesn't close, no contacts	New battery mount
Motor	6 months	Visual inspection and mount	Check mount fastening	...	O.K.	Damage, loose	Refasten motor, contact motor manufacturer, new motor; take out of service
Software	6 months	Check version	Check software version	...	In latest version	Not latest version	Import update
<b>Miscellaneous</b>							
Pannier rack	Before each ride	Stability	Section 7.1.5	...	O.K.	Loose	Firm
	Once a month	Dirt	...	Section 7.3.4	O.K.	Dirt	Cleaning
	6 months	Maintenance	...	Section 7.4.3	O.K.	Untreated	Wax
	6 months	Check fastening and paint protection film	Section 8.5.2	...	O.K.	Loose	Tighten screws, new paint protection film
Kickstands	Once a month	Dirt	...	Section 7.3.4	O.K.	Dirt	Cleaning
	6 months	Maintenance	...	Section 7.4.5	O.K.	Untreated	Wax
	6 months	Attachment	Section 7.5.10.8	...	O.K.	Loose	Retighten screws
	6 months	Stability	Section 7.5.10.8	...	O.K.	Tips over	Change kickstand height
Bell	Before each ride	Sound	Functional check, Section 7.1.10.	...	O.K.	No ring, too quiet, missing	New bell as specified in the parts list
Attachments (optional)	6 months	Attachment	Check mount fastening	...	O.K.	Loose	Retighten screws

### Technical inspection, checking safety, test ride

Components	Description		Criteria		Measures if rejected
	Assembly/inspection	Tests	Acceptance	Rejection	
Brake system	6 months	Functional check	O.K.	No full braking; braking distance too long	Locate defective part in brake system and correct
Gear shift under operating load	6 months	Functional check	O.K.	Problems when shifting gear	Readjust gear shift
Suspension components (fork, shock absorber, seat post)	6 months	Functional check	O.K.	Suspension too deep or no longer exists	Locate defective component and correct
Electric drive system	6 months	Functional check	O.K.	Loose connection, problems when riding, accelerate	Locate faulty component in electric drive and remedy
Lighting system	6 months	Functional check	O.K.	No continuous light, not bright enough	Locate defective part in lighting system and correct
Test ride	6 months	Functional check	No strange noises	Strange noises	Locate source of noise and correct



### 8.5.1 Inspect frame

- 1 Check frame for cracks, warping and damage to the paintwork.
- ⇒ If there are any cracks, warping or damage to the paintwork, remove the pedelec from service. New frame as specified in the parts list.

#### 8.5.1.1 Inspecting the carbon frame

You need to distinguish between scratches on the paintwork and impacts if the carbon frame paintwork is damaged.

- ▶ Ask customer what caused the damage.
- ▶ Examine damage with a magnifying glass to see if fibres are permanently damaged or delamination has taken place.

### 8.5.2 Inspecting the pannier rack

Scratches, cracks and breaks may appear on the pannier rack caused by the panniers and cargo boxes.

- 1 Examine pannier rack for scratches, cracks and breaks.
- ⇒ Replace damaged pannier racks.
- ⇒ If the paint protection film is missing or has worn away, affix a new paint protection film.

### 8.5.3 Inspecting and maintaining the rear frame damper

Only applies to pedelecs with this equipment



**WARNING**

#### Injury due to explosion

The air chamber is pressurised. If the air system is serviced in a rear frame damper, it can explode and cause serious injury.

- ▶ Wear safety goggles, protective gloves and safety clothing when assembling or carrying out maintenance on the bicycle.
- ▶ Release the air for the air chambers. Detach all air insert fitments.
- ▶ Never service or dismantle a rear frame damper if it has not completely rebounded.

#### Intoxication from suspension oil

Suspension oil is poisonous to the touch, irritates respiratory tracts and causes cancer, sterility and mutation in germ cells.

- ▶ Always wear safety goggles and nitrile gloves when carrying suspension oil.
- ▶ Never perform inspection or maintenance when you are pregnant.
- ▶ Use an oil catchment tray under the section where the rear frame damper is being serviced.

#### Intoxication from lubrication oil

The lubrication oil for Eightpins seat posts is toxic if touched or inhaled.

- ▶ Always wear safety goggles and nitrile gloves when working with lubrication oil.
- ▶ Lubricate seat post in the open air or in a well-ventilated room only.
- ▶ Avoid skin coming into contact with lubrication oil. Wear nitrile gloves when lubricating, cleaning and maintaining the vehicle.
- ▶ Use an oil catchment tray under the section where the seat post is serviced.


 **CAUTION**
**Hazard for the environment due to toxic substances**

The rear frame damper contains toxic and environmentally harmful oils and lubricants. Such fluids will contaminate if they enter the sewers or groundwater.

- ▶ Dispose of lubricants and oils left over after repairs in an environmentally responsible way in accordance with statutory regulations.

- 1 Dismantle the rear frame damper.
  - 2 Clean and inspect its interior and exterior.
  - 3 Recondition air springs.
  - 4 Replace airtight seals on air springs.
  - 5 Change oil.
- ⇒ Replace dust wipers.

#### 8.5.4 Inspecting the gear hub

##### 8.5.4.1 Adjusting the hub with cone bearing

In the case of hubs with a cone bearing, the bearing shell fixed in the hub cone body rotates with its larger ball bearing surfaces around the inner bearing cone resting against the fork end. The outer bearing shell rotating around the stationary bearing cone is subject to considerably more evenly distributed loads thanks to its larger ball running surface.

- 1 Attach a small, red colour marking on the lock nut.
  - 2 Turn the wheel axle 40° to 90° every 1,000 to 2,000 km.
- ⇒ The bearing cone is subject to evenly distributed loads.

#### 8.5.5 Inspecting the stem

Incorrectly fastened screws may come loose due to impact. The stem may no longer be firmly fixed in its position as a result. This will cause a crash with injuries.

- ▶ Check the handlebars and the stem's quick release are firmly in position.

#### 8.5.6 Inspect and grease steering headset

- 1 Remove fork.
- 2 Clean steering headset. If it is very dirty, flush the bearing with cleaning agents such as WD-40 or Karamba.
- 3 Check steering headset for damage.
  - ⇒ If the steering headset is damaged, replace steering headset as specified in the parts list.
- 4 Grease steering headset and bearing seat with highly viscous, water-repellent grease (e.g. Dura Ace special grease by SHIMANO).
- 5 Re-fit fork with steering headset as per fork instructions.



### 8.5.7 Inspecting the axle with quick release

#### CAUTION

##### Crash caused by unfastened quick release

A faulty or incorrectly installed quick release may become caught in the brake disc and block the wheel. This will cause a crash.

- ▶ Install the front wheel quick release lever on the opposite side to the brake disc.

##### Crash caused by faulty or incorrectly installed quick release

The brake disc becomes very hot during operation. Parts of the quick release may become damaged as a result. The quick release comes loose. This will cause a crash with injuries.

- ▶ The front wheel quick release lever and the brake disc must be situated on opposite sides.

##### Crash caused by incorrectly set clamping force

Excessively high clamping force will damage the quick release and cause it to lose its function.

Insufficient clamping force will cause a detrimental transmission of force. The suspension fork or the frame may break. This will cause a crash with serious injuries.

- ▶ Never fasten a quick release using a tool (e.g. hammer or pliers).
- ▶ Only use the clamping lever with the specified set clamping force.

- 1 Undo quick release.
- 2 Fasten quick release.
- 3 Check the position and clamping force of the quick release lever.

- ⇒ The quick release lever is flush with the lower housing.
- ⇒ You should be able to see slight impression on the palm of your hand when you close the quick release lever.



Figure 185: Adjusting the quick release clamping force

- 4 Use a 4 mm hexagon socket spanner to adjust the clamping lever clamping force if required.
- 5 Check the quick release lever position and clamping force again.

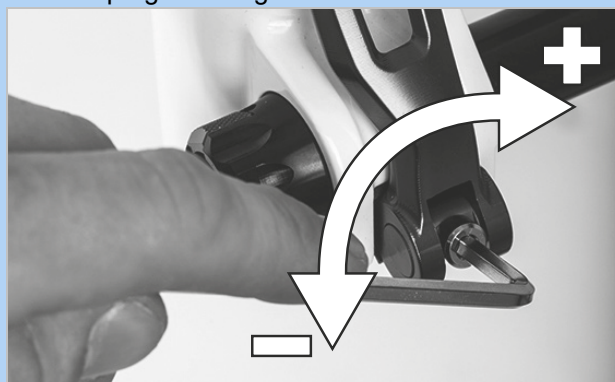


Figure 186: Adjusting the quick release clamping force



### 8.5.8 Inspecting the fork

#### WARNING

##### Injury due to explosion

The air chamber is pressurised. When the air system in a faulty suspension fork is maintained, it may explode and cause serious injury.

- ▶ Wear safety goggles, protective gloves and safety clothing when assembling or carrying out maintenance on the bicycle.
- ▶ Release the air for the air chambers. Detach all air insert fitments.
- ▶ Never service or dismantle a suspension fork if it has not completely rebounded.

#### CAUTION

##### Hazard for the environment due to toxic substances

The suspension fork contains toxic and environmentally harmful oils and lubricants. Such fluids will contaminate if they enter the sewers or groundwater.

- ▶ Dispose of lubricants and oils left over after repairs in an environmentally responsible way in accordance with statutory regulations.

- 1 Remove fork.
- 2 Check fork for cracks, warping and damage to the paintwork.
  - ⇒ If there are any cracks, warping or damage to the paintwork, remove the pedelec from service. New fork as specified in the parts list.
- 3 Clean inside and exterior.
- 4 Grease fork.
- 5 Install fork.

### 8.5.8.1 Inspecting the carbon suspension fork

Only applies to pedelecs with this equipment

- 1 Remove fork.
- 2 Check fork for cracks, warping and damage to the paintwork.
- 3 You need to distinguish between scratches on the paintwork and impacts if the carbon suspension fork paintwork is damaged.
  - ▶ Ask customer what caused the damage.
  - ▶ Examine damage with a magnifying glass to see if fibres are permanently damaged or delamination has taken place.

### 8.5.8.2 Inspecting the suspension fork

Only applies to pedelecs with this equipment

- 1 Remove fork.
- 2 Check fork for cracks, warping and damage to the paintwork.
  - ⇒ If there are any cracks, warping or damage to the paintwork, remove the pedelec from service. New fork as specified in the parts list.
- 3 Dismantle suspension fork.
- 4 Lubricate dust seals and slide bushings.
- 5 Check torques.
- 6 Clean inside and exterior.
- 7 Grease fork.
- 8 Install fork.
- 9 Adjust suspension fork (see Section 6.3.14).



### 8.5.9 Inspecting the seat post



#### WARNING

#### Intoxication from lubrication oil

The lubrication oil for Eightpins seat posts is toxic if touched or inhaled.

- ▶ Always wear safety goggles and nitrile gloves when working with lubrication oil.
- ▶ Lubricate seat post in the open air or in a well-ventilated room only.
- ▶ Avoid skin coming into contact with lubrication oil. Wear nitrile gloves when lubricating, cleaning and maintaining the vehicle.
- ▶ Use an oil catchment tray under the section where the seat post is serviced.

- 1 Remove seat post from the frame.
- 2 Clean seat post on the inside and outside.
- 3 Examine seat post rack for scratches, cracks and fractures.
  - ⇒ Replace damaged seat post as specified in the parts list.
- 4 Fit seat post as per height specifications in the pedevec pass.

#### 8.5.9.1 Inspecting the carbon seat post

Only applies to pedevecs with this equipment

You need to distinguish between impacts and scratches on the paintwork if the carbon seat post paintwork is damaged.

- ▶ Ask customer what caused the damage.
- ▶ Examine damage with a magnifying glass to see if fibres are permanently damaged or delamination has taken place.

### 8.5.9.2 Inspecting and greasing BY.SCHULZ suspension seat post

Only applies to pedevecs with this equipment

- 1 Remove seat post from the frame.
- 2 Remove safety and protective cover.
- 3 Clean seat post on the inside and outside.
- 4 Examine seat post rack for scratches, cracks and fractures.
  - ⇒ Replace damaged seat post as specified in the parts list.
- 5 Lubricate screws in the parallel suspension.
- 6 Reinsert seat post as per height specifications in the pedevec pass. Check screws for correct tightening torques.

<input type="checkbox"/>	<b>Torques G1</b> M8 seat clamp screw M5 fixing grub screws	20 ... 24 Nm 3 Nm
--------------------------	---	----------------------

<input type="checkbox"/>	<b>Torque G2</b> M6 seat clamp screw M5 fixing grub screws	12 ... 14 Nm 3 Nm
--------------------------	--	----------------------

- 7 Put on safety and protective cover.



### 8.5.9.3 Inspecting and greasing RS SUNTOUR suspension seat post

Only applies to pedelecs with this equipment

- 1 Remove seat post from the frame.
- 2 Remove safety and protective cover.
- 3 Examine seat post rack for scratches, cracks and fractures.
  - ⇒ Replace damaged seat post as specified in the parts list.
  - ⇒ If the paint protection film protecting a child seat is missing or has worn away, affix a new paint protection film.
- 4 Undo preload adjuster and take out steel suspension.
- 5 Clean seat post on inside and outside.
- 6 Grease seat post on inside with SR SUNTOUR grease no. 9170-001.
- 7 Lubricate pressure roller with bicycle chain oil.
  - ▶ Lubricate articulated joints in parallel suspension with bike chain oil.



Figure 187: SR SUNTOUR suspension seat post lubrication points

- 8 Reinsert seat post as per height specifications in the pedelec pass.
- 9 Check screws for correct tightening torques.

<input type="checkbox"/>	<b>SR SUNTOUR suspension seat post torques</b> Seat clamp screw M5 fixing grub screws	15–18 Nm 3 Nm
--------------------------	---	------------------

- 10 Put on safety and protective cover.

## 9 Troubleshooting, fault clearance and repair

### 9.1 Troubleshooting and fault clearance

**15** Contact your specialist dealer if the drive system won't start.

The control panel indicates whether a critical or less critical error has arisen in the drive system.

The error messages generated by the drive system can be read in the eBike Flow app and by the specialist dealer.

The rider can use a link in the eBike Flow app to display all information on errors and assistance on eliminating errors.

#### 9.1.1 Drive system or on-board computer does not start up

If the on-board computer and/or the drive system do not start up, proceed as follows:

- 1 Check whether the battery is switched on. If not, start the battery.
- ⇒ Contact your specialist dealer if the battery level indicator LEDs do not light up.
- 2 If the LEDs on the Battery Level indicator light up, but the drive system does not start, remove the battery.
- 3 Insert the battery.
- 4 Start the drive system.
- 5 If the drive system does not start up, remove the battery.
- 6 Clean all the contacts with a soft cloth.
- 7 Insert the battery.
- 8 Start the drive system.
- 9 If the drive system does not start up, remove the battery.
- 10 Fully charge the battery.
- 11 Insert the battery.
- 12 Start the drive system.
- 13 If the drive system does not start, press the **On-Off button (control panel)** for at least 8 seconds.
- 14 If the drive system does not start after about 6 seconds, press the **On-Off button (control panel)** for at least 2 seconds.



## 9.1.2 Errors in assistance function

Symptom	Cause	Remedy
Assistance is not available.	Is the battery charged sufficiently?	<ol style="list-style-type: none"> <li>1 Check battery is charged.</li> <li>2 Recharge the battery if it is almost flat.</li> </ol>
	Is the system switched on?	<p>▶ Press <b>On-Off button (battery)</b>.</p> <p>⇒ The drive system starts.</p>
	Is the level of assistance set to [OFF]?	<ol style="list-style-type: none"> <li>1 Set the assistance mode to a different level of assistance than [OFF].</li> <li>2 Contact your specialist dealer if you still feel that the no assistance is being supplied.</li> </ol>
	The rechargeable battery, on-board computer or assistance switch may be connected incorrectly, or one or more of them may have a problem.	▶ Contact specialist dealer.
	Are the pedals being pushed?	<p>The pedelec is not a motorbike.</p> <p>▶ Push the pedals.</p>
	Is the speed too high?	<p>The electronic gear assistance is only active up to a maximum speed of 25 km/h.</p> <p>▶ Check on-board computer indicators.</p>
	Is the lock function activated?	▶ Use suitable on-board computer.
	The battery may become too hot during rides at high temperatures, up long inclines or when carrying a heavy load for a long time.	<ol style="list-style-type: none"> <li>1 Switch off the drive system.</li> <li>2 Leave pedelec to cool down.</li> <li>3 Start the drive system.</li> </ol>
The assisted journey distance is too short.	Is the battery fully charged?	<ol style="list-style-type: none"> <li>1 Check charge level.</li> <li>2 Recharge the battery if it is almost flat.</li> </ol>
	The battery does not perform as well in winter weather.	This does not indicate a problem.
	The journey distance can be shorter depending on the road conditions, the gear level and the entire light usage time.	This does not indicate a problem.
	The battery is a consumable. Repeated charging and long periods of use cause the battery to degrade (loss of power).	<p>If the distance covered with a fully charged battery has become shorter, the battery may be affected.</p> <p>▶ Replace old battery with new one.</p>
It is difficult to pedal.	Are the tyres pumped to an adequate pressure?	1 Pump up tyres.
	Is the level of assistance set to [OFF]?	<ol style="list-style-type: none"> <li>1 Set level of assistance to [HIGH], [STD], [ECO] or [AUTO].</li> <li>2 Contact your specialist dealer if the pedals are still stiff.</li> </ol>
	Is the battery fully charged?	<ol style="list-style-type: none"> <li>1 Check charge level.</li> <li>2 Recharge the battery if it is almost flat.</li> </ol>
	Have you switched on the system with your foot on the pedal?	<ol style="list-style-type: none"> <li>1 Switch system on again without applying pressure to the pedal.</li> <li>2 Contact your specialist dealer if the pedals are still stiff.</li> </ol>

Table 60: Error solution for assistance system

## 9.1.3 Battery errors

Symptom	Cause	Remedy
The battery discharges very quickly.	The battery may be at the end of its useful life.	► Replace old battery with new one.
The battery cannot be recharged.	Is the charger mains plug firmly connected to the socket?	<ol style="list-style-type: none"> <li>1 Disconnect the charger mains plug and plug it in again.</li> <li>2 Start charging.</li> <li>3 If the battery still won't recharge, contact your specialist dealer.</li> </ol>
	Is the charger plug firmly connected to battery?	<ol style="list-style-type: none"> <li>1 Disconnect the charger plug and plug it in again.</li> <li>2 Start charging.</li> <li>3 If the battery still won't recharge, contact your specialist dealer.</li> </ol>
	Is the adapter firmly connected to the charger plug or the battery's charging port?	<ol style="list-style-type: none"> <li>1 Connect the adapter firmly to the charger plug or the battery charging port.</li> <li>2 Start charging.</li> <li>3 If the battery still won't recharge, contact your specialist dealer.</li> </ol>
	Is the connection terminal for the charger, charger adapter or batteries dirty?	<ol style="list-style-type: none"> <li>1 Wipe with a dry cloth to clean the connection terminals.</li> <li>2 Start charging.</li> <li>3 If the battery still won't recharge, contact your specialist dealer.</li> </ol>
The battery does not start charging when the charger is connected.	The battery may be at the end of its useful life.	► Replace old battery with new one.
The battery and charger become hot.	Has the battery or charger temperature exceeded the operating temperature range?	<ol style="list-style-type: none"> <li>1 Interrupt charging process.</li> <li>2 Leave battery and charger to cool down.</li> <li>3 Start charging.</li> </ol> <p>⇒ If the battery becomes too hot to touch, there might be a problem with the battery.</p> <ol style="list-style-type: none"> <li>4 Contact specialist dealer.</li> </ol>
The charger is hot.	If the charger is used continuously to charge batteries, it may become hot.	<ol style="list-style-type: none"> <li>1 Interrupt charging process.</li> <li>2 Leave charger to cool down.</li> <li>3 Start charging.</li> </ol>
The LED on the charger does not light up.	The LED on the charger will go out when the battery is fully charged.	This is not a malfunction.
	Is the charger plug firmly connected to battery?	<ol style="list-style-type: none"> <li>1 Check connection for any contaminants.</li> <li>2 Insert charger plug.</li> <li>3 If the battery still won't recharge, contact your specialist dealer.</li> </ol>
	Is the battery fully charged?	<ol style="list-style-type: none"> <li>1 Disconnect charger mains plug.</li> <li>2 Insert mains plug again.</li> <li>3 Start charging.</li> <li>4 Contact your specialist dealer if the LED on the charger still doesn't light up.</li> </ol>
The battery cannot be removed.		► Contact your specialist dealer.
The battery cannot be inserted.		► Contact specialist dealer.
Fluid is leaking from the battery.		► Observe all the warnings in Section 2 Safety.

Table 61: Error solution for battery

Symptom	Cause	Remedy
There is an unusual smell.		<ol style="list-style-type: none"> <li>1 Remove from the battery immediately.</li> <li>2 Contact the fire service immediately.</li> <li>3 Observe all the warnings in Section 2 Safety.</li> </ol>
Fumes are emitted from the battery.		<ol style="list-style-type: none"> <li>1 Remove from the battery immediately.</li> <li>2 Contact the fire service immediately.</li> <li>3 Observe all the warnings in Section 2 Safety.</li> </ol>

Table 61: Error solution for battery

### 9.1.4 Display screen errors

Symptom	Cause	Remedy
No data are shown on the display screen if you press the <b>on-off button (battery)</b> .	The battery charge level may be insufficient.	<ol style="list-style-type: none"> <li>1 Charge the battery.</li> <li>2 Switch on the power.</li> </ol>
	Is the power switched on?	▶ Press the <b>On-Off button (battery)</b> to switch the power on.
	Is the battery charged?	If the battery is fitted to the pedelec and is being charged, it cannot be switched on. ▶ Interrupt charging.
	Is the connector fitted to the power cable correctly?	<ol style="list-style-type: none"> <li>1 Check whether the connector is fitted to the power cable correctly.</li> <li>2 If the connector is not fitted correctly, contact your specialist dealer.</li> </ol>
	A component may be connected which the system is unable to recognise.	▶ Contact specialist dealer.
The gear level is not shown on the display screen.	The gear level is only shown if the electronic gear shift is used.	<ol style="list-style-type: none"> <li>1 Check that the power cable connector has not been disconnected.</li> <li>2 If this is not the case, contact your specialist dealer.</li> </ol>
The settings menu cannot be opened while you are pedalling.	The product is designed in such a way that the settings menu cannot be opened if the system detects that someone is riding the pedelec. This is not a malfunction.	<ol style="list-style-type: none"> <li>1 Stop the pedelec.</li> <li>2 Change settings when stationary only.</li> </ol>
The lock function cannot be set up or switched off.	It may be a firmware error.	▶ Contact specialist dealer.
The connect account has been deleted or deactivated and the lock function is still activated.	...	▶ Contact specialist dealer.

Table 62: On-board computer error solution

### 9.1.5 Lighting does not work

Symptom	Cause	Remedy
Front lamp or rear lamp does not go on, even when the switch is pressed.	The basic settings in the electric drive system have probably been configured incorrectly.	<ol style="list-style-type: none"> <li>1 Take pedelec out of service immediately.</li> <li>2 Contact specialist dealer.</li> </ol>
	The light is defective.	

Table 63: Lighting error solution

### 9.1.6 Other errors

Symptom	Cause	Remedy
Two beeps will sound if a switch is pressed but the switch cannot be operated.	Pressed switch mode has been deactivated.	▶ This is not a malfunction.
Three beeps are sounded.	A fault or warning has occurred.	▶ This occurs when a warning or an error is shown on the on-board computer. Follow the instructions for the code in Section 6.2 System Messages.
If an electronic gear shift is used, pedal assistance becomes less effective when the gear is changed.	This is because the computer sets the pedal assistance to the optimum level.	▶ This is not a malfunction.
A noise can be heard after switching.		▶ Contact specialist dealer.
It is normal to hear a noise coming from the rear wheel when cycling as normal.	The gear shift setting may not have been made properly.	▶ Contact specialist dealer.
If the pedelec is brought to a stop the pedelec, the gear transmission does not switch to the position pre-configured in the functional feature.	You may have applied too much pressure on the pedals.	▶ Press on the pedals only gently to make it easier to change the transmission.

**Table 64: Other drive system errors**

### 9.1.7 Lighting does not work

Symptom	Cause	Remedy
The front light or rear light does not go on, even when the switch is pressed.	The default settings in the electric drive system have probably been configured incorrectly. The light is defective.	<b>3</b> Take pedelec out of service immediately. <b>4</b> Contact your specialist dealer.

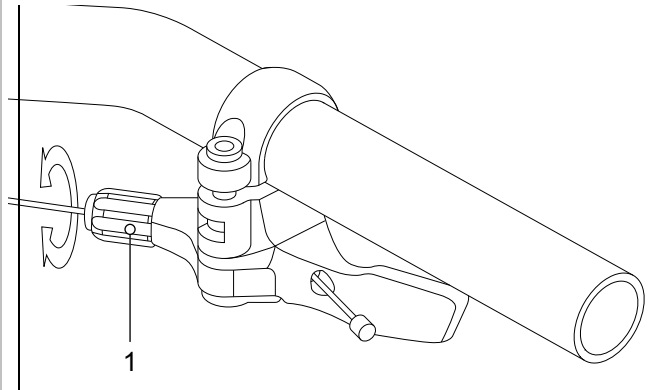
**Table 65: Lighting fault solution**

### 9.1.8 Problems with the tyres

Symptom	Cause	Remedy
Valve torn off.	Presta valve used with a sizeable valve hole. The hole's metal edge separates the valve stem from the tube	► Contact your specialist dealer. Fit another type of valve.

**Table 66: Fault solution for tyres**

### 9.1.9 Problems with the seat post

Symptom	Cause	Remedy
Seat post clicks or creaks	Protective layer missing.	Service seat post (see Section #)
Seat post deflects and bobs periodically	Incorrect pre-tensioning	Adjust pre-tensioning so that the suspension seat post does not deflect under the rider's weight when at rest.
Seat post with remote control does not rise or lower.	Bowden cable is not tensioned correctly.	► Adjust the Bowden cable with the setting screw (1) on the remote control.  <p><b>Figure 188: Remote control with setting screw (1)</b></p> <ul style="list-style-type: none"> <li>• Reduce sensitivity: turn setting screw clockwise.</li> <li>• Increase sensitivity: turn setting screw anti-clockwise.</li> </ul>

**Table 67: Fault solution for the seat post**

## 9.1.10 RockShox suspension fork

### 9.1.10.1 Rebound too fast

The suspension fork rebounds too quickly, producing a "pogo stick" effect, where the wheel lifts from the ground in an uncontrolled way. This impairs traction and control (blue line).

Fork head and handlebars are deflected upwards if the wheel bounces back from the ground. Body weight may be thrown up and backwards in an uncontrolled way (green line).



Figure 189: Suspension fork rebounding too quickly

### Solution

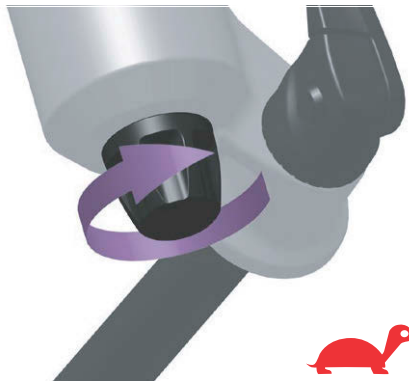


Figure 190: Turning the rebound screw damper towards tortoise symbol

- ▶ Turn the rebound screw clockwise towards the tortoise symbol.
- ⇒ The rebound speed is decreased (slower return).

### 9.1.10.2 Rebounding too slowly

The fork does not rebound quickly enough after absorbing a bump. The fork also remains deflected over subsequent bumps, which reduces deflection and increases the hardness of impacts. Available deflection, traction and control decrease (blue line).

The fork remains in a deflected state, causing the headset and handlebars to move to a lower position. Body weight is shifted forward after the impact (green line).

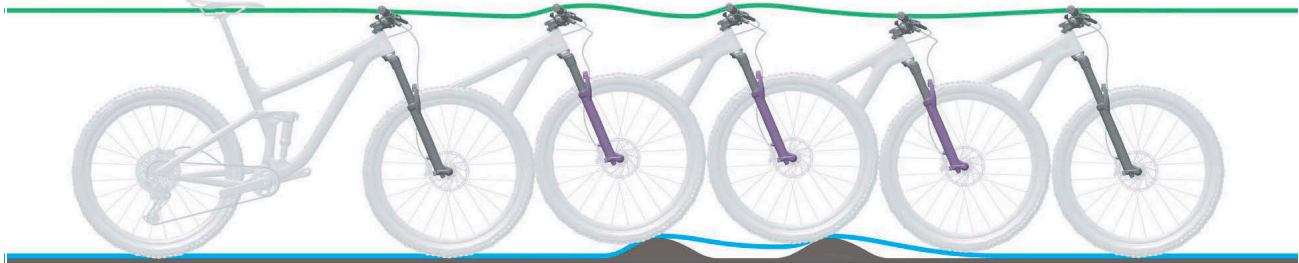


Figure 191: Suspension fork rebounding too slowly

#### Solution

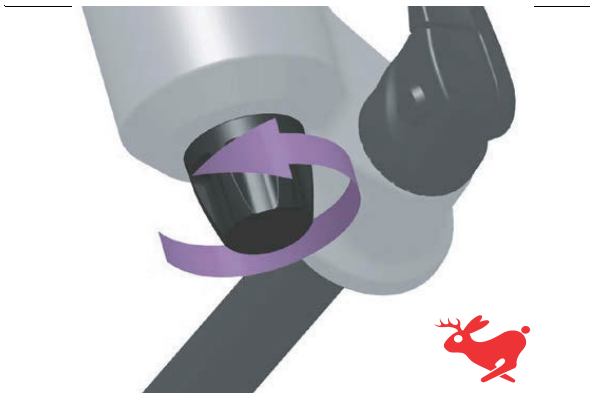


Figure 192: Turning the rebound screw damper towards hare symbol

- ▶ Turn the rebound screw anti-clockwise towards the hare symbol.
- ⇒ The rebound speed is increased (fast return).

### 9.1.10.3 Suspension too soft on inclines

The fork deflects at a low point in the terrain. The deflection is quickly used up, body weight shifts forward, and the pedelec loses some momentum.

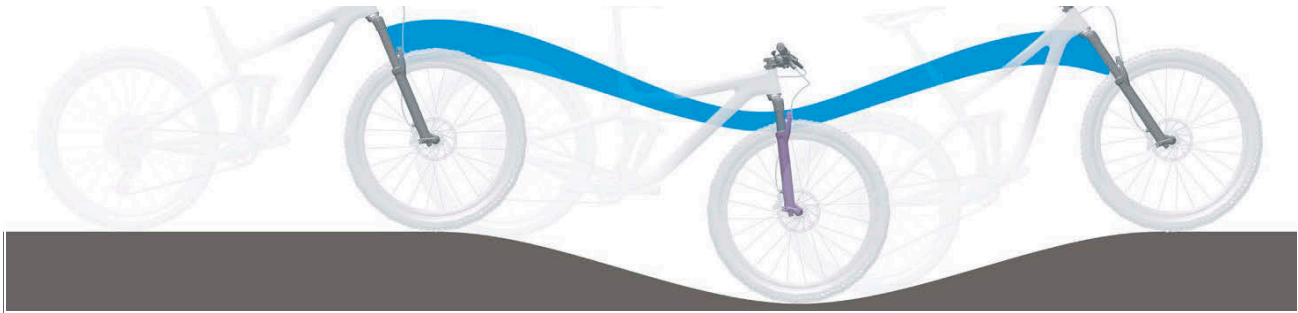


Figure 193: Excessively soft suspension in the suspension fork on hilly terrain

### Solution



Figure 194: Changing compression adjuster to a harder setting

- ▶ Turn compression adjuster clockwise.
- ⇒ The damping and compression hardness is increased, and the deflection stroke speed is reduced. Efficiency on hilly and flat terrain is improved.



#### 9.1.10.4 Excessively hard damping on bumps

When the bike hits a bump, the fork deflects too slowly and the wheel lifts up from the bump. Traction decreases when the wheel no longer touches the ground.

The headset and handlebars are deflected upwards significantly, which can impair control.



Figure 195: Excessively hard damping in the suspension fork on bumps

#### Solution



Figure 196: Adjust the compression adjuster so that it is softer

- ▶ Turn **compression adjuster** anti-clockwise.
- ⇒ The damping and compression hardness is reduced and the deflection stroke speed is increased. Sensitivity to small bumps is increased.

## 9.1.11 Correcting faults in the ROCKSHOX rear frame damper

### 9.1.11.1 Rebound too fast

The rear frame damper rebounds too quickly, producing a "pogo stick" effect or causing the bike to bounce after the wheel hits a bump and lands on the ground again. This impairs traction and control due to the uncontrolled speed at which the damper rebounds after deflecting (blue line).

Saddle and handlebars are deflected upwards when the wheel bounces back from the ground. The rider's body weight may be shifted upwards and forwards if the damper fully rebounds too quickly (green line).



Figure 197: Rear frame damper rebounding too quickly

### Solution

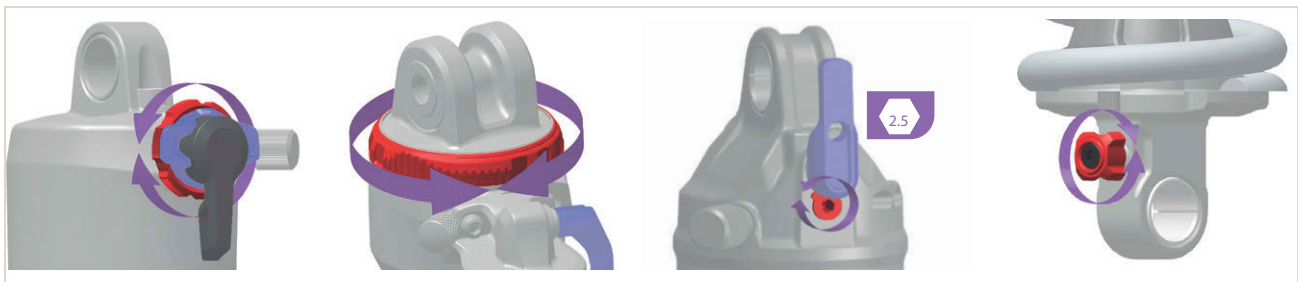


Figure 198: Position and shape of the rebound adjuster (rear frame damper) (red) depends on the model

- ▶ Turn **rebound adjuster (rear frame damper)** clockwise.
- ⇒ Rebound damping is increased. The rebound speed is reduced and traction and control is increased.

### 9.1.11.2 Rebounding too slowly

The rear frame damper does not rebound quickly enough after a bump has been compensated and is not in the required initial position when the wheel hits the next bump. The rear frame damper remains compressed during successive bumps, thus reducing deflection and ground contact and increasing hardness on the next impact. The rear wheel bounces off the second bump since the rear frame damper does not rebound quickly enough to make contact with the ground and return to the initial position again. The available deflection and traction are reduced (blue line).

The rear frame damper remains in a deflected state after contact with the first bump. When the rear wheel hits the second bump, the saddle follows the path of the rear wheel instead of remaining in a horizontal position. The available deflection and potential absorption of bumps are reduced, which causes instability and loss of control during successive bumps (green line).

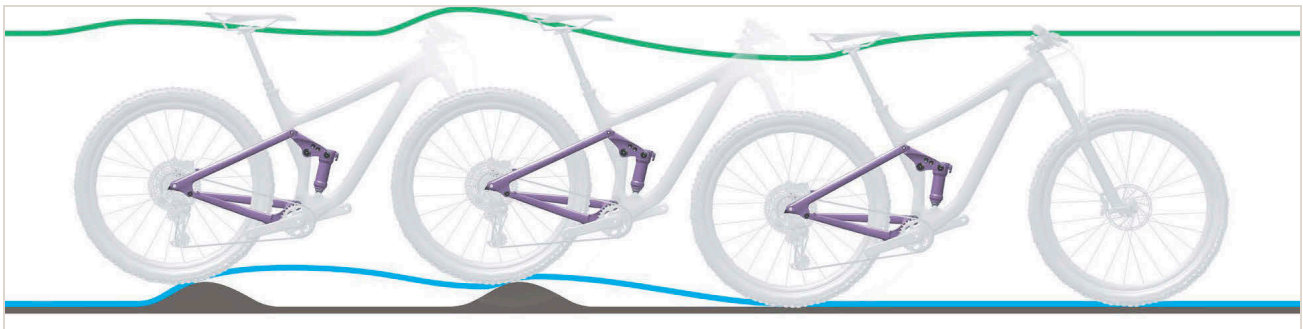


Figure 199: Rear frame damper rebounding too slowly

### Solution

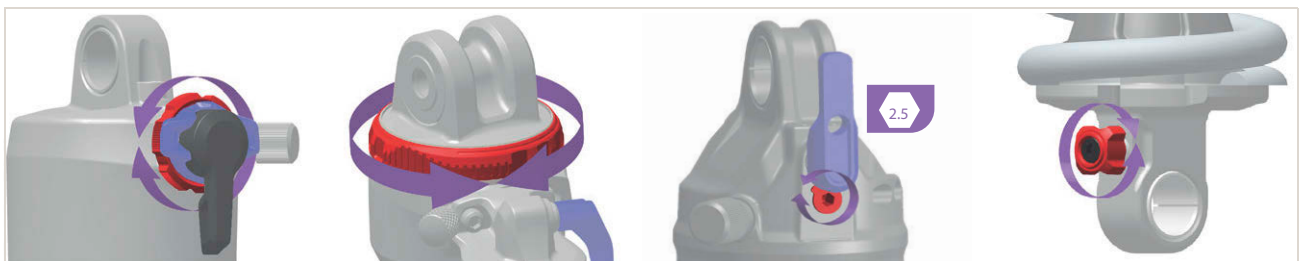


Figure 200: Position and shape of the rebound adjuster (red) depends on the model

- ▶ Turn **rebound adjuster** in an anti-clockwise direction.
- ⇒ Rebound damping is reduced. The rebound speed is increased. Performance while riding over bumps is improved.

### 9.1.11.3 Suspension too soft on inclines

The rear frame damper deflects deeply through the deflection range. Deflection is quickly used up,

to the pedelec rider's weight shifts forward and the pedelec loses some momentum.



Figure 201: Excessively soft suspension in the rear frame damper on hilly terrain

### Solution

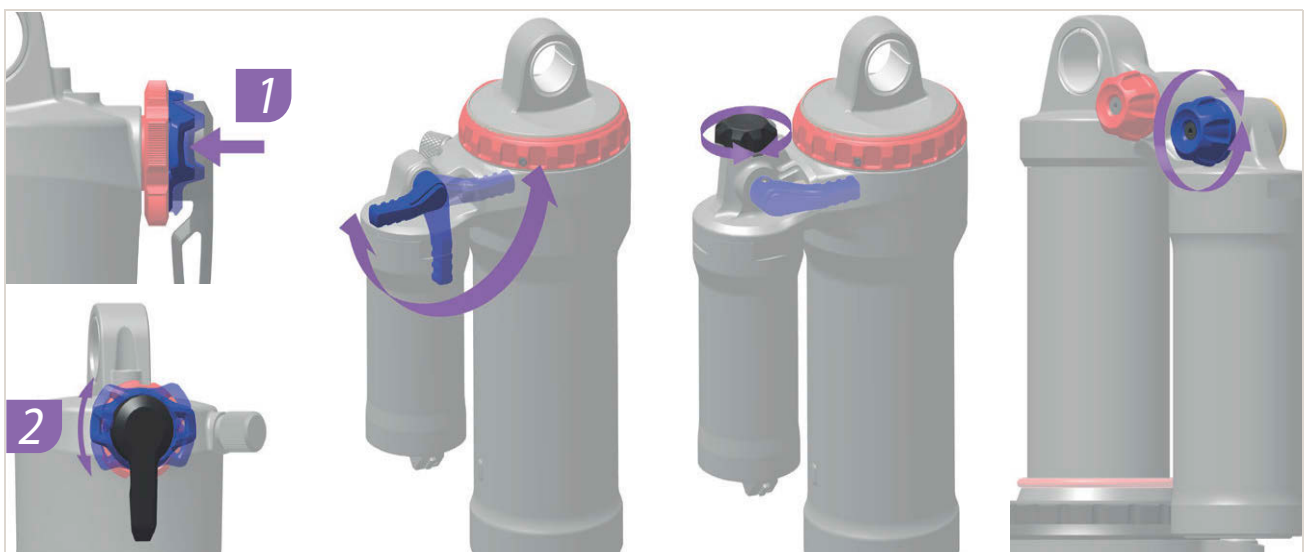


Figure 202: Position and shape of the compression adjuster (blue) depends on the model

- ▶ Turn the **compression adjuster** clockwise.
- ⇒ The damping and compression stroke hardness is increased while the deflection stroke speed is reduced.

#### 9.1.11.4 Excessively hard damping on bumps

When the bike hits a bump, the damper deflects too slowly and the rear wheel lifts up from the bump. Traction is reduced (blue line).

Saddle and pedelec rider are deflected upwards and forwards, the rear wheel loses contact with the ground and control is reduced (green line).



Figure 203: Excessively hard damping in the rear frame damper on bumps

#### Solution

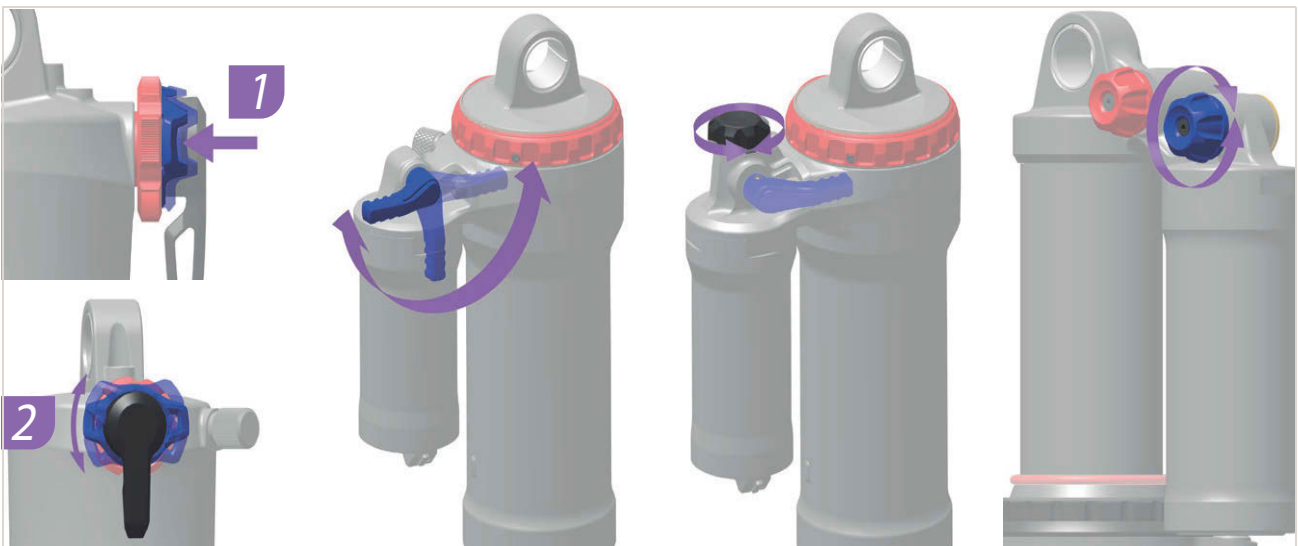


Figure 204: Position and shape of the compression adjuster (blue) depends on the model

- ▶ Turn the **compression adjuster** anti-clockwise.
- ⇒ The damping and compression stroke hardness is reduced and the deflection stroke speed is increased. Sensitivity to small bumps is increased.



## 9.2 Repairs at the specialist dealer

Expert knowledge and special tools are required for many repairs. For this reason, repairs may only be carried out at a specialist dealer. These include:

- Replacing tyre, tube and spokes
- Replace brake linings, rims and brake discs
- Replace and tension the chain.

### 9.2.1 Original parts and lubricants

The individual pedelec parts have been carefully selected and matched to one other.

Only original parts and lubricants must be used for inspection and repair.

The constantly updated accessory approval and parts lists are in Section 11, Documents and Drawings.

- ▶ Follow the operating instructions for the new components.

### 9.2.2 Repairing the frame

#### 9.2.2.1 Removing paint damage on frame

- 1 Gently sand paintwork damage with 600-grit sandpaper.
- 2 Smooth edges.
- 3 Apply one or two coats of repair paint.

#### 9.2.2.2 Removing damage from impact on the carbon frame

There may be damage to the laminate beneath the paintwork in the case of impact. The frame may break even under light stress.

- 1 Take pedelec out of service.
- 2 Send frame to a fibre composite repair company or purchase new frame as specified in the parts list.

### 9.2.3 Repairing the suspension fork

#### 9.2.3.1 Removing paint damage on the fork

- 1 Gently sand paintwork damage with 600-grit sandpaper.
- 2 Smooth edges.
- 3 Apply one or two coats of repair paint.

#### 9.2.3.2 Removing damage from impact on the carbon frame

There may be damage to the laminate beneath the paintwork in the case of impact. The fork may break even under light stress.

- ▶ Take pedelec out of service. New fork as specified in the parts list.

⇒ The fork must be free from any defects.

- 4 Clean inside and exterior.
- 5 Grease fork.
- 6 Install fork.

#### 9.2.3.3 Repairing the seat post

Repairing paint damage on the seat post.

- 1 Gently sand paintwork damage with 600-grit sandpaper.
- 2 Smooth edges.
- 3 Apply one or two coats of repair paint.

#### 9.2.3.4 Repairing damage from impact on the carbon seat post

There may be damage to the laminate beneath the paintwork in the case of impact. The carbon seat post may break even under light stress.

- 1 Take pedelec out of service.
- 2 New carbon seat post as specified in parts list.



### 9.2.4 Replacing the riding light

- ▶ Only use components in the corresponding power class for replacement.

### 9.2.5 Adjusting the headlight

- ▶ The *headlight* must be positioned so that its light beam shines on the road 10 m in front of the pedelec (see Section 6.4).

### 9.2.6 Checking suspension fork-tyre clearance

The tyre clearance needs to be checked each time a suspension fork tyre is replaced.

- 1 Release pressure from the suspension fork.
- 2 Press suspension fork together fully.
- 3 Measure the gap between the top of the tyre and the fork crown's lower surface. The gap must not be less than 10 mm. If the tyre is too large, the tyre will touch the lower surface of the fork crown when the fork is fully pressed together.
- 4 Release pressure on the suspension fork and pump it up again if it is an air suspension fork.
- 5 Take into account the fact that the gap will be smaller if there is a guard. Check again to ensure that there is sufficient clearance for the tyre.



## 9.2.7 Replacing pedelec components if lock function is installed

### 9.2.7.1 Replacing a smartphone

- 1 Install Bosch eBike connect app on the new smartphone.
  - 2 Log on using the same account which was used to activate the lock function.
  - 3 Connect on-board computer with the smartphone while the on-board computer is in use.
- ⇒ The lock function is shown as set up in the BOSCH eBike Connect app.

### 9.2.7.2 Replacing the on-board computer

- Connect on-board computer with the smartphone while the on-board computer is in use.
- ⇒ The lock function is shown as set up in the BOSCH eBike Connect app.

### 9.2.7.3 Activating the lock function after motor replacement

- ✓ The lock function is displayed as deactivated in the eBike Connect app when the motor has been replaced.
- 1 Open the <My eBike> menu item in the eBike Connect app.
  - 2 Push the <Lock function> slider to the right.
- ⇒ The drive unit assistance can now be deactivated by removing the on-board computer.



## 10 Recycling and disposal



This device is marked according to the European Directive 2012/19/EU on waste electrical and electronic equipment – WEEE and the European



Directive 2006/66/EC on accumulators. The directive provides the framework for the return and recycling of used devices

across the EU. Consumers are legally required to return all used batteries of any type. It is forbidden to dispose of batteries in domestic waste.

The battery manufacturer is legally obliged to take back used and old batteries free of charge according to Section 9 German Batteries Act. The pedelec frame, battery, motor, on-board computer and charger are recyclable materials. You must dispose of and recycle them separately from the domestic waste in compliance with applicable statutory regulations. Separate collection and

recycling saves reserves of raw materials and ensures that all the regulations for protection of health and the environment are adhered to when recycling the product and/or the battery.

- ▶ Never dismantle the pedelec, battery or charger for disposal.

The pedelec, on-board computer, the unopened and undamaged battery and the charger can be returned to any specialist dealer free of charge. Further disposal options may be available, depending on the region.

- ▶ Store the individual parts of the decommissioned pedelec in a dry place, free from frost, where they are protected from direct sunlight.

### 10.1 Guidelines on removal of waste

Waste type	Disposal
Non-hazardous waste	
Recycling	
Waste paper, cardboard	Return paper collection bin, paper container, undamaged transport packaging to suppliers
Scrap metal and aluminium	Take to municipal collection points or have collected by waste disposal companies
Tyres, tubes	Tyre manufacturers' collection points, collection forms and fax templates available from tyre manufacturer Otherwise, residual waste bin (grey bin)
Fibre composite components (e.g. carbon, GRP)	Large carbon components such as defective frames and carbon rims can be sent to special collection points for recycling; see <a href="http://www.cfk-recycling.de/index.php?id=57">www.cfk-recycling.de/index.php?id=57</a>
Dual system sales packaging made of plastic, metal and composite material, lightweight packaging	Collection by waste disposal firm where applicable; return transport packaging to suppliers Plastic waste bin (yellow bin)
CDs, DVDs	Take to municipal collection points since they are made of high-grade plastic and are easy to recycle Otherwise, residual waste bin (grey bin)

Table 68: Removal of waste guidelines


Waste type	Disposal
<b>Dispose of</b>	
Residual waste	Residual waste bin (grey bin)
Biodegradable lubricants Biodegradable oils Cleaning cloths covered in biodegradable oil	Residual waste bin (grey bin)
Filament lamps, halogen lamps	Residual waste bin (grey bin)
<b>Hazardous waste</b>	
 <b>Recycling</b>	
Batteries, rechargeable batteries	Return to the battery manufacturer.
Electric devices: Motor On-board computer Display Control panel Wiring	Take to a municipal collection point for electronic waste
<b>Dispose of</b>	
Waste oil Cleaning cloths daubed in oil Lubrication oil Gear oil Lubricating grease Cleaning fluids Kerosene White spirit Hydraulic fluid Brake fluid	<p>Never mix different oil fluids. Store in original container</p> <p>Small amounts (mainly &lt;30 kg) Take to municipal collection points for hazardous waste (e.g. mobile toxic waste collection service)</p> <p>Larger quantities (&gt;30 kg) Collection by waste disposal companies</p>
Paints Varnishes Thinners	Take to municipal collection points for hazardous waste (e.g. mobile toxic waste collection service)
Neon lights, energy-saving lamps	Take to municipal collection points for hazardous waste (e.g. mobile toxic waste collection service)

Table 68: Removal of waste guidelines



# 11 Documents

## 11.1 Assembly report

Date:

Frame number:

Components	Description	Tests	Criteria		Measures if rejected
			Acceptance	Rejection	
Front wheel	Assembly		O.K.	Loose	Adjust quick release
Kickstands	Check mount fastening	Functional check	O.K.	Loose	Retighten screws
Tyres		Tyre pressure check	O.K.	Tyre pressure too low/ too high	Adjust tyre pressure
Frame	Check for damage – fracture, scratches		O.K.	Damage detected	<i>Take out of operation</i> , new frame
Handles, coverings	Check mount fastening		O.K.	Not provided	Retighten screws, new handles and coverings as specified in parts list
Handlebars, stem	Check mount fastening		O.K.	Loose	Retighten screws; new stem as specified in parts list if necessary
Steering headset	Check for damage	Functional check	O.K.	Loose	Retighten screws
Saddle	Check mount fastening		O.K.	Loose	Retighten screws
Seat post	Check mount fastening		O.K.	Loose	Retighten screws
Guard	Check mount fastening		O.K.	Loose	Retighten screws
Pannier rack	Check mount fastening		O.K.	Loose	Retighten screws
Attachments	Check mount fastening		O.K.	Loose	Retighten screws
Bell		Functional check	O.K.	No ring, too quiet, missing	New bell as specified in the parts list
<b>Suspension elements</b>					
Fork, suspension fork	Check for damage		O.K.	Damage detected	New fork as specified in the parts list
Rear frame damper	Check for damage		O.K.	Damage detected	New fork as specified in the parts list
Suspension seat post	Check for damage		O.K.	Damage detected	New fork as specified in the parts list
<b>Brake system</b>					
Handbrake	Check mount fastening		O.K.	Loose	Retighten screws
Brake fluid	Check fluid level		O.K.	Too little	Refill with brake fluid; new brake hoses if damaged
Brake linings	Check brake linings, brake discs and rims for damage		O.K.	Damage detected	New brake linings, brake discs and rims
Back-pedal brake braking armature	Check mount fastening		O.K.	Loose	Retighten screws
<b>Lighting system</b>					
Rechargeable battery	First examination		O.K.	Error message	<i>Take out of service</i> ; contact battery manufacturer, new battery
Light cabling	Connections, correct wiring		O.K.	Cable defective, no light	New cabling
Rear light	Side light	Functional check	O.K.	No constant light	<i>Take out of service</i> ; new rear light as specified in parts list; replace if necessary
Front light	Side light, daytime riding light	Functional check	O.K.	No constant light	<i>Take out of service</i> ; new front light as specified in parts list; replace if necessary
Reflectors	All complete, state, fastening		O.K.	Damaged or not all complete	New reflectors



Components	Description		Criteria		Measures if rejected
	Assembly /inspection	Tests	Acceptance	Rejection	
<b>Drive/gear shift</b>					
<b>Chain/cassette/sprocket/chainring</b>	Check for damage		O.K.	Damage	Refasten if necessary or replace as specified in parts list
<b>Chain guard/spoke guard</b>	Check for damage		O.K.	Damage	Replace as specified in parts list
<b>Bottom bracket axle/crank</b>	Check mount fastening		O.K.	Loose	Retighten screws
<b>Pedals</b>	Check mount fastening		O.K.	Loose	Retighten screws
<b>Shifter</b>	Check mount fastening	Functional check	O.K.	Loose	Retighten screws
<b>Shift cables</b>	Check for damage	Functional check	O.K.	Loose and defective	Adjust shift cables; new shift cables if necessary
<b>Front derailleur</b>	Check for damage	Functional check	O.K.	Switching gears difficult or not possible	Adjust
<b>Rear derailleur</b>	Check for damage	Functional check	O.K.	Switching gears difficult or not possible	Adjust
<b>Electric drive</b>					
<b>On-board computer</b>	Check for damage	Functional check	O.K.	No screen, defective screen display	Restart, test battery, new software or new on-board computer; <i>take out of service</i>
<b>Control panel</b>	Control panel Check for damage	Functional check	O.K.	No response	Restart; contact control panel manufacturer, new control panel
<b>Tachometer</b>		Speed measurement	O.K.	Pedelec travelling 10% too fast/slow	Take pedelec out of service until the source of the error is found
<b>Cabling</b>	Visual inspection		O.K.	Failure in system, damage, kinked cables	New cabling
<b>Battery mount</b>	Firmly in position, lock, contacts	Functional check	O.K.	Loose; lock doesn't close, no contacts	New battery mount
<b>Motor</b>	Visual inspection and mount		O.K.	Damage, loose	Refasten motor, contact motor manufacturer, new motor
<b>Software</b>	Check version		In latest version	Not latest version	Import update

### Technical inspection, checking safety, test ride

Components	Description		Criteria		Measures if rejected
	Assembly /inspection	Tests	Acceptance	Rejection	
<b>Brake system</b>		Functional check	O.K.	No full braking; braking distance too long	Locate defective part in brake system and correct
<b>Gear shift under operating load</b>		Functional check	O.K.	Problems when shifting gear	Readjust gear shift
<b>Suspension components (fork, shock absorber, seat post)</b>		Functional check	O.K.	Suspension too deep or no longer exists	Locate defective component and correct
<b>Electric drive system</b>		Functional check	O.K.	Loose connection, problems when riding, accelerate	Locate faulty components in electric drive and remedy
<b>Lighting system</b>		Functional check	O.K.	No continuous light, not bright enough	Locate defective part in lighting system and correct
<b>Test ride</b>			No strange noises	Strange noises	Locate source of noise and correct

<b>Date:</b>	
<b>Fitter's name:</b>	
<b>Final inspection by workshop manager:</b>	



## 11.2 Inspection and maintenance log

### Diagnosis and documentation of current status

Date:

Frame number:

Component	Frequency	Description			Criteria		Measures if rejected
		Inspection	Test		Acceptance	Rejection	
Front wheel	6 months	Assembly			O.K.	Loose	Adjust quick release
Kickstands	6 months	Check mount fastening	Functional check		O.K.	Loose	Retighten screws
Tyres	6 months		Tyre pressure check		O.K.	Tyre pressure too low/ too high	Adjust tyre pressure
Frame	6 months	Check for damage – fracture, scratches			O.K.	Damage detected	Take pedelec out of service, new frame
Handles, coverings	6 months	Wear; check if fastened securely			O.K.	Not provided	Retighten screws, new handles and coverings as specified in parts list
Handlebars, stem	6 months	Check mount fastening			O.K.	Loose	Retighten screws; new stem as specified in parts list if necessary
Steering headset	6 months	Check for damage	Functional check	Lubricating and adjustment	O.K.	Loose	Retighten screws
Saddle	6 months	Check mount fastening			O.K.	Loose	Retighten screws
Seat post	6 months	Check mount fastening			O.K.	Loose	Retighten screws
Guard	6 months	Check mount fastening			O.K.	Loose	Retighten screws
Pannier rack	6 months	Check mount fastening			O.K.	Loose	Retighten screws
Attachments	6 months	Check mount fastening			O.K.	Loose	Retighten screws
Bell	6 months		Functional check		O.K.	No ring, too quiet, missing	New bell as specified in the parts list
<b>Suspension elements</b>							
Fork, suspension fork	To manufacturer's specifications*	Check for damage, corrosion, fracture		Maintenance as specified by manufacturer Lubrication, oil change as specified by manufacturer	O.K.	Damage detected	New fork as specified in the parts list
Rear frame damper	To manufacturer's specifications*	Check for damage, corrosion, fracture		Maintenance as specified by manufacturer Lubrication, oil change as specified by manufacturer	O.K.	Damage detected	New fork as specified in the parts list
Suspension seat post	To manufacturer's specifications*	Check for damage		Maintenance as specified by manufacturer	O.K.	Damage detected	New fork as specified in the parts list



Component	Frequency	Description			Criteria		Measures if rejected
		Inspection	Test		Acceptance	Rejection	
<b>Brake system</b>							
<b>Handbrake</b>	6 months	Check mount fastening			O.K.	Loose	Retighten screws
<b>Brake fluid</b>	6 months	Check fluid level		Depending on time of year	O.K.	Too little	Top up brake fluid; take Pedelec out of service if damaged; new brake hoses
<b>Brake linings</b>	6 months	Check brake linings, brake discs and rims for damage			O.K.	Damage detected	New brake linings, brake discs and rims
<b>Back-pedal brake braking armature</b>	6 months	Check mount fastening			O.K.	Loose	Retighten screws
<b>Brake system</b>	6 months	Check mount fastening		Functional check	O.K.	Loose	Retighten screws
<b>Lighting system</b>							
<b>Rechargeable battery</b>	6 months	First examination			O.K.	Error message	Contact battery manufacturer; take battery out of service; new battery
<b>Light cabling</b>	6 months	Connections, correct wiring			O.K.	Cable defective, no light	New cabling
<b>Rear light</b>	6 months	Side light	Functional check		O.K.	No constant light	New rear light as specified in parts list; replace if necessary
<b>Headlight</b>	6 months	Side light, daytime riding light	Functional check		O.K.	No constant light	New headlight light as specified in parts list; replace if necessary
<b>Reflectors</b>	6 months	All complete, state, fastening			O.K.	Damaged or not all complete	New reflectors
<b>Drive/gear shift</b>							
<b>Chain/cassette/sprocket/chainring</b>	6 months	Check for damage			O.K.	Damage	Refasten if necessary or replace as specified in parts list
<b>Chain guard/spoke guard</b>	6 months	Check for damage			O.K.	Damage	Replace as specified in parts list
<b>Bottom bracket axle/crank</b>	6 months	Check mount fastening			O.K.	Loose	Retighten screws
<b>Pedals</b>	6 months	Check mount fastening			O.K.	Loose	Retighten screws
<b>Shifter</b>	6 months	Check mount fastening	Functional check		O.K.	Loose	Retighten screws
<b>Shift cables</b>	6 months	Check for damage	Functional check		O.K.	Loose and defective	Adjust shift cables; new shift cables if necessary
<b>Front derailleur</b>	6 months	Check for damage	Functional check		O.K.	Switching gears difficult or not possible	Adjust
<b>Rear derailleur</b>	6 months	Check for damage	Functional check		O.K.	Switching gears difficult or not possible	Adjust



Component	Frequency	Description			Criteria		Measures if rejected
		Inspection	Test		Acceptance	Rejection	
<b>Electric drive system</b>							
<b>On-board computer</b>	6 months	Check for damage	Functional check		O.K.	No screen, defective screen display	Restart; test battery; new software or new on-board computer; take out of service
<b>Control panel</b>	6 months	Check control panel for damage	Functional check		O.K.	No response	Restart; contact control panel manufacturer, new control panel
<b>Tachometer</b>	6 months		Speed measurement		O.K.	Pedelec travelling 10% too fast/slow	Take pedelec out of service until the source of the error is found
<b>Cabling</b>	6 months	Visual inspection			O.K.	Failure in system, damage, kinked cables	New cabling
<b>Battery mount</b>	6 months	Firmly in position, lock, contacts	Functional check		O.K.	Loose; lock doesn't close, no contacts	New battery mount
<b>Motor</b>	6 months	Visual inspection and mount			O.K.	Damage, loose	Refasten motor, contact motor manufacturer, new motor; <i>take out of service</i>
<b>Software</b>	6 months	Check version			In latest version	Not latest version	Import update

### Technical inspection, checking safety, test ride

Component	Frequency	Description			Criteria
		Inspection	Test		Acceptance
<b>Brake system</b>	6 months	Functional check	O.K.	No full braking; braking distance too long	Locate defective part in brake system and correct
<b>Gear shift under operating load</b>	6 months	Functional check	O.K.	Problems when shifting gear	Readjust gear shift
<b>Suspension components (fork, shock absorber, seat post)</b>	6 months	Functional check	O.K.	Suspension too deep or no longer exists	Locate defective component and correct
<b>Electric drive</b>	6 months	Functional check	O.K.	Loose connection, problems when riding, accelerate	Locate faulty component in electric drive and remedy
<b>Lighting system</b>	6 months	Functional check	O.K.	No continuous light, not bright enough	Locate defective part in lighting system and correct
<b>Test ride</b>	6 months	Functional check	No strange noises	Strange noises	Locate source of noise and correct

<b>Date:</b>	
<b>Fitter's name:</b>	
<b>Final inspection by workshop manager:</b>	



**Notes**



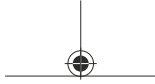
## 11.3 Parts list

	KETTLER B-750 FS1 KB196-IAKD	KETTLER B-750 FS2 KB197-IAKD
<b>Frame</b>	E28	E28
<b>Rear frame damper</b>	ROCKSHOX, DELUXE SELECT	ROCKSHOX, DELUXE SELECT
<b>Wheel, front/rear</b>	VR-B-750 / HR-B-750	VR-B-750 / HR-B-750
<b>Tyres, front/rear</b>	SCHWALBE, NOBBY NIC, Performance	SCHWALBE, NOBBY NIC, Performance
<b>Tube with valve</b>	SCHWALBE, SV19FB	SCHWALBE, SV19FB, light
<b>Rim, front/rear</b>	RADIAL, X30	RADIAL, X30
<b>Hub, front</b>	SHIMANO, HB-MT400-B	SHIMANO, HB-MT400-B
<b>Hub, rear</b>	SHIMANO, FH-MT410-B	SHIMANO, FH-MT400-B
<b>Steering system</b>		
<b>Steering headset</b>	ACROS, 575R2	ACROS, 575R2
<b>Stem</b>	SATORI	SATORI, Ursa
<b>Handlebars</b>	KALLOY, HBRB12W	KALLOY, HBRB12W
<b>Handles, left/right</b>	HERRMANS®, Grind	HERRMANS®, Grind
<b>Fork</b>	ROCKSHOX, 35 Silver RL 29"	ROCKSHOX, 35 Gold RL 29"
<b>Seat</b>		
<b>Saddle</b>	Whistle Performance	Whistle Performance
<b>Seat post</b>	LIMOTEC, Jovial	LIMOTEC, A1
<b>Saddle clamp</b>	COLLAR.RS	COLLAR.RS
<b>Crank drive</b>		
<b>Pedals</b>	FEIMIN, FP-203ZP	FEIMIN, FP-203ZP
<b>Crank set</b>	FSA, CK-220	FSA, CK-220
<b>Chain</b>	SHIMANO, DEORE CN-M6100	KMC, X12 Silver
<b>Chain wheels</b>	FSA, Direct Mount steel chainring	FSA, Direct Mount steel chainring
<b>Chain guard</b>	FSA	FSA
<b>Electric drive</b>		
<b>Motor</b>	BOSCH™, Performance Line CX, BDU3740, BDU3741	BOSCH™, Performance Line CX, BDU3740, BDU3741
<b>Rechargeable battery</b>	BOSCH™ PowerTube 750 battery, BBP3770 horizontal	BOSCH™ PowerTube 750 battery, BBP3770 horizontal
<b>On-board computer</b>	BOSCH™, BOSCH LED Remote, BRC3600	BOSCH™, BOSCH LED Remote, BRC3600
<b>Display</b>	...	BOSCH KIOX300, BHU3600
<b>Charger</b>	BOSCH™, 4A charger, BPC3400	BOSCH™, 4A charger, BPC3400
<b>Brake</b>		
<b>Brake lever, front/rear</b>	SHIMANO, BL-MT401	SHIMANO, BL-MT4000
<b>Brake, front/rear</b>	SHIMANO, BR-MT420	SHIMANO, BR-MT420
<b>Brake disc, front/rear</b>	SHIMANO, SM-RT30	SHIMANO, SM-RT30

<b>Gear shift</b>		
<b>Shifter</b>	SHIMANO, DEORE SL-M6100-I	SRAM, SX EAGLE™ TRIGGER SHIFTER
<b>Gear type</b>	Derailleur gears	
<b>Rear derailleur</b>	SHIMANO, DEORE RD-M6100-SGS	SRAM, SX EAGLE™
<b>Sprocket</b>	SHIMANO, CS-M6100	SRAM, PG-1210 EAGLE™
<b>Derailleur hanger</b>	SHIMANO, OT-SP41	SHIMANO, OT-SP41
<b>Accessories</b>		
<b>Battery lock</b>	ABUS, 64313	ABUS, 64313

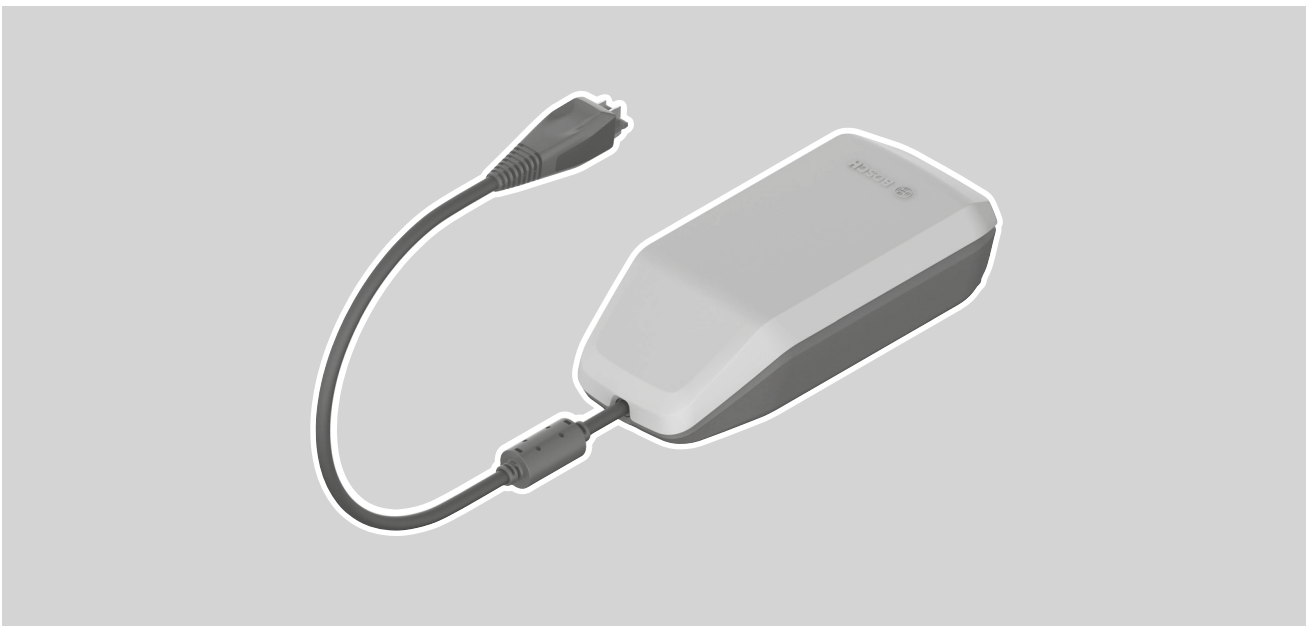
...not available

## 11.4 Charger operating instructions



# Charger

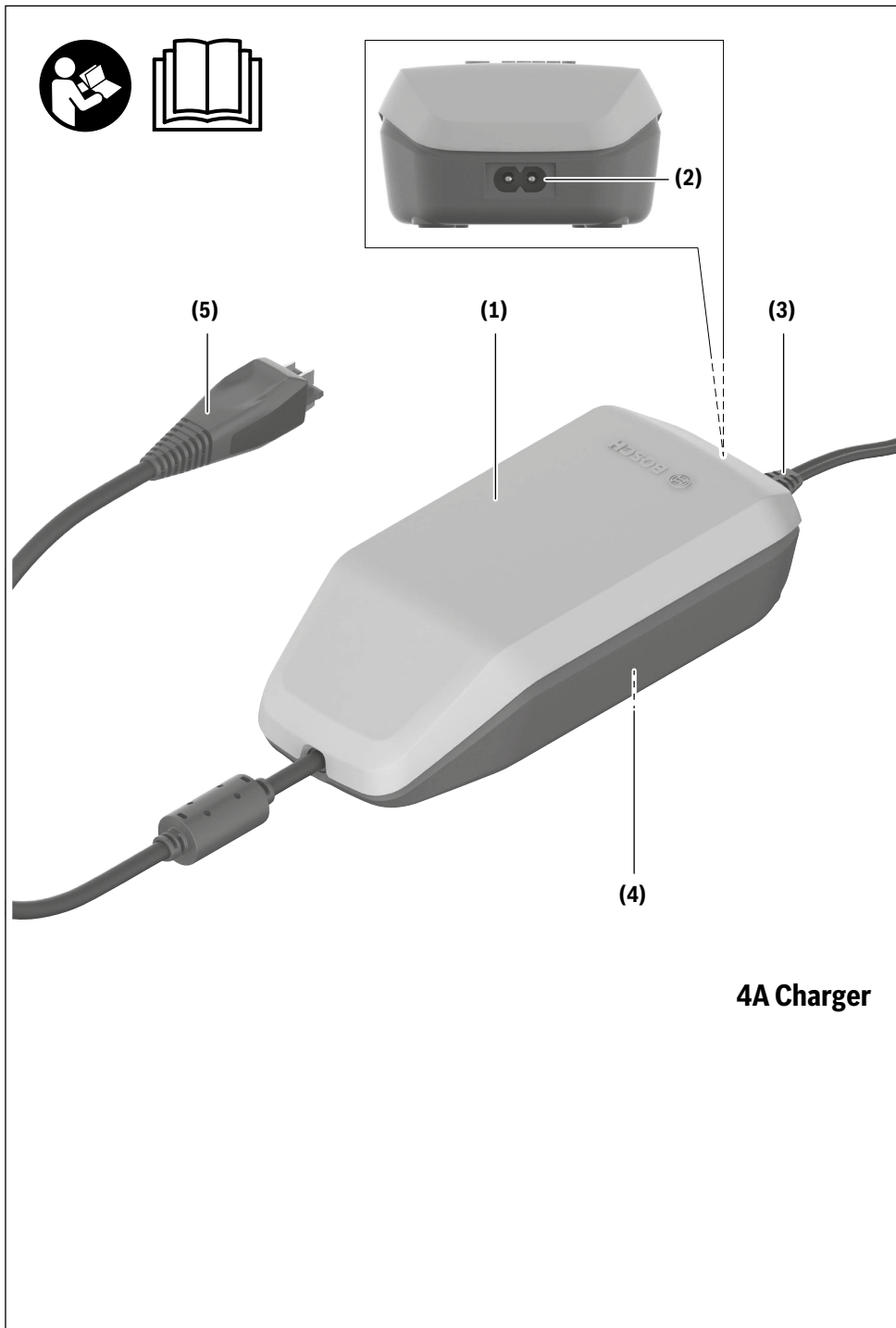
BPC3400



en Original operating instructions

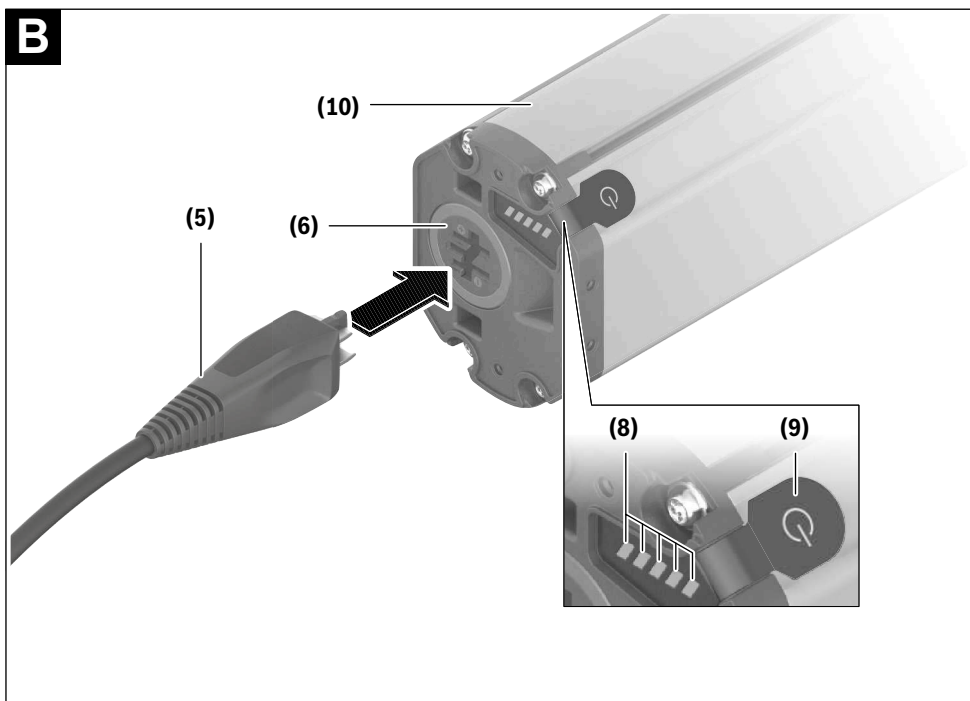
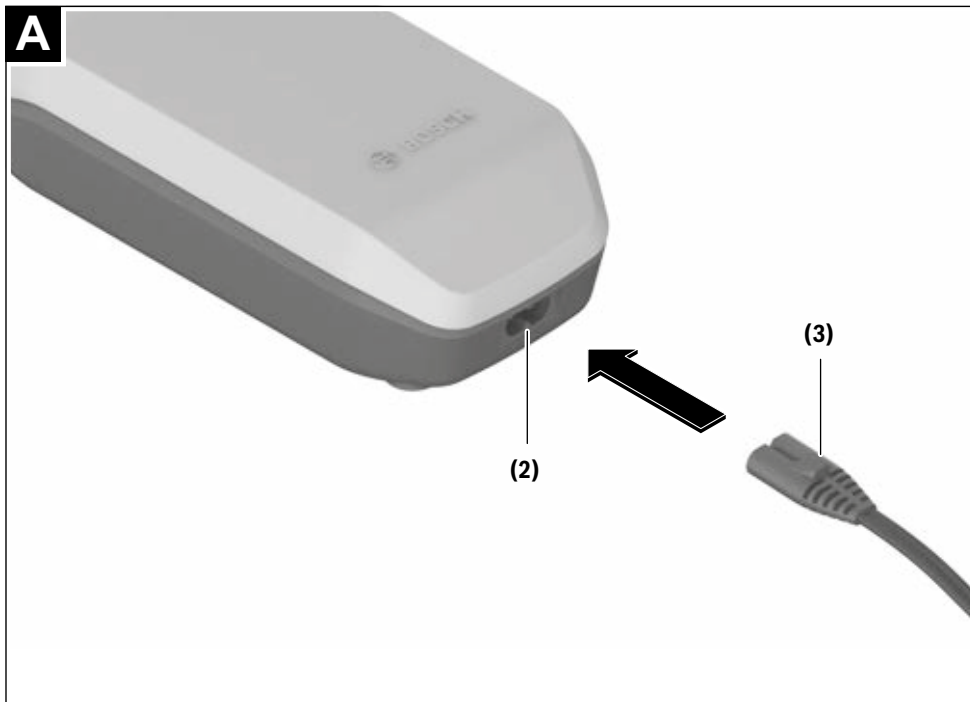


2 |

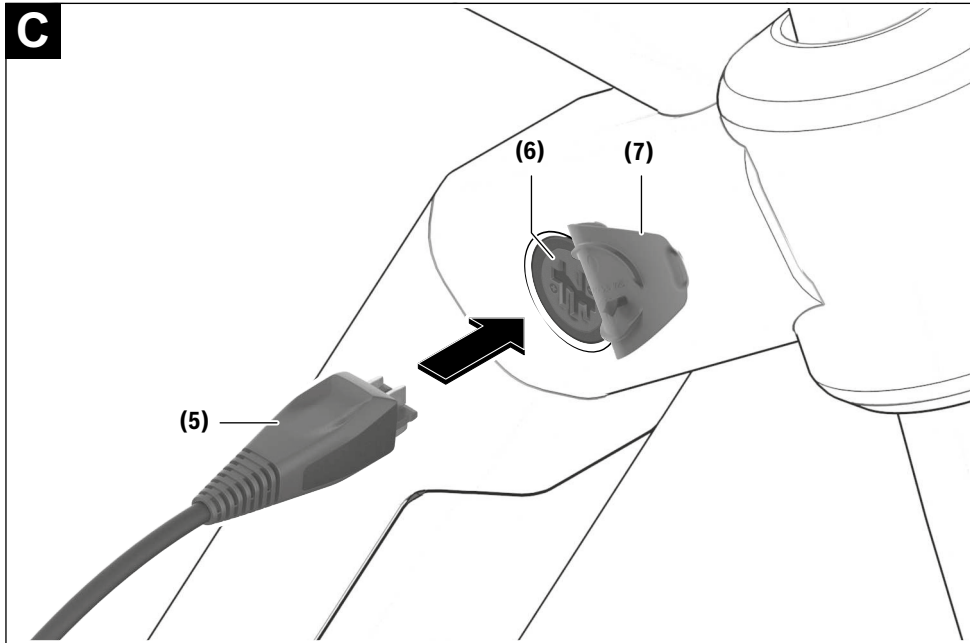


0 275 007 3CX | (09.06.2021)

Bosch eBike Systems



4 |



## Safety instructions



**Read all the safety and general instructions.** Failure to observe the safety and general instructions may result in electric shock, fire and/or serious injury.

**Save all safety warnings and instructions for future reference.**

The term **battery** is used in these instructions to mean all original Bosch eBike rechargeable battery packs.



**Do not expose the charger to rain or wet conditions.** If water enters a charger, there is a risk of electric shock.

- ▶ **Charge only Bosch lithium-ion batteries that are approved for use in eBikes. The battery voltage must match the battery charging voltage of the charger.** Otherwise there is a danger of fire and explosion.
- ▶ **Keep the charger clean.** Dirt poses a risk of electric shock.
- ▶ **Always check the charger, cable and plug before use. Stop using the charger if you discover any damage. Do not open the charger.** Damaged chargers, cables and plugs increase the risk of electric shock.
- ▶ **Do not operate the charger on an easily ignited surface (e.g. paper, textiles, etc.) or in a flammable environment.** There is a risk of fire due to the charger heating up during operation.

**onment.** There is a risk of fire due to the charger heating up during operation.

- ▶ **Take care if you touch the charger while it is charging. Wear protective gloves.** The charger can get very hot, especially when the ambient temperature is high.
- ▶ **The battery may give off fumes if it becomes damaged or is used incorrectly. Ensure the area is well ventilated and seek medical attention should you experience any adverse effects.** The fumes may irritate the respiratory system.
- ▶ **The eBike battery must not be left unattended while charging.**
- ▶ **Supervise children during use, cleaning and maintenance.** This will ensure that children do not play with the charger.
- ▶ **Children or persons who, owing to their physical, sensory or mental limitations or to their lack of experience or knowledge, are not capable of safely operating the charger may only use this charger under supervision or after having been instructed by a responsible person.** Otherwise, there is a danger of operating errors and injuries.
- ▶ **Read and observe the safety warnings and directions contained in all the eBike system operating instructions and in the operating instructions of your eBike.**
- ▶ A sticker in English is adhered to the bottom of the charger (marked **(4)** in the diagram on the graphics page). This says:

Use ONLY with BOSCH lithium-ion rechargeable batteries!

### eBike Battery Charger BPC3400

#### 4A Charger

**EB12.110.001**

Input: 220-240 V ~ 50-60 Hz 1.65 A

Output: 36 V= 4 A

Made in Vietnam

Robert Bosch GmbH

72757 Reutlingen, Germany

Li-Ion

Use ONLY with BOSCH Li-Ion batteries



## Product description and specifications

### Intended Use

In addition to the functions shown here, changes to software relating to troubleshooting and functional modifications may be introduced at any time.

The Bosch eBike chargers are intended exclusively for charging Bosch eBike batteries and must not be used for any other purpose.

### Product features

The numbering of the components shown refers to the illustrations on the graphics pages at the beginning of the manual.

Individual illustrations in these operating instructions may differ slightly from the actual conditions depending on the equipment of your eBike.

- (1) Battery charger
- (2) Device socket
- (3) Device connector
- (4) Charger safety instructions
- (5) Charging connector
- (6) Socket for charging connector
- (7) Charging socket cover
- (8) Operation/battery charge indicator
- (9) Battery on/off button
- (10) PowerTube

English – 2

## Technical data

Charger	4A Charger	
Product code		BPC3400
Rated voltage	V~	198 to 264
Frequency	Hz	47 to 63
Battery charging voltage	V=	36
Charging current (max.)	A	4
Charging time for PowerTube 750, approx.	h	6
Operating temperature	°C	0 to 40
Storage temperature	°C	10 to 40
Weight, approx.	kg	0.7
Protection rating		IP40

The specifications apply to a rated voltage [U] of 230 V. These specifications may vary at different voltages and in country-specific models.

UK  
CA

## Operation

### Start-up

#### Connecting the charger to the mains (see figure A)

- **Pay attention to the mains voltage.** The voltage of the power source must match the voltage specified on the rating plate of the charger. Chargers marked 230 V can also be operated at 220 V.

Plug the device connector (3) of the power cable into the device socket (2) on the charger.

Connect the power cable (country-specific) to the mains.

#### Charging the removed battery (see figure B)

Switch the battery off and remove it from its holder on the eBike. When doing so, read and observe the operating instructions of the battery.

- **Ensure the battery is placed on clean surfaces only.** Avoid getting dirt, e.g. sand or soil, in the charging socket and contacts in particular.

Plug the charging connector (5) of the charger into the socket (6) on the battery.

#### Charging the battery on the bike (see figure C)

Switch the battery off. Clean the cover of the charging socket (7). Avoid getting dirt, e.g. sand or soil, in the charging

socket and contacts in particular. Lift the cover of the charging socket (7) and plug the charging connector (5) into the charging socket (6).

- **There is a risk of fire due to the charger heating up during charging. Ensure the battery on the bike is completely dry and placed on a fireproof surface before charging.** If this is not possible, remove the battery from the holder and charge it in a more suitable location. When doing so, read and observe the operating instructions of the battery.

#### Charging process

The charging process begins as soon as the charger is connected to the battery or charging socket on the bike and to the mains.

**Note:** The charging process is only possible when the temperature of the eBike battery is within the permitted charging temperature range.

**Note:** The drive unit is deactivated during the charging process.

The battery can be charged with and without the on-board computer. When charging without the on-board computer, the charging procedure can be observed on the battery charge indicator.

When the on-board computer is connected, a charging notification appears on the display.

The state of charge is displayed by the battery charge indicator (8) on the battery and by the bars on the on-board computer.

The LEDs on the battery charge indicator (8) flash during the charging process. Each solid illuminated LED represents approximately 20 % of the charging capacity. The flashing LED indicates the next 20 % currently charging.

Once the eBike battery is fully charged, the LEDs go out immediately and the on-board computer is switched off. The charging process is terminated. The state of charge can be displayed for 5 seconds by pressing the on/off button (9) on the eBike battery.

Disconnect the charger from the mains and the battery from the charger.




When the battery is disconnected from the charger, the battery is automatically switched off.

**Note:** If you have charged the battery on the bike, carefully close the charging socket (6) with the cover (7) after charging, so that no dirt or water can get in.

If the charger is not disconnected from the battery after charging, after a few hours the charger will switch itself back on, check the state of charge of the battery and begin the charging procedure again if necessary.



## Errors – causes and corrective measures

Cause	Corrective measures
 <p>Battery defective</p>	<p><b>Two LEDs flash on the battery.</b></p> <p>Contact an authorised bike dealership.</p>
 <p>Battery too warm or too cold</p>	<p><b>Three LEDs flash on the battery.</b></p> <p>Disconnect the battery from the charger until the charging temperature range has been reached.</p> <p>Do not reconnect the battery to the charger until it has reached the correct charging temperature.</p>
 <p>The charger is not charging.</p>	<p><b>No LEDs flashing (one or more LEDs will remain permanently lit depending on the state of charge of the eBike battery).</b></p> <p>Contact an authorised bike dealership.</p>
<b>Charging not possible (no indicator on battery)</b>	
Connector not attached properly	Check all connections.
Battery contacts dirty	Carefully clean the battery contacts.
Plug socket, cable or charger defective	Check the mains voltage, have the charger checked over by a bike dealership.
Battery defective	Contact an authorised bike dealership.

## Maintenance and servicing

### Maintenance and cleaning

If the charger fails, please contact an authorised bike dealership.

### After-sales service and advice on using products

If you have any questions about the eBike system and its components, contact an authorised bicycle dealer.

For contact details of authorised bike dealerships, please visit [www.bosch-ebike.com](http://www.bosch-ebike.com).

### Disposal

Chargers, accessories and packaging should be recycled in an environmentally friendly manner.

Do not dispose of chargers along with household waste.

#### Only for EU countries:



According to the European Directive 2012/19/EU on Waste Electrical and Electronic Equipment and its implementation into national law, chargers that are no longer usable must be collected separately and disposed of in an environmentally friendly manner.

**Subject to change without notice.**

## 11.5 Tyre size table

	ETRTO	Inches	French
20"	28-406	20 × 1½	...
	28-440	...	500 × 28A 500 A 500A Standard
	28-451	20 × 1½	...
	32-406	20 × 1.25	...
	35-406	20 × 1.35	...
	37-406	20 × 1½	...
	37-438	20 × 1½	500 A
	37-440	...	500 × 35A 500A Confort 500A Ballon 500A ½ Ballon
	37-451	20 × 1½	...
	40-406	20 × 1.50	...
	40-432	20 × 1½	...
	40-438	20 × 1½ × 1½	500 × 38A
	40-440	20 × 1½ NL	...
	42-406	20 × 1.60	...
	44-406	20 × 1,625	...
	47-406	20 × 1.75 20 × 1.90	...
	50-406	20 × 2.00	...
	54-400	20 × 2 × 1¼ 20 × 2 F 4J	...
	54-406	20 × 2.00	...
	54-428	20 × 2.00	...
57-406	20 × 2,125	...	
60-406	20 × 2.35	...	
22"	25-489	2 × 1.00	...
	28-490	...	550 × 28A 550 A 550A Standard
	32-490	22 × 1½ × 1¼	550 × 32A 550 A
	32-501	22 × 1¼	...
	37-489	22 × 1½ NL	...
	37-490	22 × 1½	550 × 35A 550A Confort 550A Ballon 550A ½ Ballon
	37-498	22 × 1½ × 1¼	...
	37-501	22 × 1½	...
	40-489	22 × 1½ × 1½	...

Table 69: Tyre size table

	ETRTO	Inches	French
22"	44-484	22 × 1½ × 1½	...
	50-489	22 × 2.00	...
24"	22-541	...	...
	23-520	24 × ⅞	...
	25-540	24 × 1.00	...
	25-541	...	600 × 25A
	28-541	...	600 × 28A 600 A 600A Standard
	32-540	24 × 1½ × 1¼ 24 × 1½	...
	32-541	24 × 1½ × 1¼ NL	...
	37-540	24 × 1½	...
	37-541	...	600 × 35A 600A Confort 600A Ballon 600A ½ Ballon
	40-507	24 × 1.50	...
	40-534	24 × 1½	...
	40-540	24 × 1½ × 1½	...
	44-507	24 × 1,625 24 × 1.75	...
	44-531	24 × 1½ × 1½	...
	47-507	24 × 1.75 24 × 1.85 24 × 1.90	...
	49-507	24 × 1.85	...
	50-507	24 × 1.90 24 × 2.00 24 × 2,125	...
	54-507	24 × 2.10	...
	57-507	24 × 2,125 24 × 2.00	...
	60-507	24 × 2.35	...
62-507	24 × 2.40	...	
26"	20-571	26 × ¾	650 × 20C
	20-590	...	650 × 20A
	23-571	26 × ⅞	650 × 22C
	25-559	26 × 1.00	...
	25-590	26 × 1½, 1¼ 26 × 1½ × 1½ - 1¼	650 × 25A
	28-559	26 × 1.10	...
	28-584	26 × 1½ × 1½	650 × 28B

Table 69: Tyre size table

	ETRTO	Inches	French
26"	28-590	26 × 1½	650 × 28A
	32-584	...	650 × 32B
	35-559	26 × 1.35	
	32-590	26 × 1¼ 26 × 1⅜ × 1¼	650 × 32A
	32-597	26 × 1¼	...
	35-584	26 × 1⅝ × 1½	650 × 35B 650B Standard
	35-590	26 × 1⅝	650 × 35A 650 A
	37-559	26 × 1⅝ × 1⅝ 26 × 1.40	...
	37-584	26 × 1½ × 1⅝ 650 × 35B 26 × 1½	...
	37-590	26 × 1⅝	650 × 35A 650 A
	40-559	26 × 1.50	650 × 35B 650 × 38B
	40-571	26 × 1½ CS 26 × 1⅝ × 1½ NL 26 × 1⅝ × 1½	650 × 35C 650 × 38C
	40-584	26 × 1⅝ × 1½ 26 × 1½	650 × 35B
	40-590	26 × 1.50 26 × 1⅝ × 1½	650 × 38A
	42-559	26 × 1.60	...
	44-559	26 × 1,625 26 × 1.50/1.75	...
	44-584	26 × 1⅝ × 1½	650 × 42B 650B Semi- Confort 650B ½ Ballon
	44-590	...	...
	47-559	26 × 1.75 26 × 1.85 26 × 1.90	...
	47-571	26 × 1¼ 650 CS Confort	650 × 45C
	50-559	26 × 1.90 26 × 1.95 26 × 1.90 26 × 2.00 26 × 2.10	...
	54-559	26 × 1.95 26 × 2.10 26 × 2,125	...
	54-571	26 × 2 × 1¼	650 × 50C
	54-584	26 × 1½ × 2	...
	57-559	26 × 2,125 26 × 2.20 26 × 2.25	...
	60-559	26 × 2.35	...
	62-559	26 × 2.40 26 × 2.50	...

	ETRTO	Inches	French
27.5"	62-584	27.5 × 2.45	...
	35-584	27.5 × 1.35	650B
	37-584	27.5 × 1.40	...
	40-584	27.5 × 1.50	...
	44-584	27.5 × 1.65	...
	47-584	27.5 × 1.75	...
	50-584	27.5 × 2.00	...
	54-584	27.5 × 2.10	...
	57-584	27.5 × 2.25	...
	60-584	27.5 × 2.35	...
	62-584	27.5 × 2.40	...
	64-584	27.5 × 2.50	...
	...	27.5 × 2.8	...
	...	27.5 × 3.0	...
	...	27.5 × 3.5	...
28" *	18-622	28 × ¾	700 × 18C
	19-622	...	700 × 19C
	20-622	28 × ¾	700 × 20C
	22-622	28 × ⅞	700 × 22C
	23-622	28 × ⅞	700 × 23C
	25-622	28 × 1.00 28 × 1 1/16	700 × 25C
	28-622	28 × 1.10 28 × 1⅝ × 1⅝	700 × 28C
	28-642	28 × 1⅝ × 1⅝	700 × 28A
	30-622	28 × 1.20	700 × 30C
	32-622	28 × 1.25 28 × 1⅝ × 1¼	700 × 32C 700C COURSE
	32-635	28 × 1½ × 1⅝	770 × 28B 700 × 28B 770B COURSE
	35-622	28 × 1.35 28 × 1⅝ × 1⅝	700 × 35C
	37-622	28 × 1.40 28 × 1⅝ × 1⅝	700 × 35C
	37-642	28 × 1⅝	700 × 35A
	40-622	28 × 1.50 28 × 1⅝ × 1½	700 × 38C
	40-635	28 × 1½ 28 × 1½ × 1⅝	700 × 38B 700 × 35B 700 Standard 700B Standard
	42-622	28 × 1.60	700 × 40C
	44-622	28 × 1,625	700 × 42C 700 × 44C

Table 69: Tyre size table

	ETRTO	Inches	French
28" *	44-635	28 × 1 $\frac{1}{8}$ × 1 $\frac{1}{2}$	700 × 40/42B
	47-622	28 × 1.75	700 × 45C
	50-622	28 × 1.90 28 × 2.00	...
	54-622	28 × 2.10 29 × 2.10	...
	57-622	28 × 2.10 29 × 2.10	...
	60-622	28 × 2.35	...
29" *	66-622	29 × 2.60	...
	50-622	29 × 2.00	...
	...	28 × 2.00	...
	54-622	29 × 2.10	...
	55-622	29 × 2.15	...
	57-622	29 × 2.25	...
	60-622	29 × 2.35	...
	...	29 × 3.0	...

**Table 69: Tyre size table**

\*28" and 29" tyres (twenty-niner) have the same inside diameter of 622 mm. They are mounted on the same rim.

... = not defined

## 12 Glossary

### Bicycle for young adults

*Source: ISO 4210-2:* bicycle designed for use on public roads by a young adult whose weight is less than 40 kg, with maximum saddle height of 635 mm or more and less than 750 mm. (see ISO 4210).

### Brake lever

*Source: EN 15194:2017:* lever used to apply the brake.

### Braking distance

*Source: EN 15194:2017:* distance travelled by a pedelec between the commencement of braking and the point at which the pedelec comes to rest.

### Cargo bike

*Source: DIN 79010:* bicycle mainly designed to carry goods.

### CE marking

*Source: Directive on Machinery:* the manufacturer uses the CE marking to declare that the pedelec complies with the applicable requirements.

### City and trekking bicycle

*Source: ISO 4210-2:* bicycle designed for use on public roads primarily for means of transportation or leisure.

### Consumables

*Source: EN 82079-1:* any part or material that is needed to continue using or maintain the product.

### Continuous power rating

*Source: ISO 15194:2017,* output power specified by the manufacturer at which the motor reaches its thermal equilibrium under the specified ambient conditions.

### Decommissioning

*Source: DIN 31051:* intentional, unlimited interruption in an object's functional capability.

### Disc brake

*Source: EN 15194:2017:* brake in which brake pads are used to grip the lateral faces of a thin disc attached to or incorporated into the wheel hub.

### Drive belt

*Source: EN 15194:2017:* seamless ring belt which is used as a means of transmitting drive force.

### Electrical control system

*Source: EN 15194:2017:* electronic and/or electrical component or an assembly of components provided for installation into a vehicle, together with all electrical connections and associated wiring for the motor electrical power assistance.

### Electrically power assisted cycle, pedelec

*Source: EN 15194:2017:* electrically power assisted cycle pedelec EPAC bicycles, equipped with pedals and an auxiliary electric motor, which cannot be propelled exclusively by means of the auxiliary electric motor, except in start-up assistance mode.

### Emergency stop

*Source: ISO 13850:2015,* function or signal, designed: — to avert arising or reduce existing hazards to persons, damage to machinery or to work in progress; – to be initiated by a single human action.

### Fault

*Source: EN 13306:2018-02, 6.1:* state of an item (4.2.1) characterized by its inability to perform a required function (4.5.1), excluding such inability during preventive maintenance or other scheduled actions or due to lack of external resources.

### Folding bicycle

*Source: EN-ISO 4210-2:* bicycle designed to fold into a compact form, facilitating transport and storage.

**Fork steerer**

*Source: EN 15194:2017:* part of a fork that rotates around the steering axis of a pedelec frame head tube. It is normally connected to the fork crown or directly to the fork legs, and is normally the point of connection between the fork and the handlebar stem.

**Fracture**

*Source: EN 15194:2017:* unintentional separation into two or more parts.

**Maintenance**

*Source: DIN 31051:* maintenance is generally performed at regular intervals and often carried out by trained technical staff. This ensures a maximum service life and low wear and tear for the maintained items. Proper maintenance is often also a pre-requisite for providing a warranty.

**Manufacturer**

*Source: Directive 2006/42/EC on Machinery, 17.05.2006* Any natural or legal person who designs and/or manufactures machinery or partly completed machinery covered by this Directive and is responsible for the conformity of the machinery or the partly completed machinery with this Directive with a view to its being placed on the market, under his own name or trademark or for his own use.

**Maximum continuous power rating**

*Source: ZEG:* the maximum continuous power rating is the maximum power for the electric motor output shaft during 30 minutes.

**Maximum permitted total weight**

*Source: EN 15194:2017:* weight of the fully assembled pedelec plus the rider and baggage, as specified by the manufacturer.

**Maximum saddle height**

*Source: EN 15194:2017:* vertical distance from the ground to the point where the top of the seat surface is intersected by the seat-post axis, measured with the saddle in a horizontal position and with the seat-post set to the minimum insertion-depth mark.

**Maximum tyre pressure**

*Source: EN 15194:2017:* maximum tyre pressure recommended by the tyre or rim manufacturer for a safe and efficient performance. If the rim and tyre both indicate a maximum tyre pressure, the maximum inflation pressure is the lower of the two pressures indicated.

**Minimum insertion depth**

*Source: EN 15194:2017:* mark indicating the minimum insertion depth of handlebar stem into fork steerer (fork stem) or seat post into frame.

**Model year**

*Source: ZEG:* the model year refers to the first production year that the series-manufactured pedelec was manufactured in the version in question and is not always identical with the year of manufacture. The year of manufacture may be before the model year in some cases. If no technical modifications are introduced to the series, production may continue of pedelecs from a previous model year.

**Mountain bike, MTB**

*Source: ISO 4210-2:* bicycle designed for use off-road on rough terrain, on public roads, and on public pathways, equipped with a suitably strengthened frame and other components, and, typically, with wide-section tyres with coarse tread patterns and a wide range of transmission gears.

**Negative deflection**

*Negative deflection or sag* is fork compression caused by body weight and gear (e.g. a backpack), the rider's position and the frame geometry.

**Off-road rough terrain**

*Source: EN 15194:2017:* rough gravel tracks, forest trails and other generally off-road tracks where tree roots and rocks are likely to be encountered.

### Operating instructions

*Source: ISO/DIS 20607:2018:* part of the user information that machine manufacturers provide to machine operators; it contains guidance, instructions and tips related to the use of the machine in all its life cycle phases.

### Placing on the market

*Source: Directive 2006/42/EC on Machinery, 17.05.2006,* Making available for the first time in the Community machinery or partly completed machinery with a view to distribution or use, whether for reward or free of charge.

### Pressure point

*Source: ZEG:* the pressure point on a brake is the point on the brake lever where the brake disc and brake pads respond and the braking process is initiated.

### Quick-release device, quick release

*Source: EN 15194:2017:* lever actuated mechanism that connects, retains or secures a wheel or any other component.

### Racing bicycle

*Source: ISO 4210-2:* bicycle designed for amateur rides at high speed and for use on public roads having a control and steering assembly with multiple grip positions to provide an aerodynamic posture, a multi-speed transmission system and a tyre width not greater than 28 mm with the fully assembled bicycle having a maximum mass of 12 kg.

### Rebound

The rebound defines the speed at which the fork rebounds after being loaded.

### Rechargeable battery, battery

*Source: DIN 40729:1985-05:* a rechargeable battery is an energy storage device that can store supplied electrical energy as chemical energy (charging) and release it as electrical energy when required (discharging).

### Seat post

*Source: EN 15194:2017:* component that clamps the saddle (with a bolt or assembly) and connects it to the frame.

### Shut-off speed

*Source: EN 15194:2017:* speed reached, by the pedelec, at the moment the current has dropped to zero or to the no load current value.

### Slippage

*Source: DIN 75204-1:1992-05:* the difference in relation to vehicle speed between the vehicle speed and the speed of its wheels at their circumference.

### Spare part

*Source: EN 13306:2018-02, 3.5:* item intended to replace a corresponding item in order to retain or maintain the original required function of the item.

### Suspension fork

*Source: EN 15194:2017:* front wheel fork incorporating controlled, axial flexibility to reduce the transmission of road-shocks to the rider.

### Suspension frame

*Source: EN 15194:2017:* frame incorporating controlled, vertical flexibility to reduce the transmission of road-shocks to the rider.

### Total deflection

*Source: Benny Wilbers, Werner Koch: Neue Fahrwerkstechnik im Detail (New chassis technology in detail):* The distance that the wheel travels between an unloaded and a loaded position is called total deflection. When at rest, the vehicle's mass is applied to the springs and reduces the total deflection by the *negative deflection* to the positive deflection.

### Wear

*Source: DIN 31051:* reduction in useful life (4.3.4), caused by chemical and/or physical processes.

### Weight of the ready-to-ride pedelec

*Source: ZEG:* the indicated weight for a ready-to-ride pedelec refers to the weight of a pedelec at the time of sale. The weight of each additional accessory must be added to this weight

### Wheel

*Source: ISO 4210 - 2:* unit or combination of hub, rim and spokes or disc, but excluding tyre assembly.

### Work environment

*Source: ISO 9000:2015:* set of conditions under which work is performed.

### Year of manufacture

*Source: ZEG:* the year of manufacture is the year in which the pedelec was manufactured. The production period is always from May to July the following year.

## 12.1 Abbreviations

Abbreviation	Meaning/derivation
ABS	Anti-blocking system
BLE	Bluetooth Low Energy
EPAC	Electric power-assisted cycle
PTW	Permitted total weight

Table 70: Table of abbreviations

## 12.2 Simplified terms

The following terms are used for better legibility:

Term	Meaning
Operating instructions	Original operating instructions
Damper	Rear frame damper
Specialist dealer	Bicycle specialist dealer
Motor	Drive motor, sub-system
Belt drive	Toothed belt drive

Table 71: Table of simplified terms



## 13 Appendix

### I. Directive declaration of conformity with RED Directive

#### LED Remote

Robert Bosch GmbH, Bosch eBike Systems,  
hereby declares that the LED Remote radio  
system type complies with Directive 2014/53/EU.  
The complete EU declaration of conformity is  
available online at:

<https://www.bosch-ebike.com/conformity>

## I. Original EC/EU Declaration of Conformity

### Manufacturer

Atala spa  
Via Della Guerrina, 108  
MONZA (MB), 20900, Italy

### Authorised representative for documentation\*

c/o Atala spa  
Via Della Guerrina, 108  
MONZA (MB), 20900, Italy

## I.

The machine, pedelec types:

KB196-xxKD	KETTLER B-750 FS1	E-MTB
KB197-xxKD	KETTLER B-750 FS2	E-MTB

Year of manufacture 2022 and year of manufacture 2023, complies with the following applicable EU provisions:

- Machinery Directive 2006/42/EC
- RoHS Directive 2011/65/EU
- Electromagnetic Compatibility Directive 2014/30/EU.

The safety objectives in the Low Voltage Directive 2014/35/EU have been met in compliance with Appendix I, No. 1.5.1 of the Machinery Directive 2006/42/EC.

The following harmonised standards have been applied:

- ISO 20607:2018 Safety machinery – Instruction handbook – General drafting principles
- EN 15194:2017 Cycles – Electrically power assisted cycles – EPAC Bicycles

The following other technical standards have been applied:

- EN 11243:2016: Cycles – Pannier racks for bicycles – Requirements and test methods



02.02.2023



Ing. Sergio Amodio, Product Manager

\* Community member who is authorised to compile the technical documentation

MY22K0b - 61\_1.0\_2/2/22

## 14 Keyword index

- A**
- Air valve, 39
    - position, 39
  - Articulated shaft,
    - maintain 186
  - Axle, 39
    - position, 39
    - torque, 70
- B**
- Basic cleaning 178
  - Battery housing, 49
  - Battery level indicator (battery), 49
  - Battery,
    - check, 87
    - clean, 178
    - dispose, 236
    - insert, 156
    - remove, 155, 156
    - ship, 82
    - transport, 82
    - position 33
    - technical data 64, 65
    - torques, 70
  - Battery, see rechargeable battery
  - Bead core, 42
    - position, 40
  - Bell,
    - check 176
    - use 153
  - Belt guard 19, 23
  - Belt sprocket, 47
  - Belt, 47
    - clean, 182
  - Bicycle for young adults, 256
  - Bike headset, see steering headset
  - Bowden cable, 44
    - check, 193
  - Brake cable, 44
    - torque, 71
  - Brake calliper, 45
    - position, 45
    - torque, 71
  - Brake disc, 45
    - check, 194
    - clean 181
    - replace, 233
    - position, 45
  - Brake lever, 45
    - service, 188
  - Brake linings, 45
    - check, 194
    - replace, 118, 233
    - retract, 118
    - position, 45
    - torque, 71
  - Brake,
    - check brake disc, 194
    - check brake linings, 194
    - check pressure point, 193
    - check, 176, 193
    - clean, 177
    - secure during transport 82
    - cable clip, 44
    - cover cap, 44
    - hydraulic, 44
    - insert pin, 44
    - knob, 44
    - mechanical, 44
    - union nut, 44
  - Brakes,-
    - replace, 118
  - Braking distance, 256
  - Break in operation, 84
    - carry out 85
    - prepare 85
  - Button,
    - Minus, 143
    - minus, 52, 158
    - On-Off (battery) 49
    - Plus, 143
    - plus, 52
    - Push assist, 143
    - push assist, 52, 158
- C**
- Cantilever brake,
    - torque, 72
  - Carbon seat post,
    - maintain, 185
  - Carbon suspension fork,
    - inspect, 216
  - Carcass, 41
    - position, 40
  - Cargo bike, 256
  - Cassette,
    - clean, 181
  - CE marking, 256
  - Chain guard 19, 23
  - Chain guard,
    - clean, 182
    - position 33
    - torques 75
  - Chain wheel, 47
  - Chain wheels,
    - clean, 181
  - Chain, 47
    - check 196
    - check for wear 196
    - check tension 196
    - clean, 182
    - maintain 187
    - replace, 233
    - tension, 233
    - position 33
    - position, 47
  - Chainring brake,
    - torque, 74
  - Charger, 48
    - dispose, 236
  - Chassis, 34
  - Child seat, 146
  - City and trekking bicycles, 256
  - Clamping force,
    - adjust quick release 90
    - check quick release, 90
  - Clock,
    - setting 144
  - Compression damper, 39
    - position, 39
  - Compression damping, 38
  - Consumables, 256
  - Continuous power rating 256
  - Control panel,
    - clean, 178, 180
  - Conventional valve, see Dunlop valve
  - Crank bearing,
    - torque, 75
  - Crank set,
    - torque, 75
  - Crown, 39
    - position, 39
- D**
- Decommissioning, 256
  - Derailleur gears,
    - check 199
  - Dimensions, 81
  - Disc brake, 256
    - torque, 71
  - Drive belt, 256
  - Drive system, 47
    - switch on, 157, 159
    - switching on, 143
    - electric, 48
  - Dual pivot rim brake,
    - torque, 72

Dunlop valve, see conventional valve  
 Dust seal, 39  
   position, 39  
**E**  
 eBike Flow,  
   - register 54  
   - registering, 141  
 Electrical control system, 256  
 Emergency stop 256  
 Emergency stop system 20, 24  
**F**  
 Factory settings,  
   - resetting 145  
 Fault, 256  
 Folding bicycle, 256  
 Fork end, 35, 39  
   position, 35, 39  
 Fork leg,  
   position, 35  
 Fork lock, 63  
   position 51  
 Fork steerer 257  
 Fork steerer, 35, 39  
   position, 35, 39  
 Fork, 35  
   - check 175  
   - maintain, 177  
   position 33  
   rigid, 36  
   SR SUNTOUR structure, 39  
   suspended, 258  
   suspension fork, 36  
 Fracture, 257  
 Frame battery,  
   - insert, 156  
 Frame, 34  
   - check 175  
   - clean, 179  
   - inspect, 213  
   - maintain, 177, 183  
   position 33  
 Freewheel,  
   torque, 72  
 French valve, see Presta valve  
 Front derailleur,  
   - clean, 181  
   torque, 79  
 Front light, 48  
 Front wheel brake,  
   - brake, 161  
 Front wheel, see Wheel  
**G**  
 Gear hub,  
   - inspect, 214

Gear shift,  
   - adjust dual-cable, Bowden-  
     cable-operated twist  
     grip shifter 200  
   - check 199  
   - check electric gear shift,  
     199  
   - switch gears, 162, 168  
 Guards,  
   - check 175  
**H**  
 Handbrake, 256  
   torque, 74  
 Handlebars, 35, 51  
   - check, 95, 198  
   - clean, 179  
   - maintain, 184  
   - use 153  
   - use bar ends 154  
   - use multi-position handle-  
     bars 153  
   position 33  
   torque, 75  
 Handles,  
   - check 176  
   - clean 179  
   - maintain, 185  
   - use leather handles 154  
 Headlight,  
   - adjust, 140  
   - check, 195  
   - clean 177  
   position 33  
   torque, 79  
 Headset, see steering headset  
 Hub gear,  
   - check 199  
 Hub,  
   - adjust ROHLOFF 200  
   - clean, 180  
   - maintain 186  
   - service 204  
   position, 40  
   torque, 76  
 Hydraulic brake system,  
   - check 193  
 Hydraulic lockout 63  
**I**  
 Initial commissioning, 87  
**J**  
 Jockey wheel,  
   - maintain 186  
**K**  
 Key,  
   plus, 158

Kickstand,  
   - clean, 179  
   - maintain, 184  
   - stability 201  
**L**  
 Language,  
   - selecting 144, 145  
 Leather handles,  
   - clean 179  
   - maintain, 185  
 Leather saddle,  
   - clean, 180  
   - maintain, 185  
 Level of assistance, 53, 55  
   - select 160  
   - select, 160  
   ECO, 53, 55  
   OFF, 53, 55  
   TOUR, 53, 55  
   TURBO, 53, 55  
 LIMOTEC seat post,  
   - fit 94  
 Lockout, 63  
   position 51  
**M**  
 Maintenance, 257  
 Manufacturer, 257  
 Mechanical,  
   - gear shift 199  
 Minimum insertion depth mark-  
 ing, 106  
 Minimum insertion depth, 257  
 Minus button, 52, 143, 158  
 Model year, 257  
 Motor cover 19, 23  
 Motor cover,  
   torques, 76  
 Motor, 33, 48  
   - clean, 178  
   technical data 64  
   torques 75  
 Mountain bike, 257  
 Mountain bike, see MTB  
 MTB, see mountain bike  
 Mudguard 19, 23  
 Mudguard,  
   - clean, 179  
   - maintain, 184  
 Mudguards,  
   - check, 175  
**N**  
 Nameplate,  
   position 33  
 Negative deflection, 257

- Nipple holes,  
- check, 192
- Nipple well,  
- check, 192
- O**
- Off-road tyres, 41
- On-board computer,  
- attaching, 142  
- charge battery, 158  
- clean 178  
- removing 142  
- removing, 142  
- securing 142  
torques, 70
- Operating instructions, 258
- P**
- Pannier rack battery,  
- remove, 155, 156
- Pannier rack,  
- care 184  
- change, 152  
- check 175  
- clean, 179  
- inspect, 213  
- use, 151  
position 33
- Patent seat post, 46
- Pedal,  
- clean, 177  
- fit 93  
- maintain, 186  
torque, 78
- Pedelec, 256  
- adjust 101  
- after each ride, 177  
- assemble 86  
- before each ride 150, 175  
- check, 189  
- clean 178  
- commission 87  
- initial inspection 202  
- inspect (specialist dealer)  
202  
- major inspection 202  
- sell, 95  
- service 183  
- ship, 82  
- transport, 82  
- unpacking 86  
- use 151
- Placing on the market, 258
- Plus button, 52, 143, 158
- Position 33
- Pressure point, 258
- Puncture protection belt, 42  
position, 40
- Push assist button, 52, 143,  
158
- Push assist,  
- use, 159
- Q**
- Q-Loc, 39  
position, 39
- Quick release, 258  
- inspect, 215
- Quick releases,  
- check 175
- R**
- Racing bicycle valve, see Presta  
valve
- Racing bicycle, 258
- Rear derailleur,  
- maintain, 186  
- position 47  
torque, 79
- Rear frame damper,  
- check 175  
- clean 177  
- inspect, 213  
- maintain, 204, 213  
structure, 132
- Rear light, 48  
- clean 177  
position 33
- Rear wheel brake, 45
- Rear wheel, see Wheel
- Rebound adjuster, 39  
position, 39
- Rebound adjustment, 63
- Rebound damping, 38
- Rebound, 258
- Rechargeable battery, 49, 258
- Rechargeable battery, see bat-  
tery
- Reflector,  
position, 35
- Reflectors,  
- clean 177
- Retainer guard, 49
- Riding light,  
- adjust, 140  
- check, 176, 195  
- switch off 159  
- switch on 159
- Rim brake locking lever 44
- Rim, 42  
- replace, 233  
position, 40
- Rims,  
- maintain, 185
- Road tyres, 41
- S**
- Saddle, 152  
- change the seat length,  
108  
- check 198  
- clean, 179  
- determine saddle height,  
106, 108  
- use, 152  
position 33
- Safety guards, 23
- Sag setting wheel, 39  
position, 39
- Sag,  
setting wheel position 51  
setting wheel, 39
- Scalverand valve, see Presta  
valve
- Seat post, 46, 258  
- check 176, 198  
- clean, 179  
- inspect, 217  
- maintain, 185  
- patent seat post 46  
- suspension seat post 46  
position 33  
remote control torque, 72  
torque, 72
- Securing hook, 49
- Settings,  
- changing 144
- Shifter,  
- clean, 181  
- maintain, 186  
torque, 78
- Shut-off speed, 258
- Slicks, 41
- Slippage, 258
- Spare part, 258
- Spoke nipples, 43  
- maintain, 186  
position, 40
- Spokes, 43  
- check, 192  
- replace 233  
position, 40
- Stanchion, 39  
position, 39
- Start screen, 143
- Steering headset 34

- Steering headset,
  - grease, 214
  - inspect, 214
- Steering system, 34
- Stem, 34
  - adjust 151
  - check, 95, 198
  - clean, 179
  - inspect, 214
  - maintain, 184
  - position 33
  - torque, 80
- Suspension fork, 258
  - clean 177, 179
  - inspect, 216
  - maintain, 177, 183
- Suspension seat post 46
- Suspension seat post,
  - clean, 177
  - maintain, 185
- Switching element,
  - clean, 180
- T**
- Total deflection 258
- Trailer, 147
- Transportation, 81
- Transporting, see Transportation
- Tread, 41
  - position, 40
- Tube,
  - replace, 233
- Tyre design types, 40
- Tyre pressure, 40
  - change, 189
  - check, 189
- Tyre size, 40
- Tyre,
  - position, 40
- Tyres, 40
  - check, 191
  - clean 180
- Tyres,- Tube-type tyres 40
- U**
- Underride guard,
  - torque, 80
- USB cover,
  - check 176
- USB port,
  - use, 158
- V**
- Valve, 40
  - Dunlop valve, 42
  - position, 40
- V-Brake brake,
  - torque, 80
- Vehicle,
  - technical data 64
- W**
- Wear, 258
- Weight,
  - shipping weight, 81
  - weight, 81
- Wheel, 40, 259
  - check concentricity 175
  - check, 189
  - fit 88, 89, 92
- Winter break, see Break in operation
- Work environment, 259
- Y**
- Year of manufacture, 259